

[54] WATER SWEEPER

[75] Inventor: C. Ray Newman, Houston, Tex.

[73] Assignee: Rol-Dri, Inc., Houston, Tex.

[**] Term: 14 Years

[21] Appl. No.: 750,939

[22] Filed: Dec. 15, 1976

[51] Int. Cl. D23-01

[52] U.S. Cl. D23/35

[58] Field of Search D23/19-46;
239/287

2,889,994	6/1959	French	D23/35 X
3,118,607	1/1964	Rocher	239/287 X
3,158,892	12/1964	Bridger et al.	239/287 X
3,202,362	8/1965	Wright	239/287
3,998,387	12/1976	Maasberg	239/287 X

Primary Examiner—James R. Largen
Attorney, Agent, or Firm—Michael P. Breston

[57] CLAIM

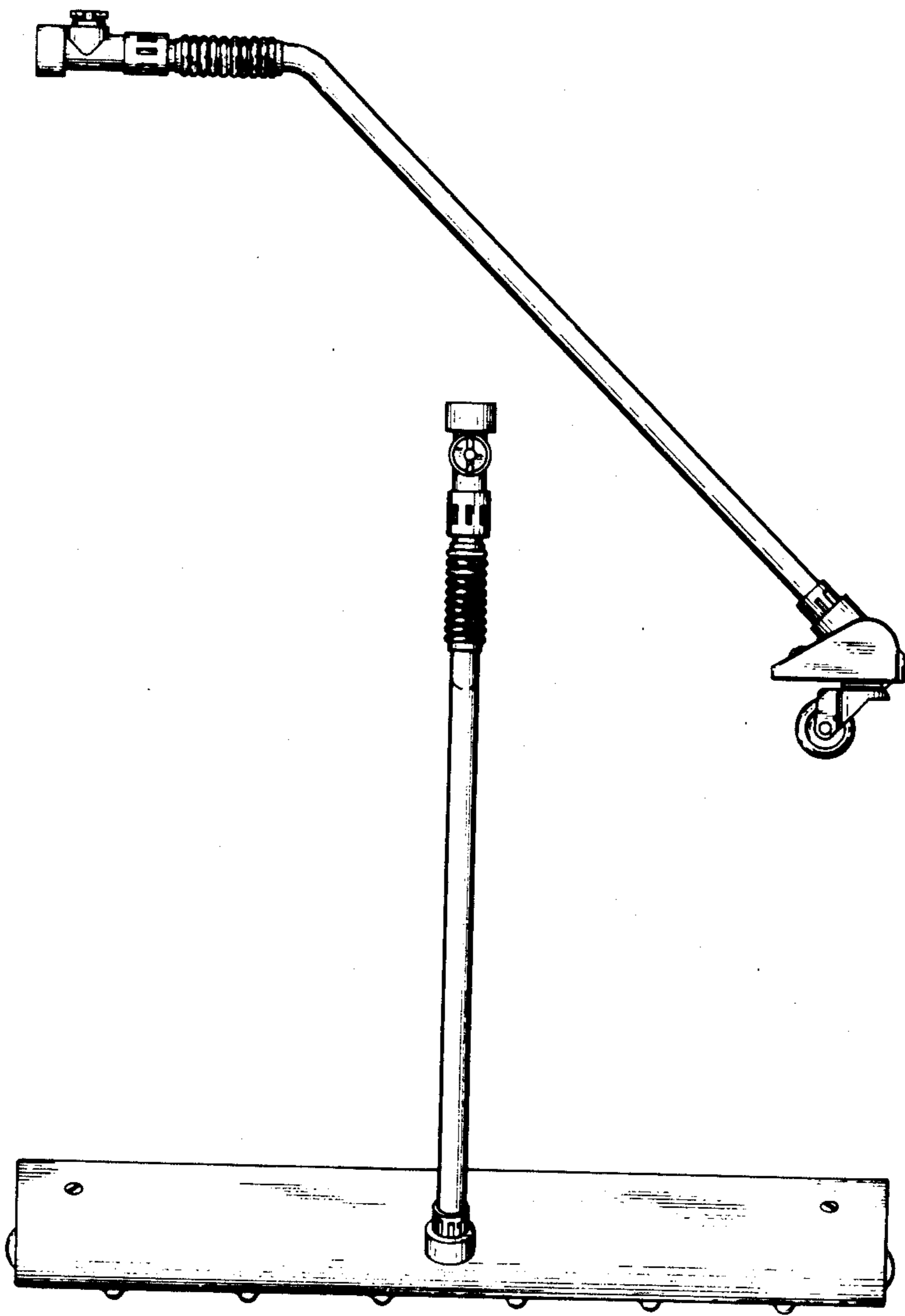
The ornamental design for a water sweeper, substantially as shown.

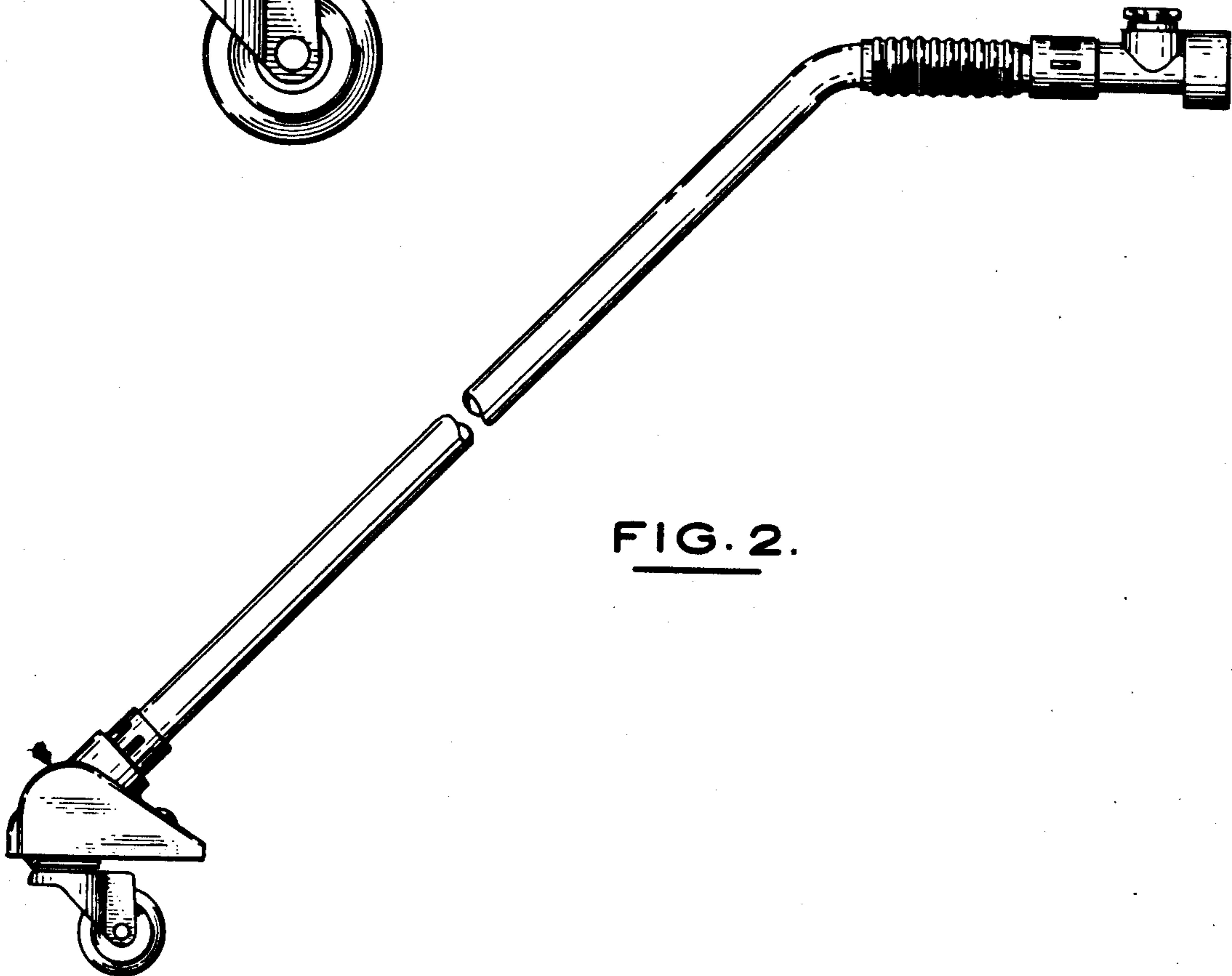
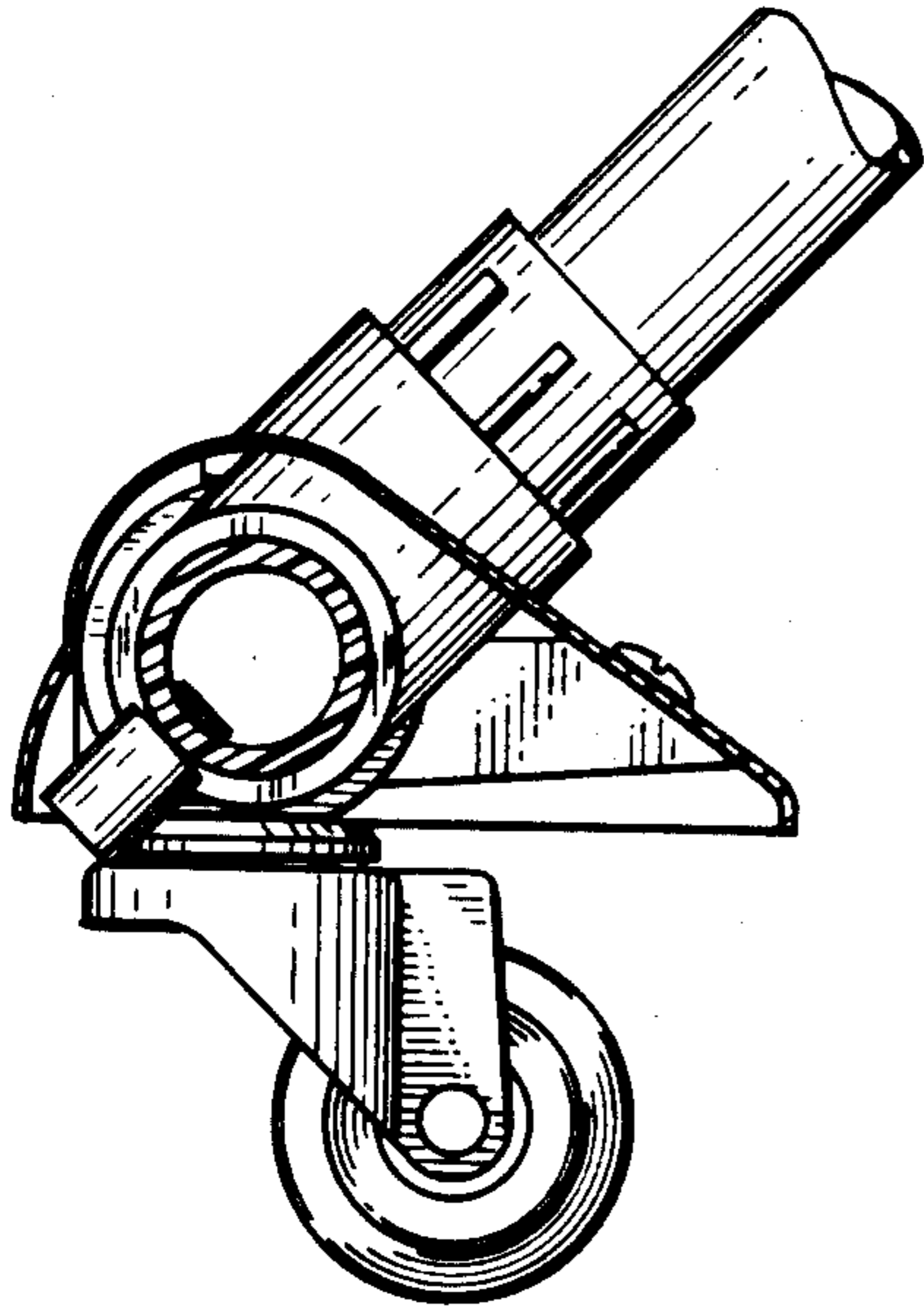
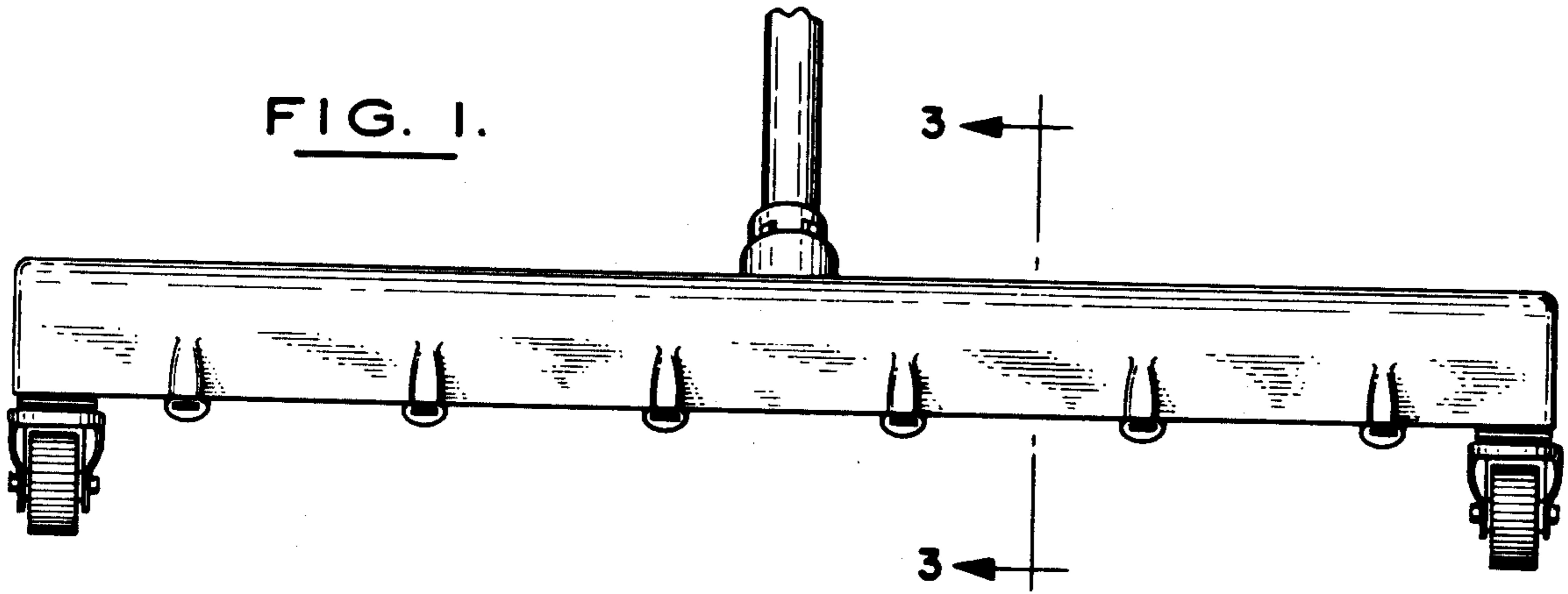
DESCRIPTION

FIG. 1 is a front elevational view of the lower portion of the water sweeper showing my new design; FIG. 2 is a side elevational view thereof, with a portion of the connecting tube broken away; FIG. 3 is a cross-sectional view taken on line 3—3 of FIG. 1; FIG. 4 is an elevational view taken from the side opposite that shown in FIG. 2; and FIG. 5 is a top plan view thereof.

[56] References Cited
U.S. PATENT DOCUMENTS

D. 201,240	6/1965	Beinert	D23/35
D. 229,932	1/1974	Goodrich	D23/34
D. 243,610	3/1977	Craig	D23/35
D. 244,532	5/1977	Poston	D23/35
2,595,933	5/1952	Gilbertsen	239/287
2,692,163	10/1954	Geel	D23/35 X





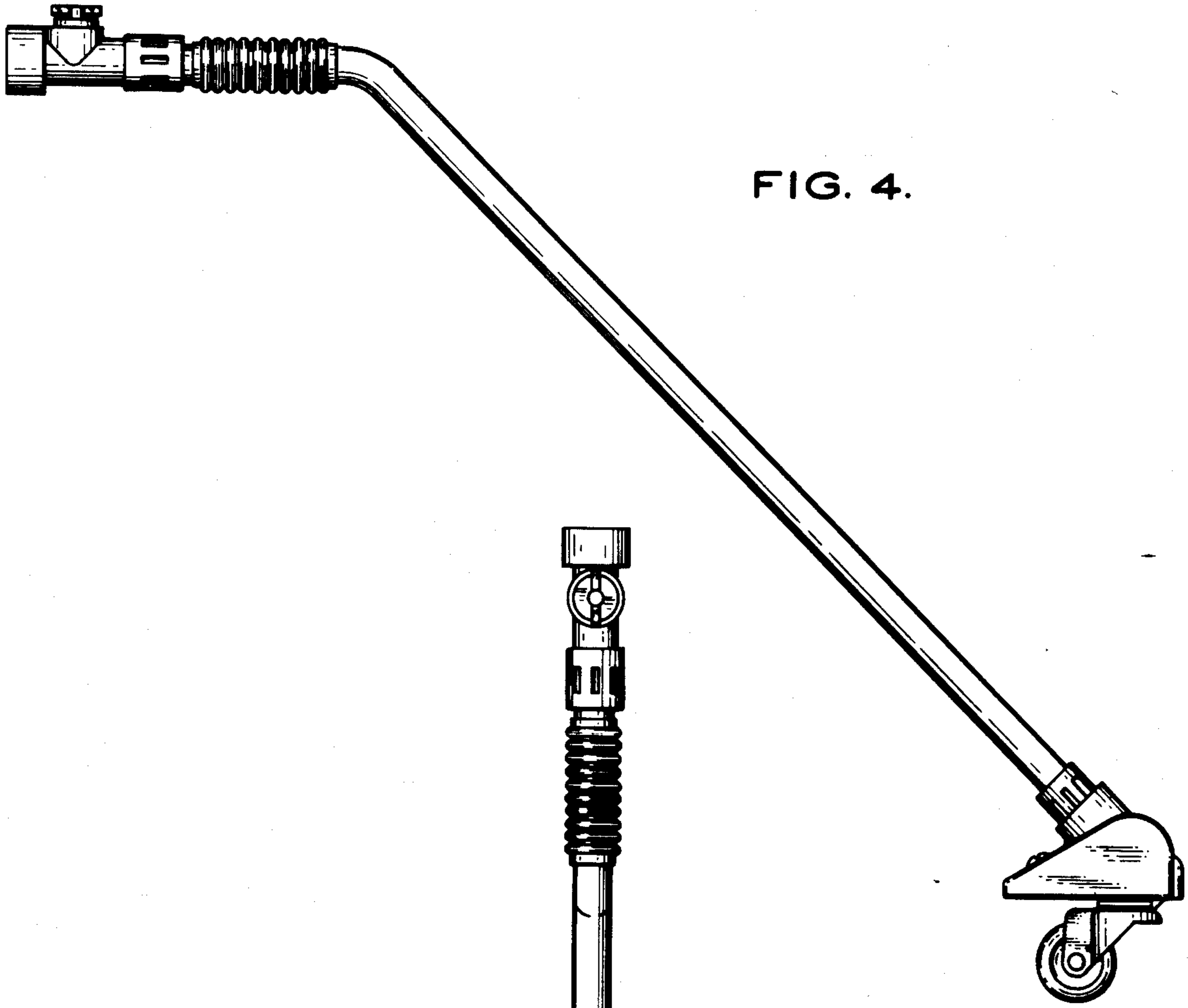


FIG. 4.

FIG. 5.

