

[54] COMBINED DESK TRAY AND HOLDER FOR FLAT ARTICLES

[75] Inventor: Edmond E. Theobald, Lymington, England

[73] Assignee: Top Secret Limited, Hampshire, England

[**] Term: 14 Years

[21] Appl. No.: 749,266

[22] Filed: Dec. 10, 1976

[30] Foreign Application Priority Data

Jun. 23, 1976 [GB] United Kingdom 976207/76

[51] Int. Cl. D19-02

[52] U.S. Cl. D19/75; D19/77; D19/85; D19/90

[58] Field of Search D19/65, 75, 77, 85, D19/90, 92, 95, 100; D7/72, 73; D87/1 R; D6/106, 107

[56] References Cited

U.S. PATENT DOCUMENTS

D. 41,026	12/1910	Paige	D19/75
D. 55,266	5/1920	Fuller	D19/78
D. 115,319	6/1939	Posnack	D19/90
D. 115,567	7/1939	Posnack	D19/85
D. 227,510	6/1973	Pisciotta	D19/90

Primary Examiner—Joel Stearman

Assistant Examiner—George P. Word

[57] CLAIM

The ornamental design for a combined desk tray and holder for flat articles, as shown and described.

DESCRIPTION

FIG. 1 is a perspective view of a combined desk tray and holder for flat articles showing my new design; FIG. 2 is a right side elevational view; FIG. 3 is a bottom plan view; and FIG. 4 is a rear elevational view.

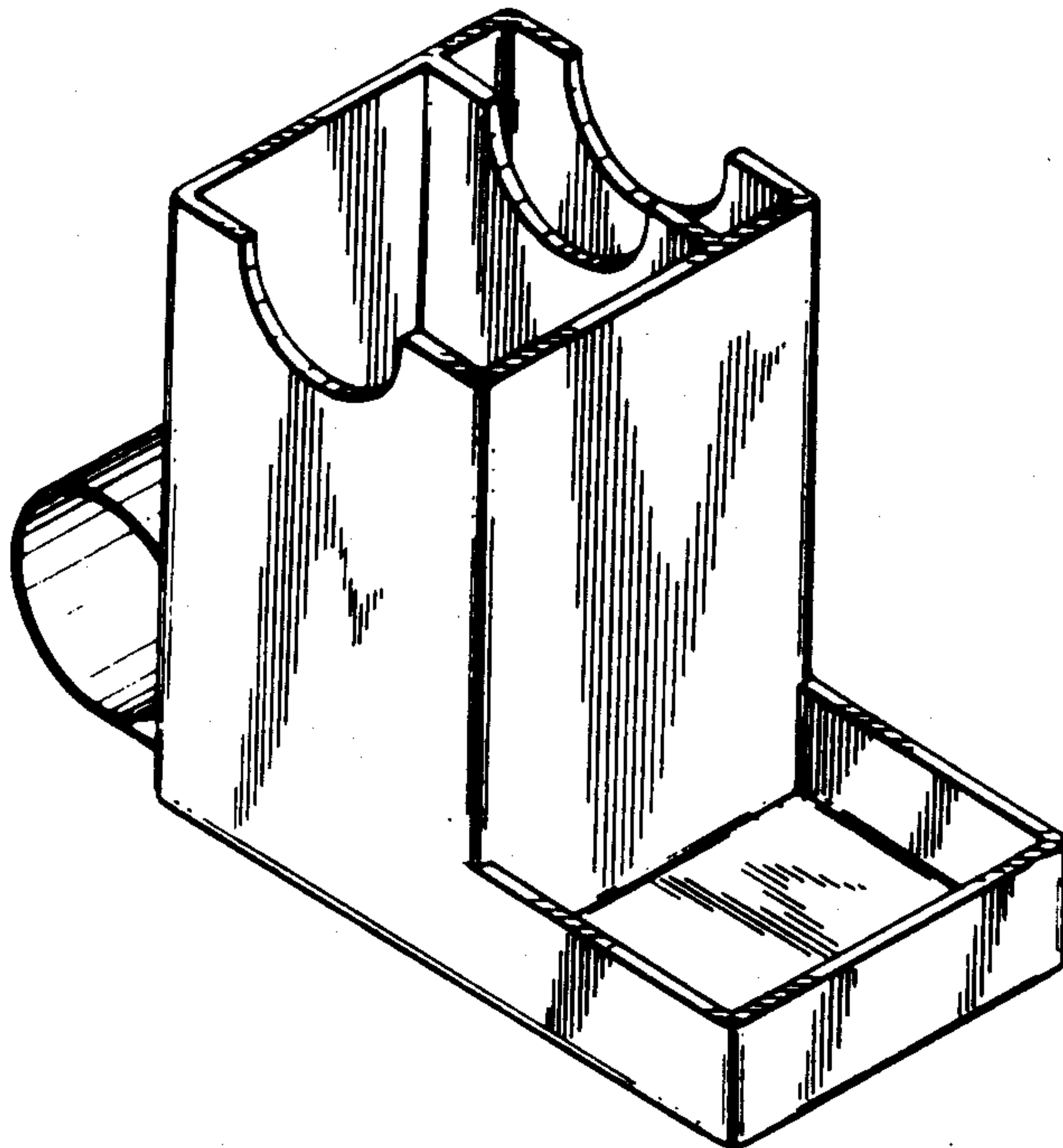


Fig. 1.

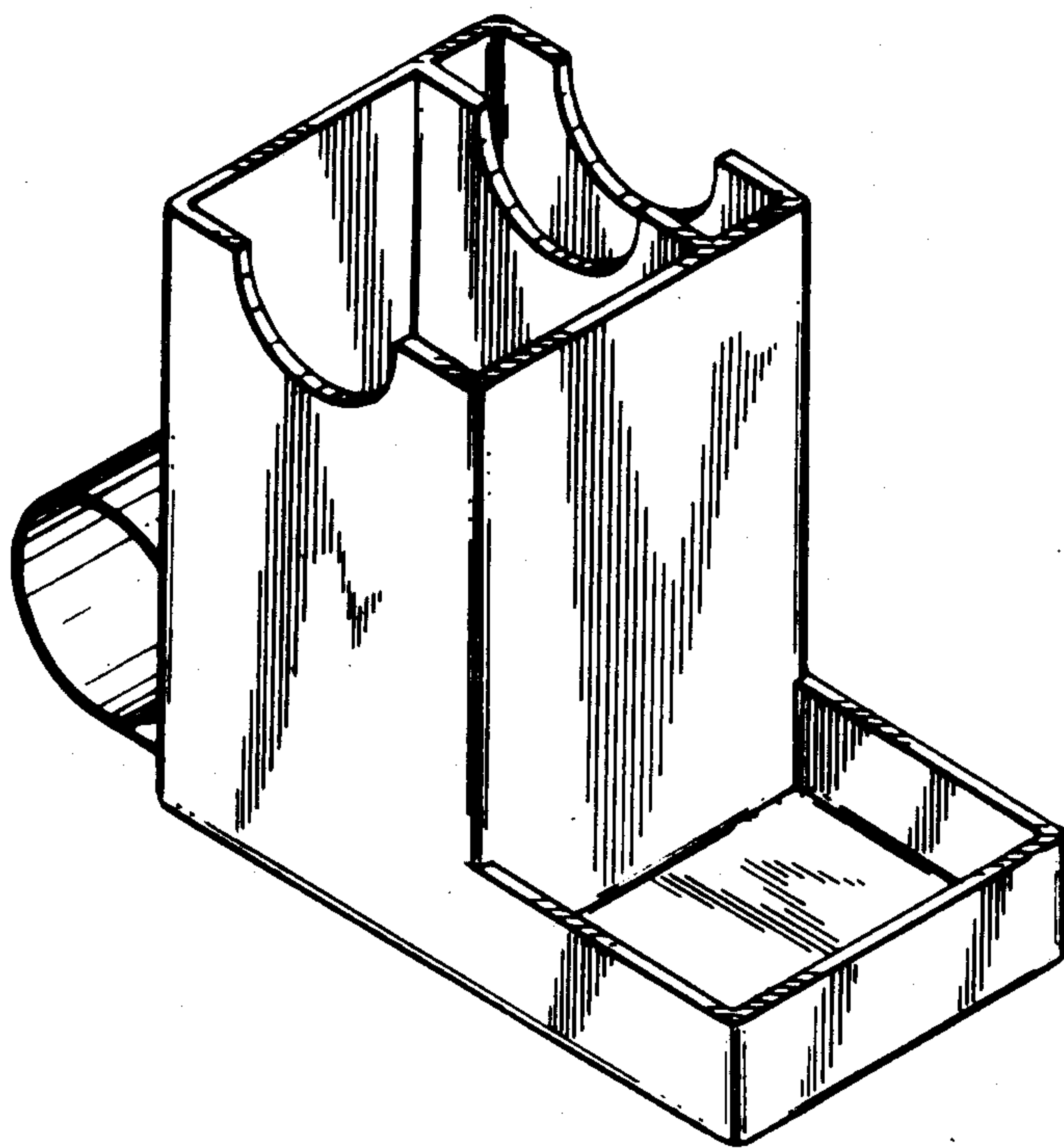


Fig. 2.

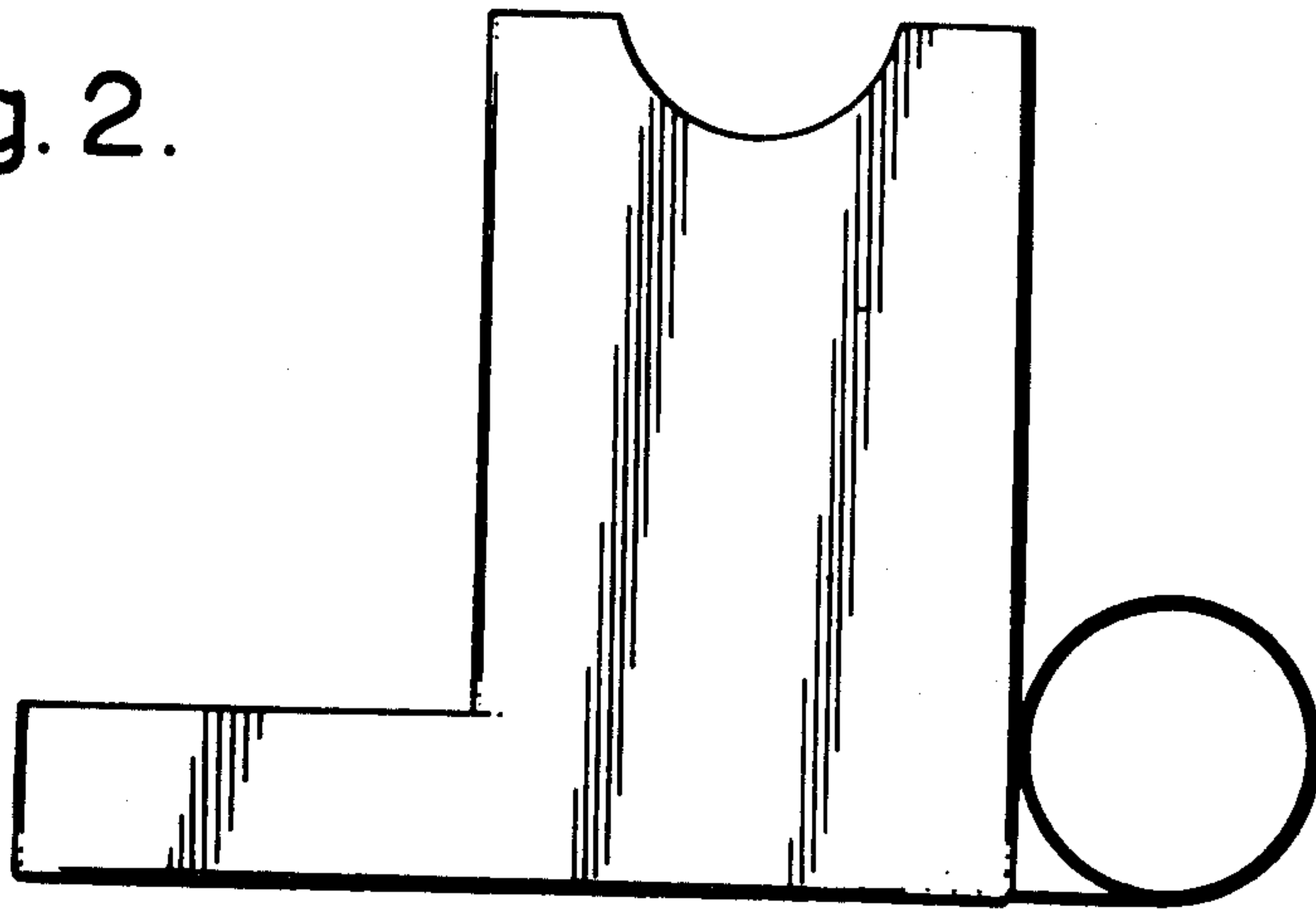


Fig. 3.

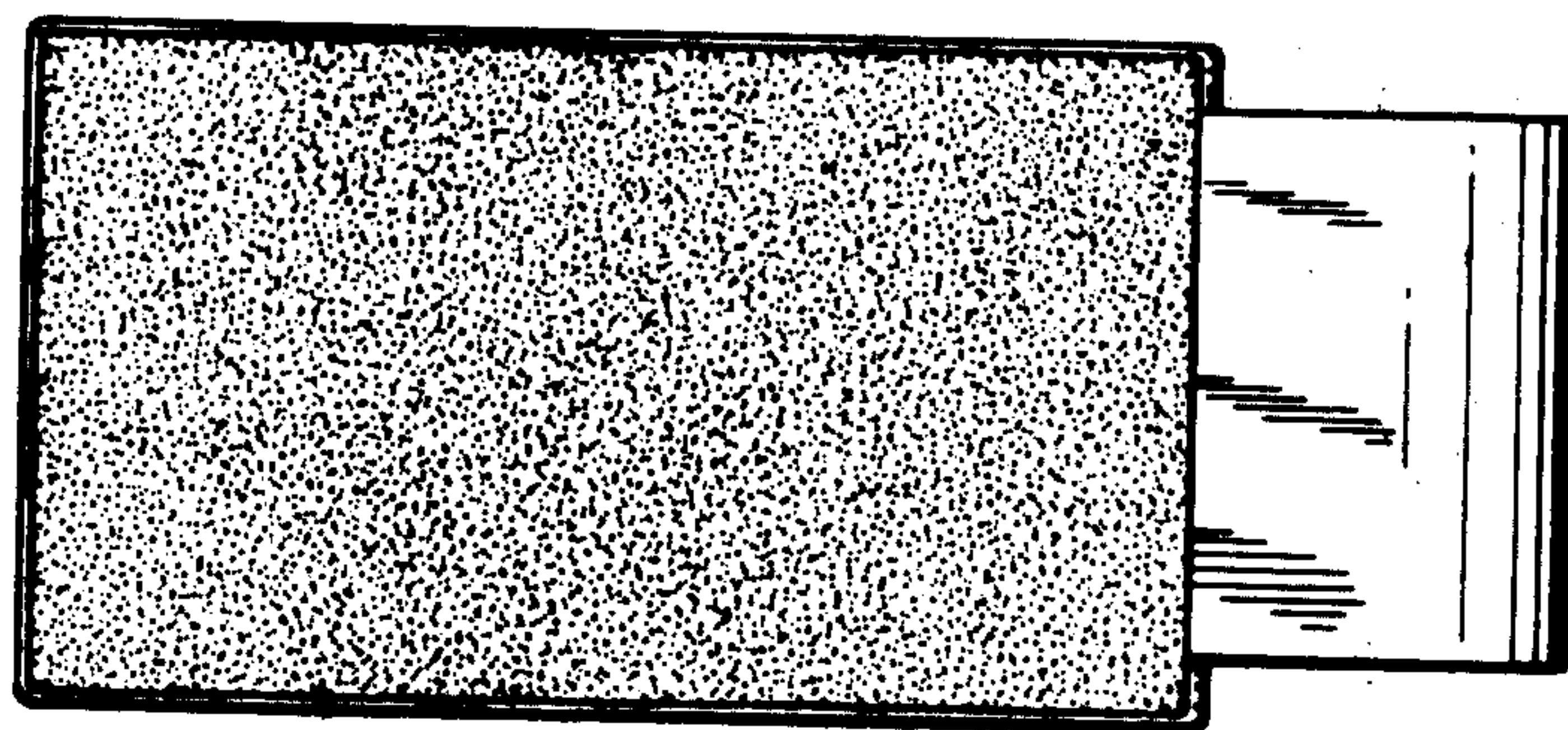


Fig. 4.

