

[54] COLORIMETER

[75] Inventor: David L. Stern, Baltimore, Md.

[73] Assignee: The Baltimore Spice Company, Baltimore, Md.

[**] Term: 14 Years

[21] Appl. No.: 802,602

[22] Filed: Jun. 2, 1977

[51] Int. Cl. D10-04

[52] U.S. Cl. D10/46; D10/81

[58] Field of Search D24/8, 17; D10/81, 46, D10/102, 103, 75; 356/180, 181, 182, 183, 184, 185, 39, 40, 41; 23/230 B

[56] References Cited

U.S. PATENT DOCUMENTS

D. 221,994 9/1971 Gemmill D10/47

D. 241,042	8/1976	Kupiec	D10/46
3,026,182	3/1962	Jankowski	356/182 X
3,441,352	4/1969	Hughes	356/39 X
3,565,535	2/1971	Monell	356/39
3,676,007	7/1972	Kiess	356/184

OTHER PUBLICATIONS

Cole-Parmer Cat.-'75-'76-p. 97-colorimeter at top.

Primary Examiner—Nelson C. Holtje

Attorney, Agent, or Firm—Lawrence I. Field

[57] CLAIM

The ornamental design for a colorimeter, substantially as shown and described.

DESCRIPTION

FIG. 1 is a front and top left perspective view of a colorimeter showing my new design; FIG. 2 is a right side elevational view thereof; FIG. 3 is a rear elevational view thereof.

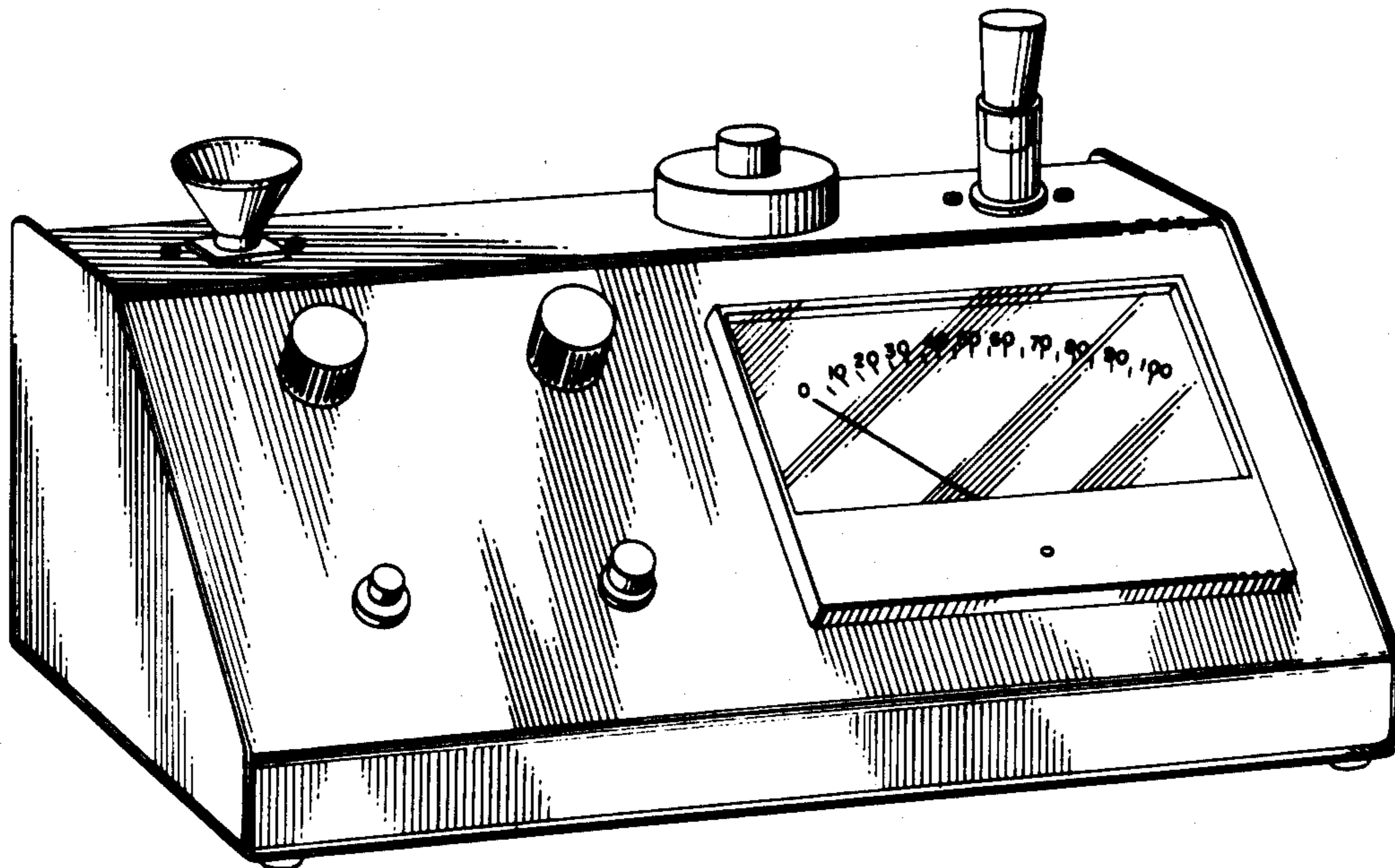


FIG. 1.

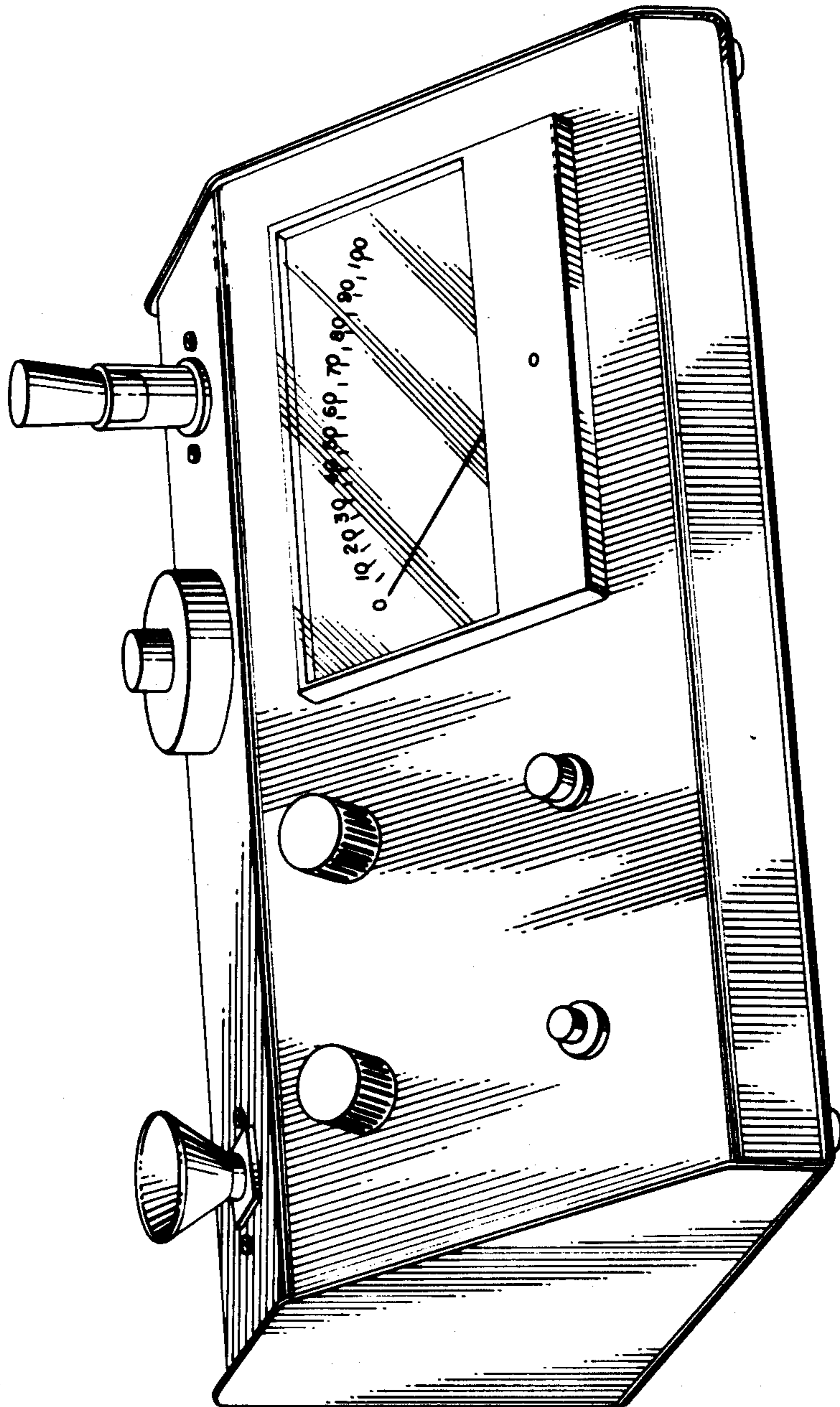


FIG. 2.

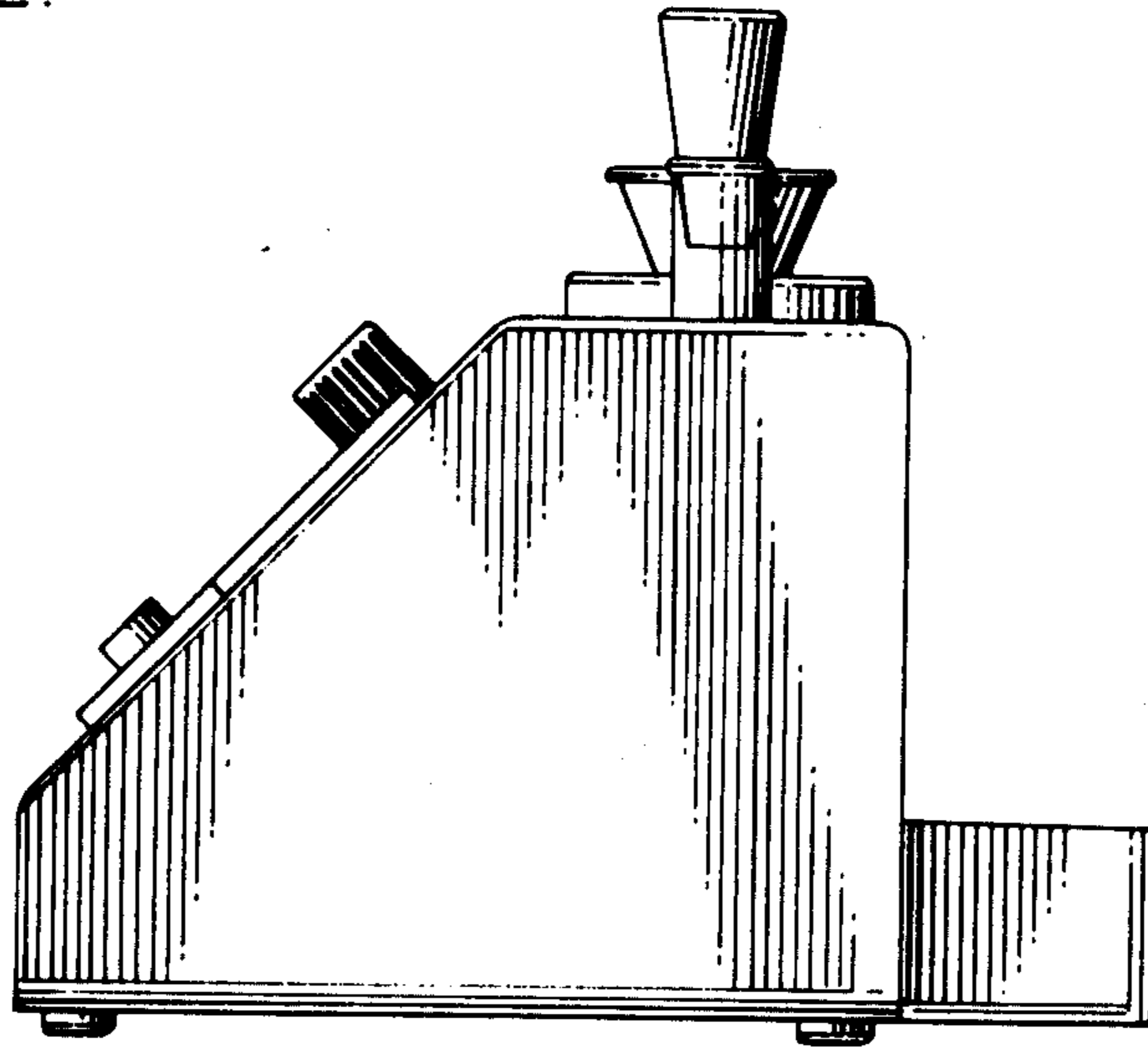


FIG. 3.

