

[54] EXERCISING DEVICE

[76] Inventor: Stan Gibson, 4060 No. 5 Road,
Richmond, B. C., Canada

[**] Term: 14 Years

[21] Appl. No.: 788,436

[22] Filed: Apr. 18, 1977

[51] Int. Cl. D21-02

[52] U.S. Cl. D34/5 K

[58] Field of Search D34/5 K; 272/93, 96,
272/109, 67, 68, 116, 117, 125, 126, 135, 136,
140, 144

[56] References Cited

U.S. PATENT DOCUMENTS

D. 202,198	9/1965	Wilson	D34/5 K
3,062,543	11/1962	Shaboo et al.	272/126
3,323,796	6/1967	Carlson	272/93

Primary Examiner—Winifred E. Herrmann

Assistant Examiner—C. A. Rademaker

Attorney, Agent, or Firm—Richard W. Seed

[57] CLAIM

The ornamental design for an exercising device, as shown.

DESCRIPTION

FIG. 1 is a side elevational view of an exercising device showing my new design; and

FIG. 2 is a perspective view of the side opposite that shown in FIG. 1.

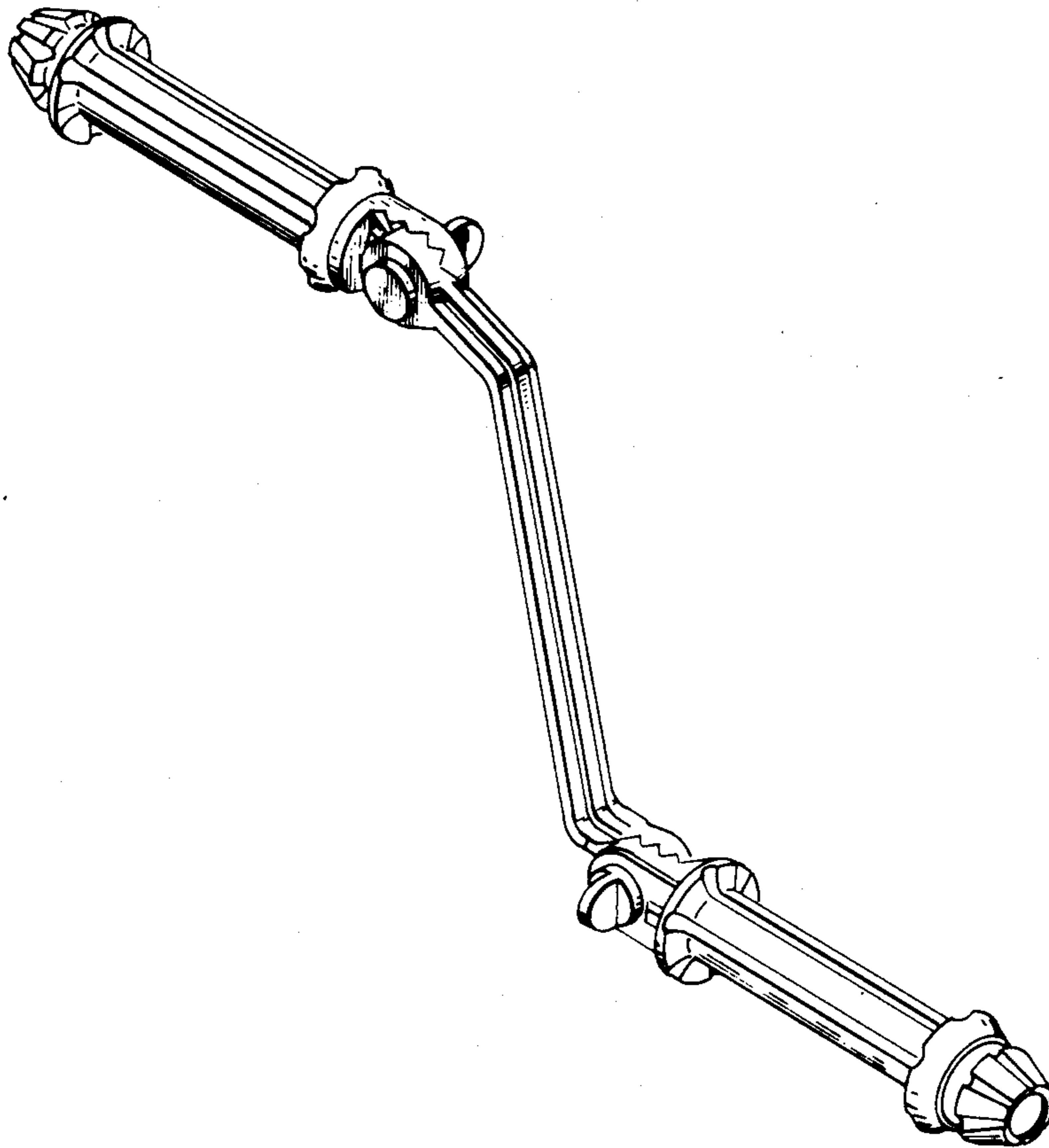


FIG. 1

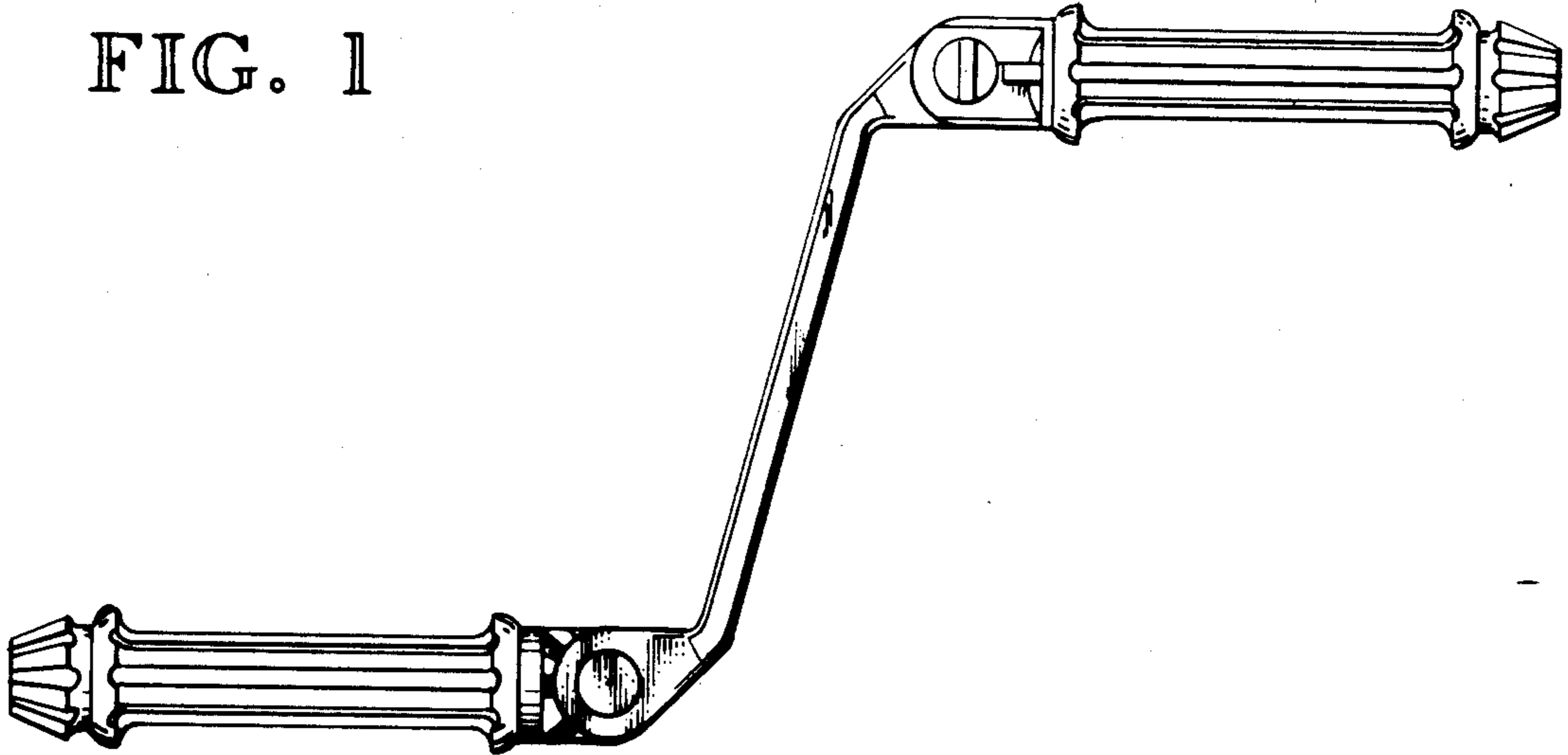


FIG. 2

