

[54] RAZOR BLADE CARTRIDGE

[75] Inventor: Evan N. Chen, Fairfield, Conn.

[73] Assignee: Warner-Lambert Company, Morris Plains, N.J.

[**] Term: 14 Years

[21] Appl. No.: 716,609

[22] Filed: Aug. 23, 1976

[51] Int. Cl. D28-03

[52] U.S. Cl. D28/47

[58] Field of Search D28/44-48; 30/32, 34 R, 47, 50, 346.58, 346.59

[56] References Cited

U.S. PATENT DOCUMENTS

D. 243,638	3/1977	Poisson	D28/47
3,785,051	1/1974	Dawidowicz et al.	30/32 X
4,026,016	5/1977	Nissen	30/47

FOREIGN PATENT DOCUMENTS

1433594 4/1976 United Kingdom 30/47

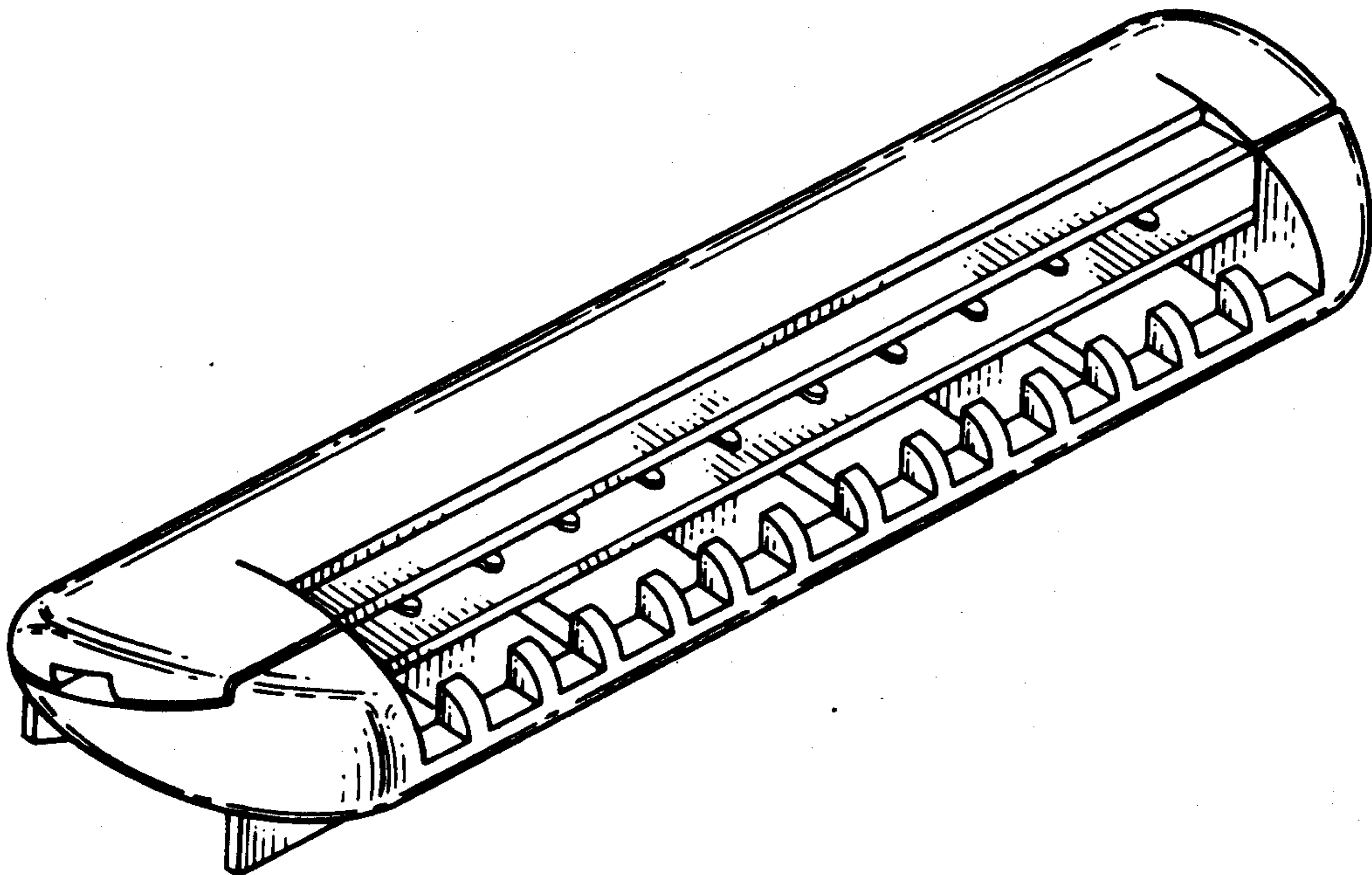
Primary Examiner—Louis S. Zarfes
Attorney, Agent, or Firm—Albert H. Graddis

[57] CLAIM

The ornamental design for a razor blade cartridge, substantially as shown and described.

DESCRIPTION

FIG. 1 is a top perspective view of a razor blade cartridge showing my new design; FIG. 2 is a front elevational view of the cartridge of FIG. 1; FIG. 3 is a left side elevational view of the cartridge of FIG. 1; FIG. 4 is a rear elevational view of the cartridge of FIG. 1; and FIG. 5 is a bottom plan view of the cartridge of FIG. 1.



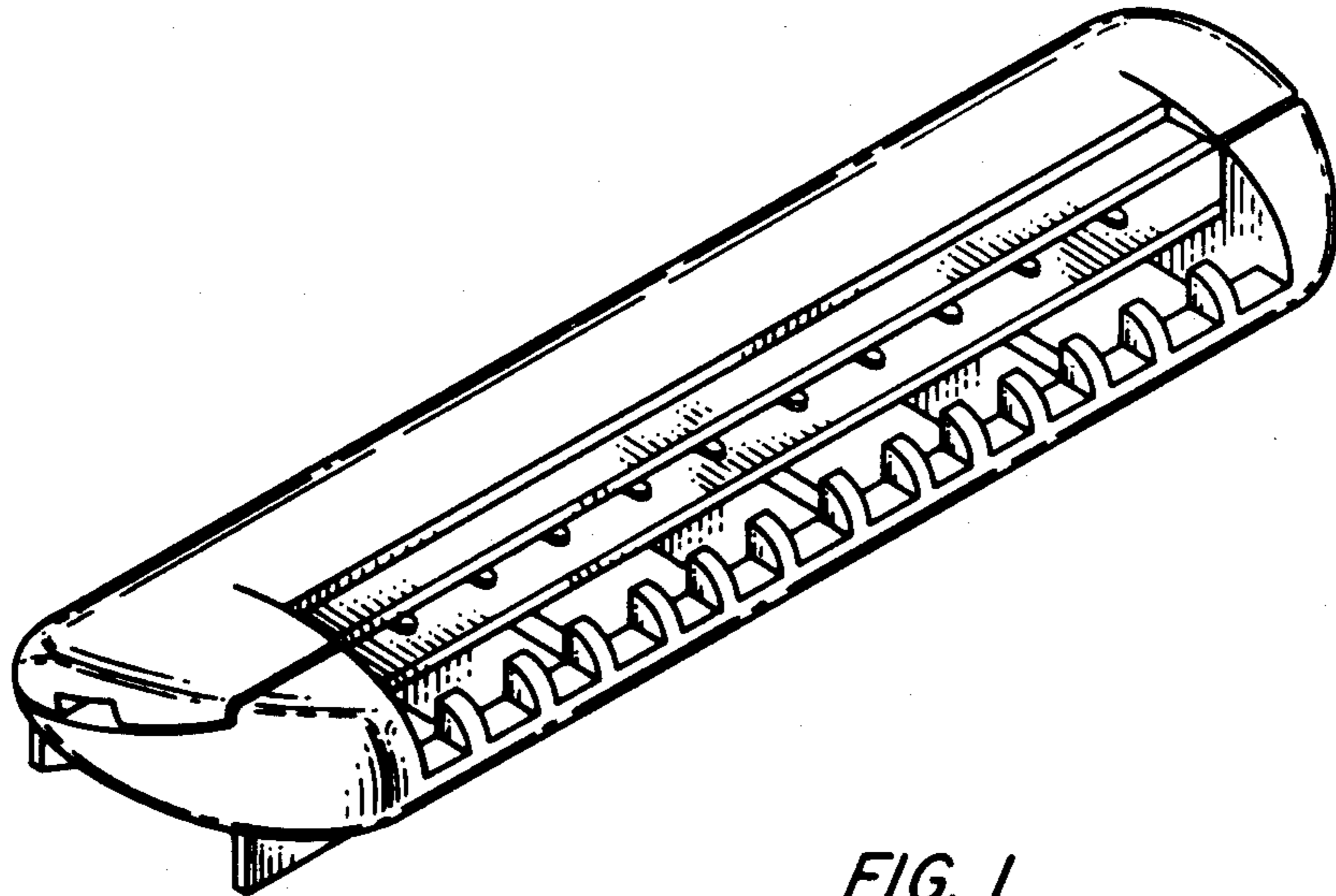


FIG. 1

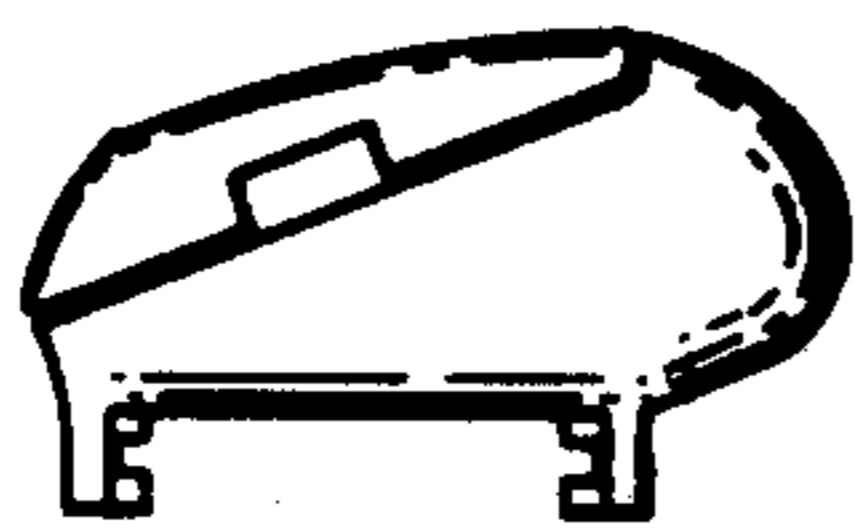


FIG. 3

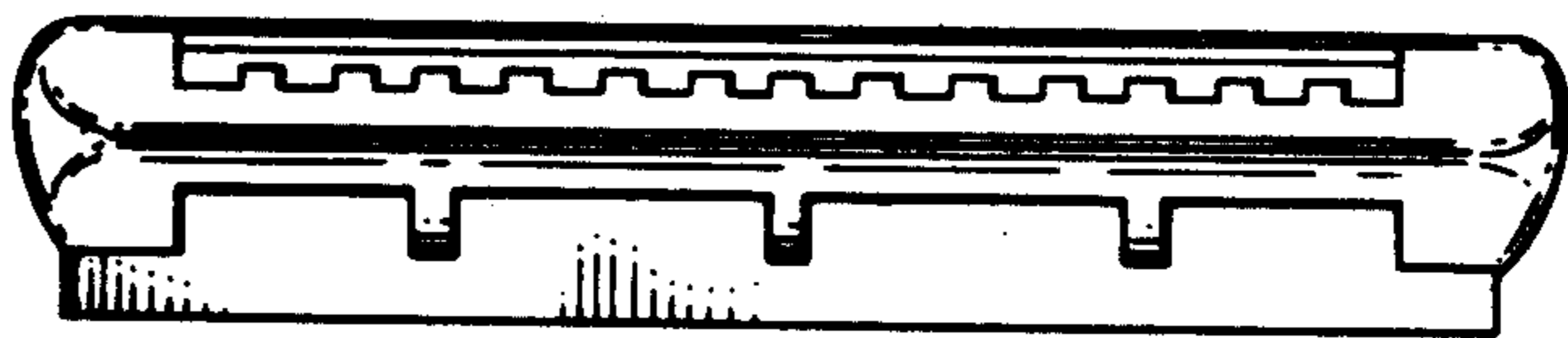


FIG. 2

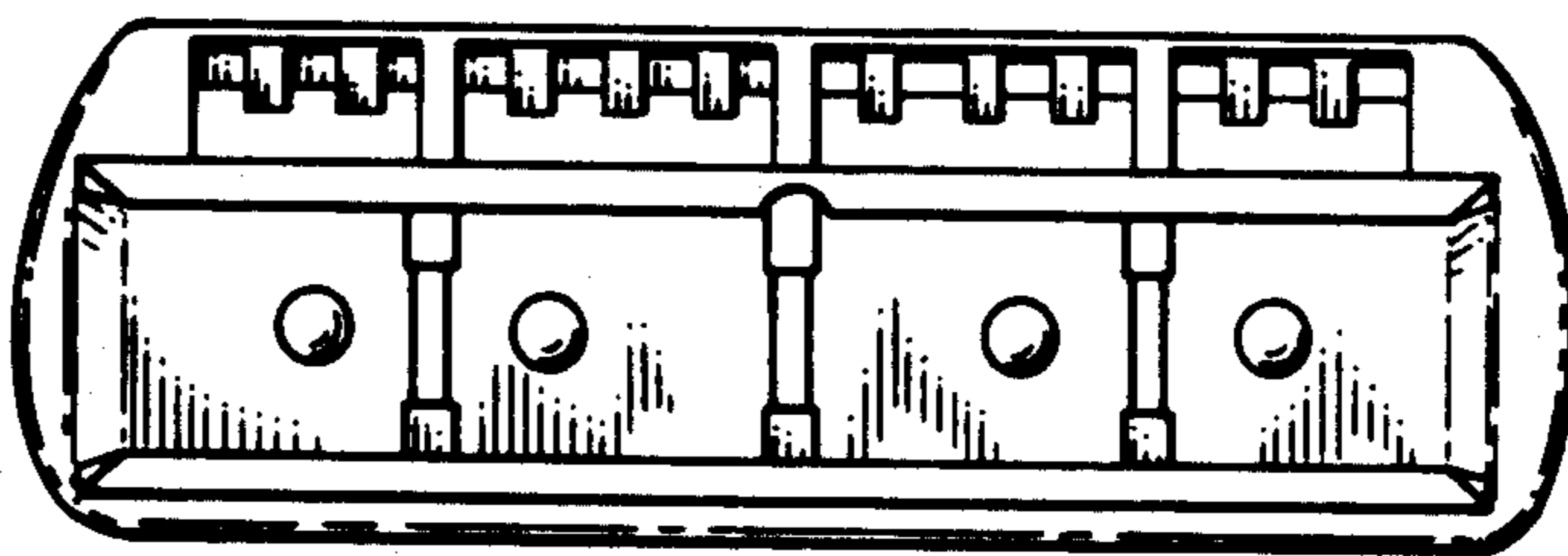


FIG. 5

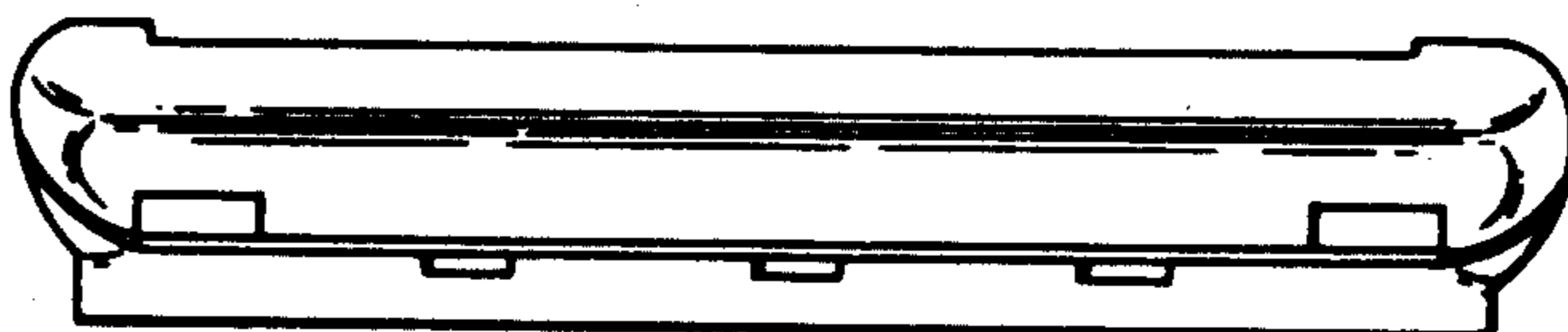


FIG. 4