

[54] UNIVERSAL JOINING SECTION FOR LAWN AND GARDEN EDGING

[75] Inventor: Lawrence R. Martinelli, Chicago, Ill.

[73] Assignee: United States Gypsum Company, Chicago, Ill.

[**] Term: 14 Years

[21] Appl. No.: 783,104

[22] Filed: Mar. 31, 1977

[51] Int. Cl. D25-01

[52] U.S. Cl. D25/75; D25/38; D25/49; D25/77

[58] Field of Search D25/73, 74, 75, 76, D25/77, 78, 79, 94, 95, 96, 49, 53, 38, 43; D1/13, 21; D15/1; D8/361, 373, 376, 380, 384, 400, 499

[56] References Cited

U.S. PATENT DOCUMENTS

D. 222,443 10/1971 Szymanski D25/75
1,014,611 1/1912 Rush D25/75 X

Primary Examiner—A. Hugo Word
Attorney, Agent, or Firm—Donnie Rudd

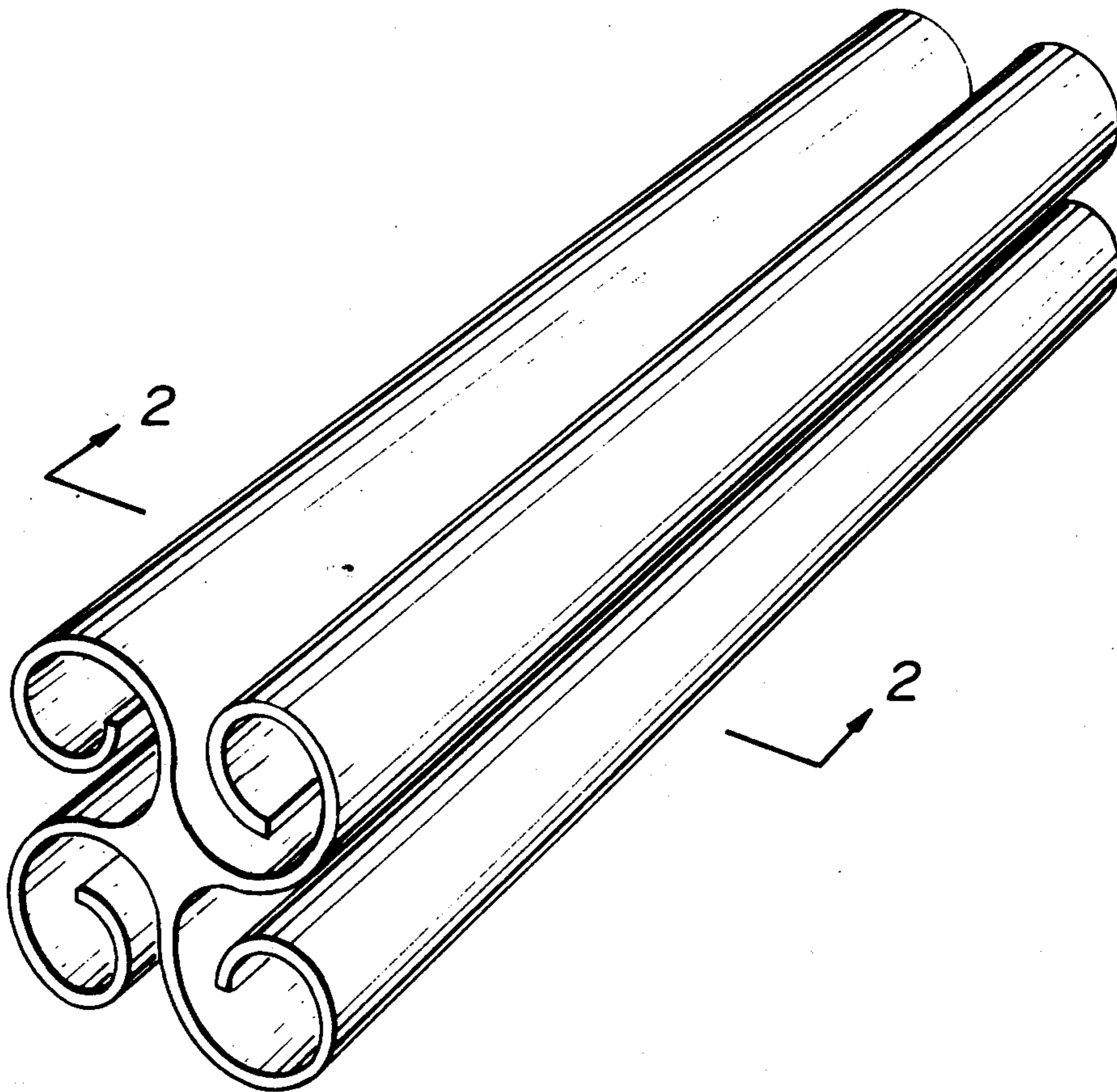
[57] CLAIM

The ornamental design for a universal joining section for lawn and garden edging, substantially as shown and described.

DESCRIPTION

FIG. 1 is a perspective view of a universal joining section for lawn and garden edging showing my new design.

FIG. 2 is a sectional view taken along line 2—2 of FIG. 1.



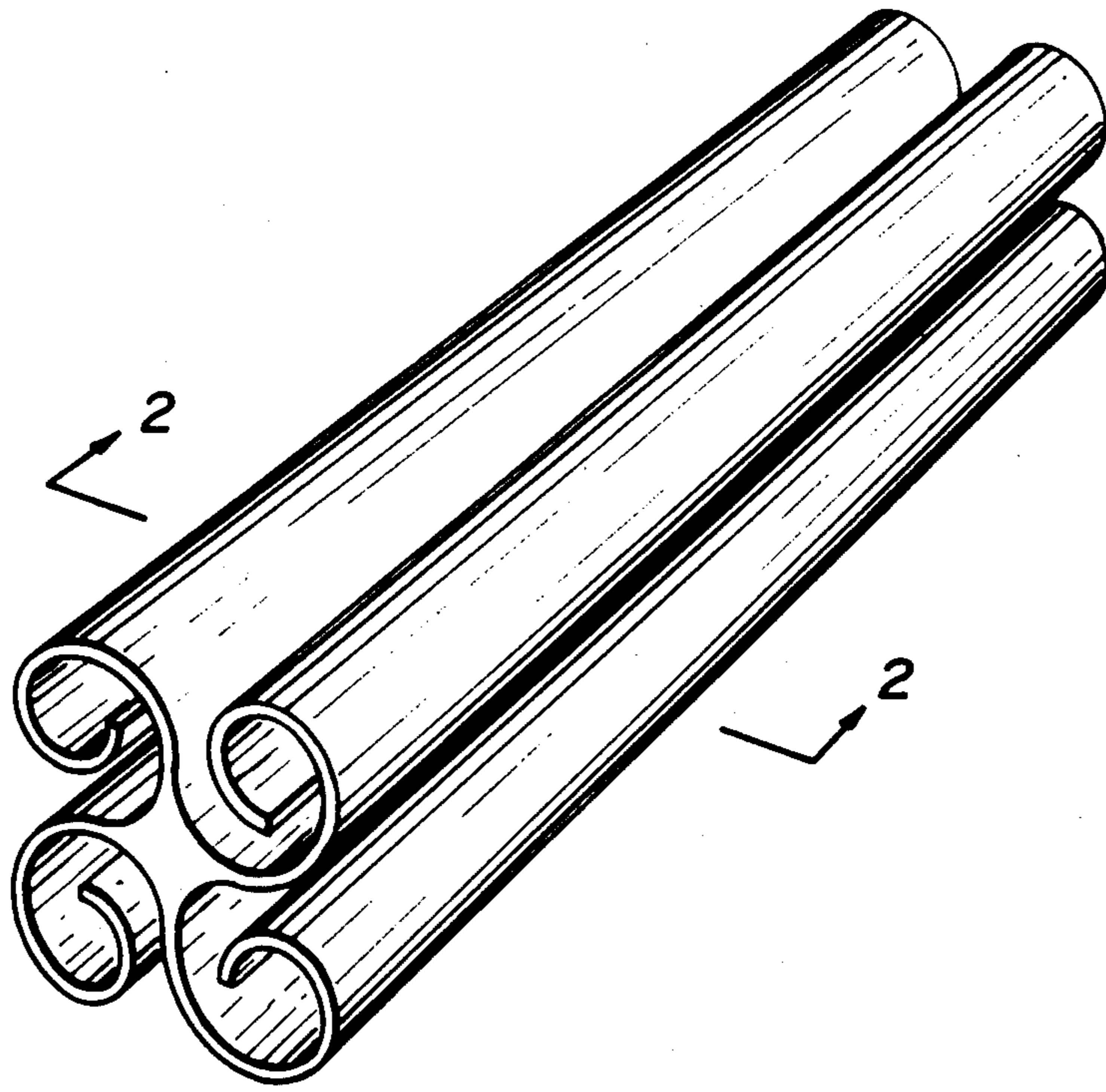


Fig. 1

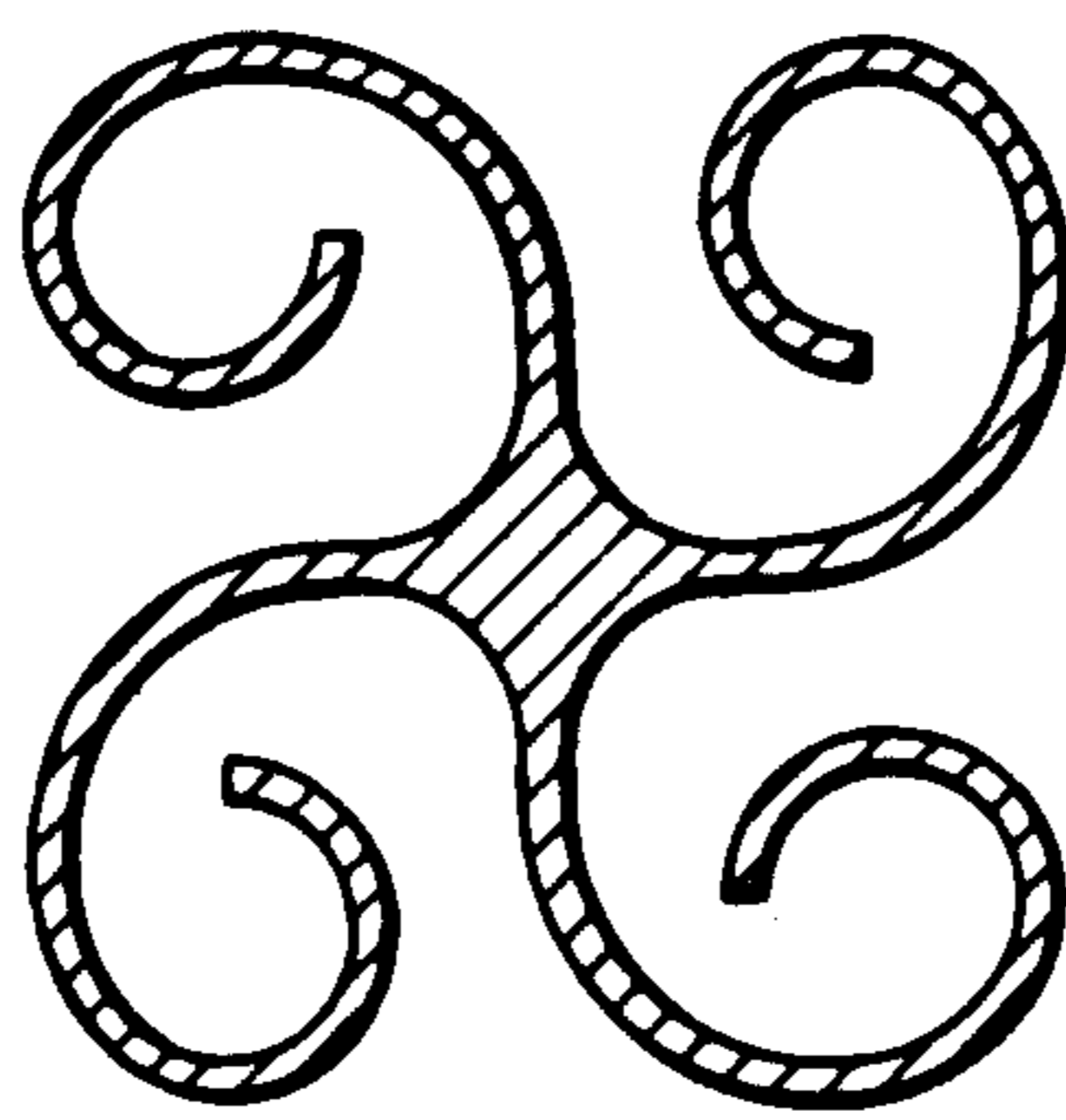


Fig. 2