

[54] STROBOFLASH

[75] Inventor: Shuji Ozawa, Tokyo, Japan

[73] Assignee: Sunpak Corporation, Tokyo, Japan

[\*\*] Term: 14 Years

[21] Appl. No.: 799,750

[22] Filed: May 23, 1977

[51] Int. Cl. .... D16-05

[52] U.S. Cl. .... D16/42

[58] Field of Search ..... D16/42; 354/126, 145, 354/293; 362/3, 4, 5, 8, 9, 382; 248/200, 274, 300, 309, 310

[56] References Cited

U.S. PATENT DOCUMENTS

- D. 234,976 4/1975 Tiffen ..... D16/42
- D. 241,538 9/1976 Swayze ..... D16/42

- 3,919,538 11/1975 Yata et al. .... 362/9
- 3,997,775 12/1976 Stoneham ..... 362/8
- 3,999,055 12/1976 Wakahara et al. .... 362/3 X

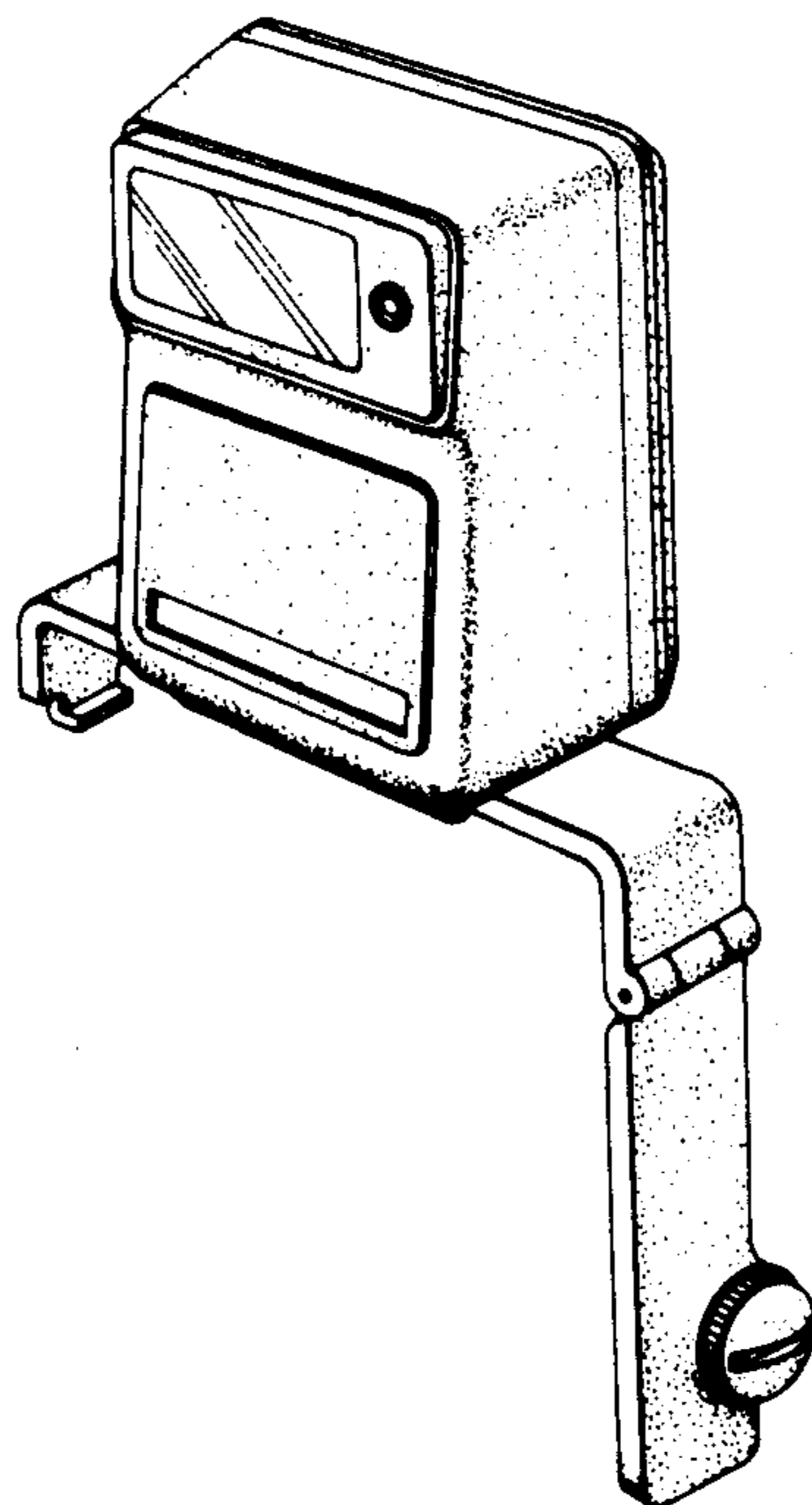
Primary Examiner—Wallace R. Burke  
Assistant Examiner—Catherine Kemper  
Attorney, Agent, or Firm—Milton J. Wayne

[57] CLAIM

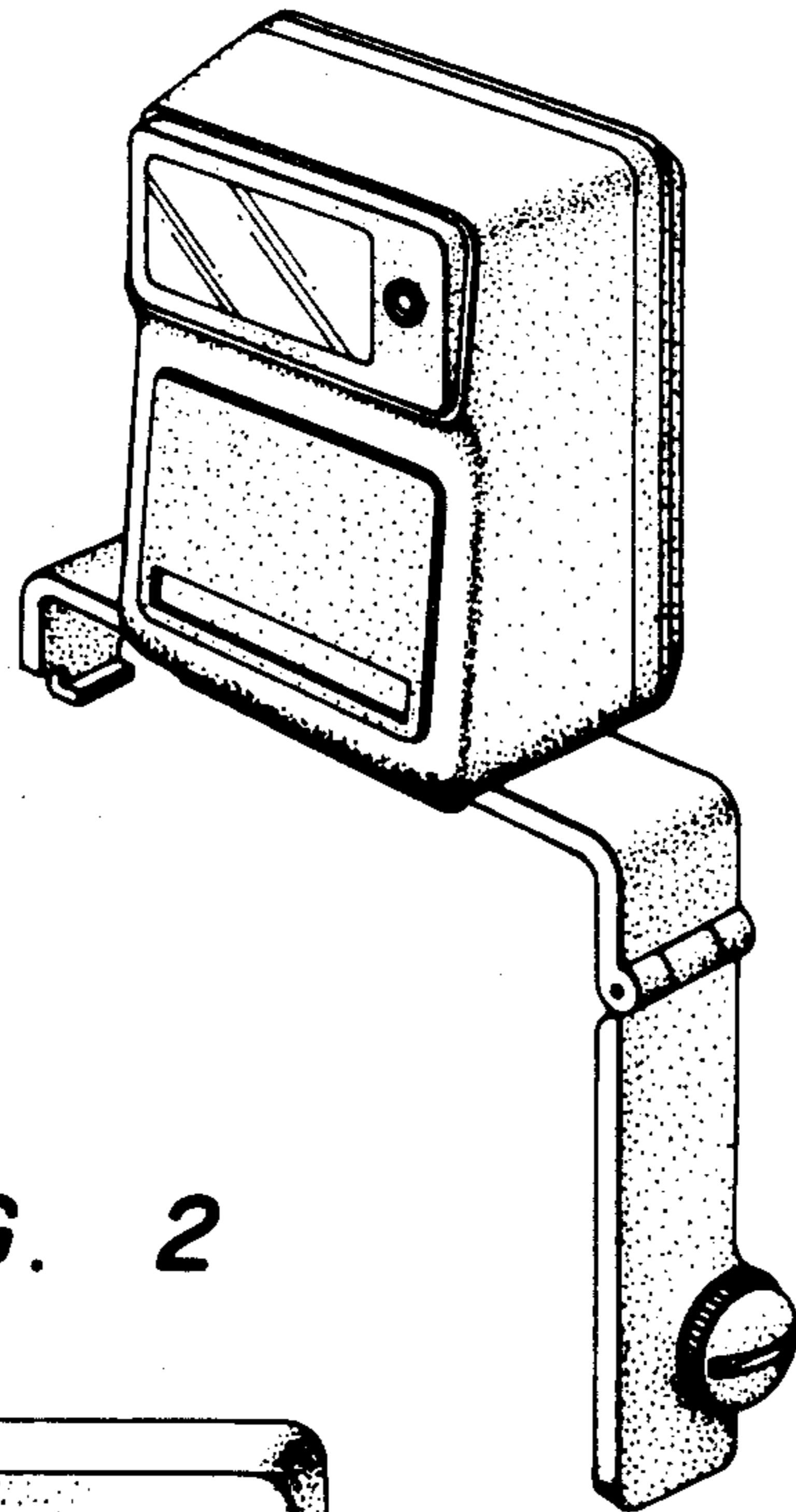
The ornamental design for a stroboflash, substantially as shown and described.

DESCRIPTION

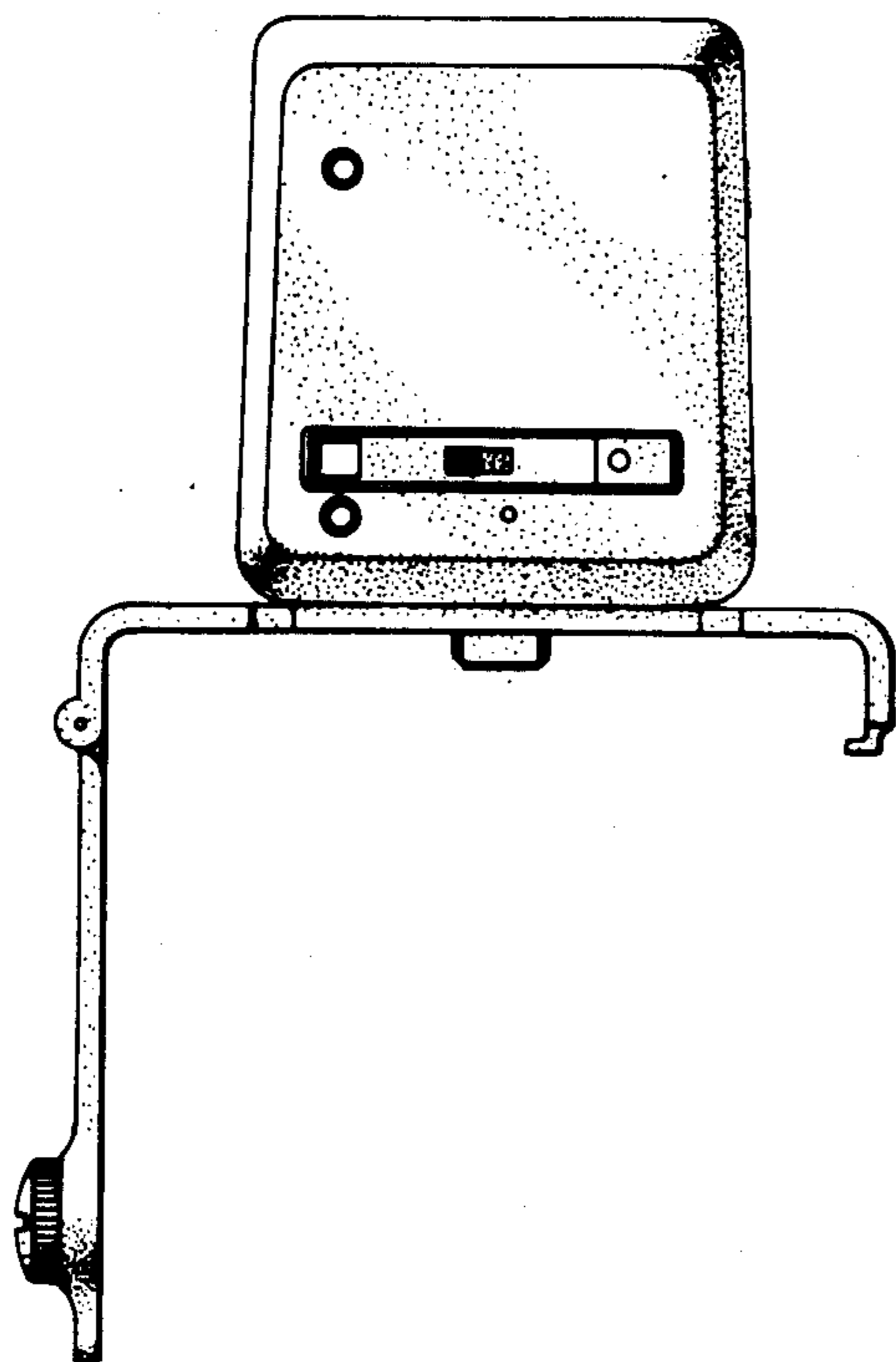
FIG. 1 is a perspective view of a stroboflash showing my new design;  
FIG. 2 is a rear elevational view thereof;  
FIG. 3 is a left side elevational view thereof;  
FIG. 4 is a top plan view thereof;  
FIG. 5 is a front elevational view thereof;  
FIG. 6 is a right side elevational view thereof; and  
FIG. 7 is a bottom plan view thereof.



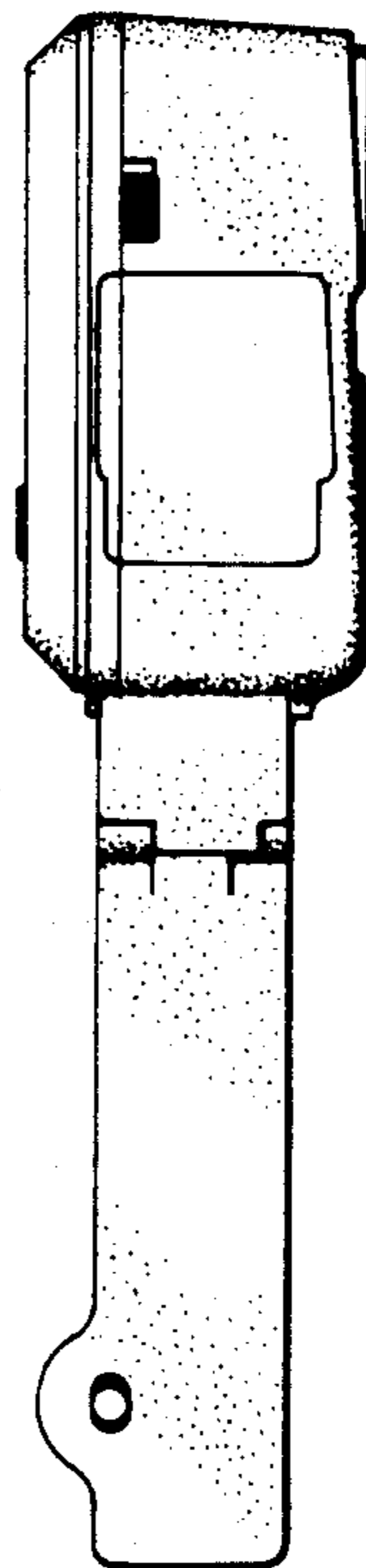
**FIG. 1**



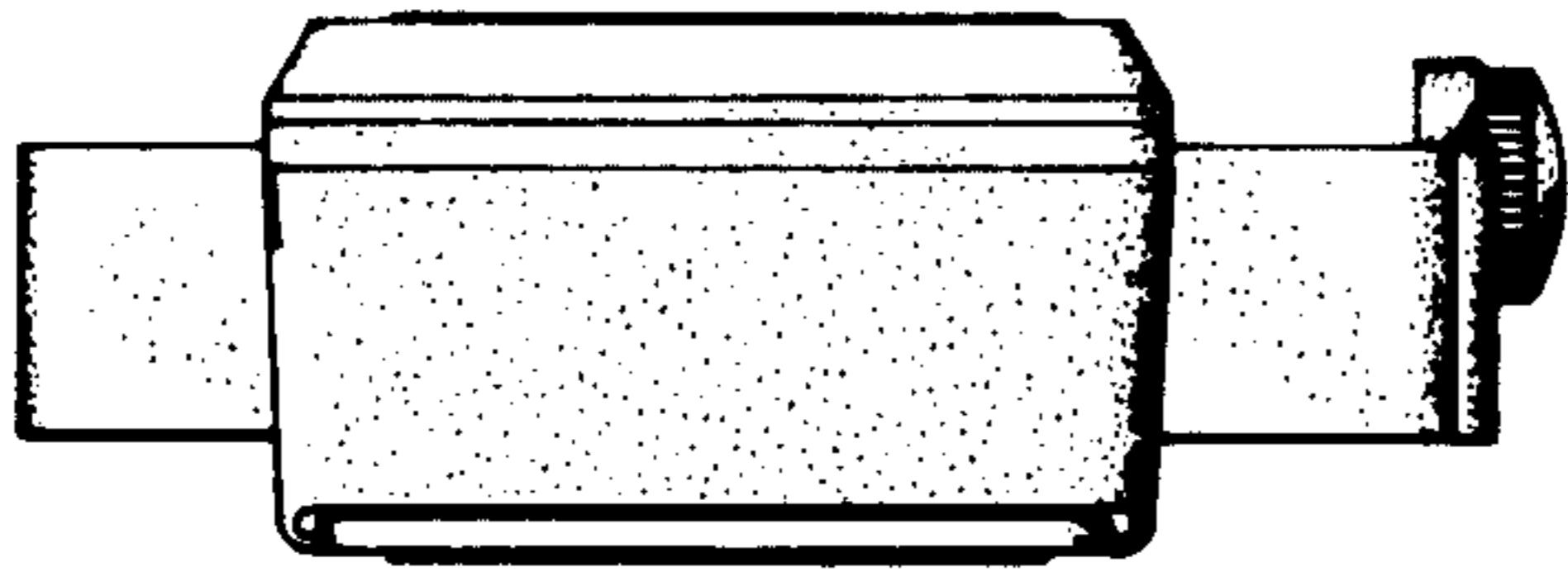
**FIG. 2**



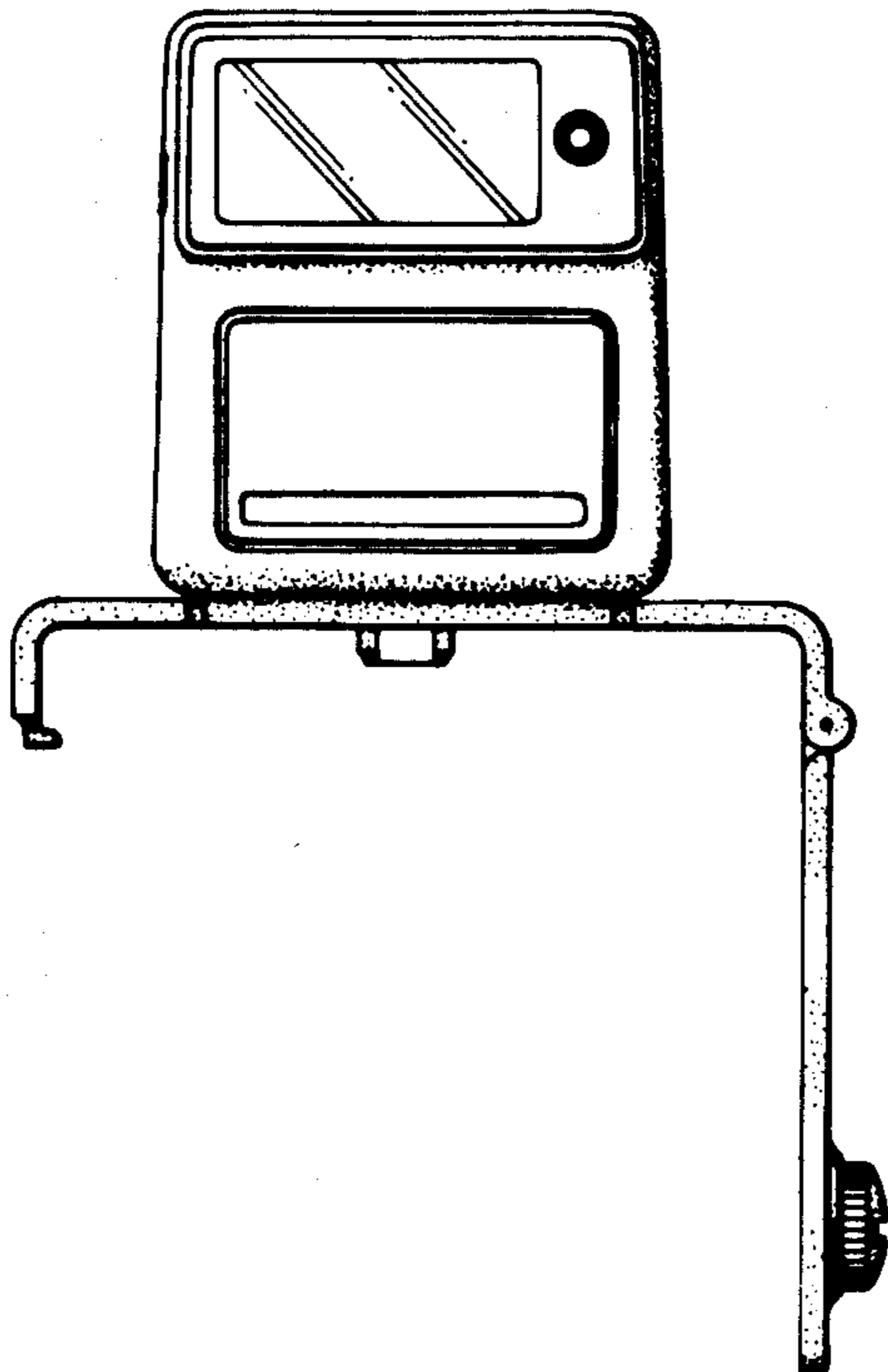
**FIG. 3**



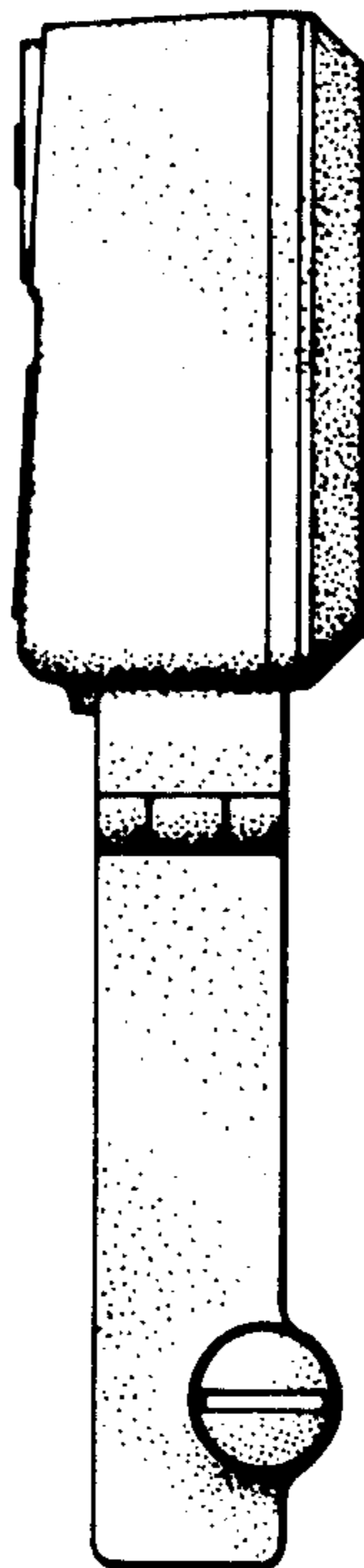
**FIG. 4**



**FIG. 5**



**FIG. 6**



**FIG. 7**

