

[54] FANFOLD SHEET STACKING TRAY

[75] Inventor: Wayne R. Smith, Henrietta, N.Y.
[73] Assignee: Xerox Corporation, Stamford, Conn.
[**] Term: 14 Years
[21] Appl. No.: 739,389
[22] Filed: Nov. 8, 1976

[51] Int. Cl. D14—99; D16—99
[52] U.S. Cl. D16/32; D14/40
[58] Field of Search D16/27, 28, 29, 30,
D16/31, 32, 34; D14/40, 48, 50; D6/85, 114;
355/8, 9, 3 R; 271/63, 64, 213; 211/50, 51, 52,
88, 126, 181

[56]

References Cited

U.S. PATENT DOCUMENTS

D. 198,728 7/1964 Cunha et al. D16/34
D. 224,754 9/1972 Zinni D16/30
D. 233,369 10/1974 Schachner D16/30

Primary Examiner—Wallace R. Burke
Assistant Examiner—Catherine Kemper
Attorney, Agent, or Firm—James J. Ralabate

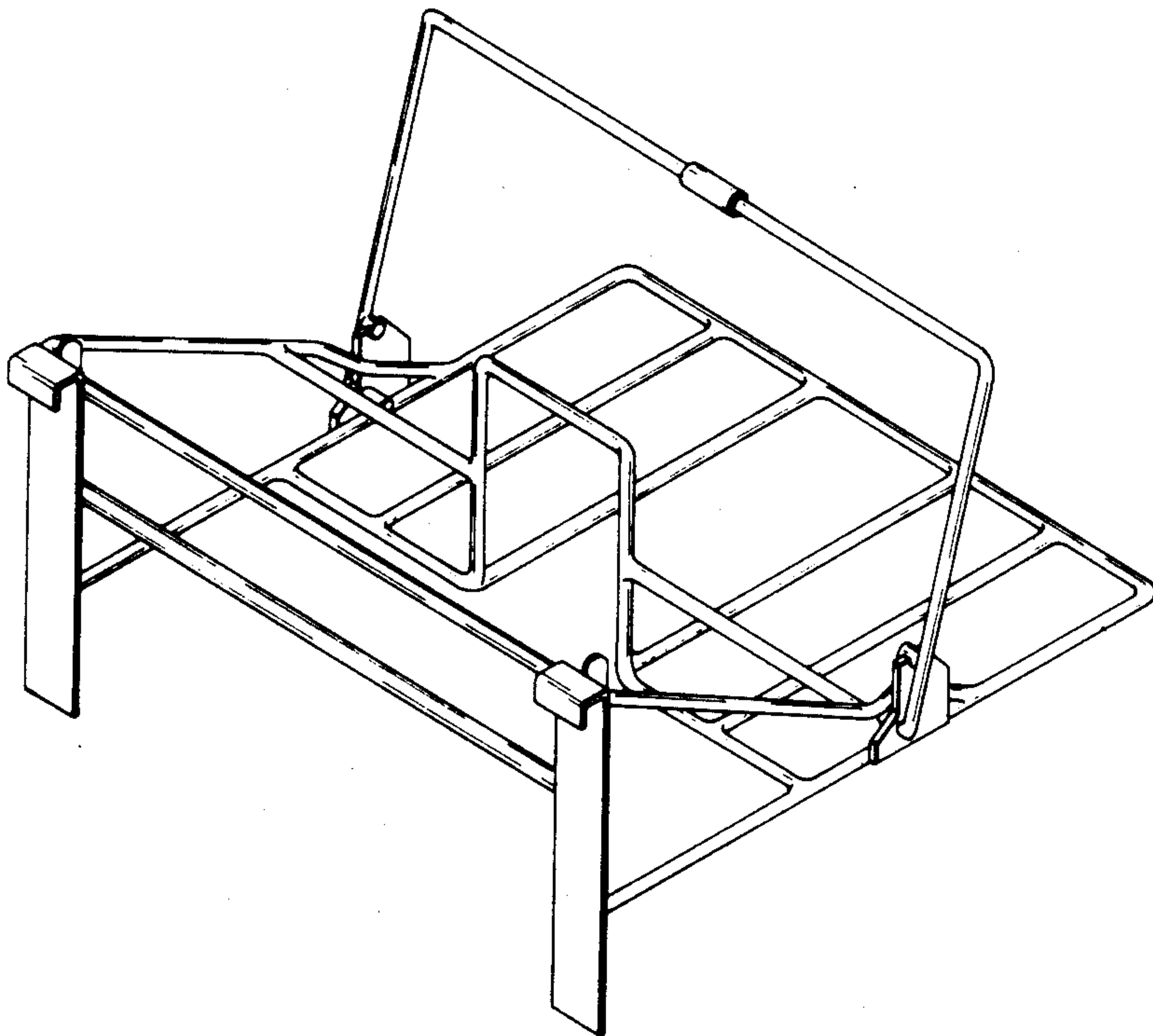
[57]

CLAIM

The ornamental design for a fanfold sheet stacking tray, substantially as shown.

DESCRIPTION

FIG. 1 is a top plan view of a fanfold sheet stacking tray showing my new design;
FIG. 2 is a rear elevational view thereof;
FIG. 3 is a left side elevational view thereof;
FIG. 4 is a right side elevational view thereof;
FIG. 5 is a front elevational view thereof;
FIG. 6 is a bottom plan view thereof; and
FIG. 7 is a front perspective view thereof.



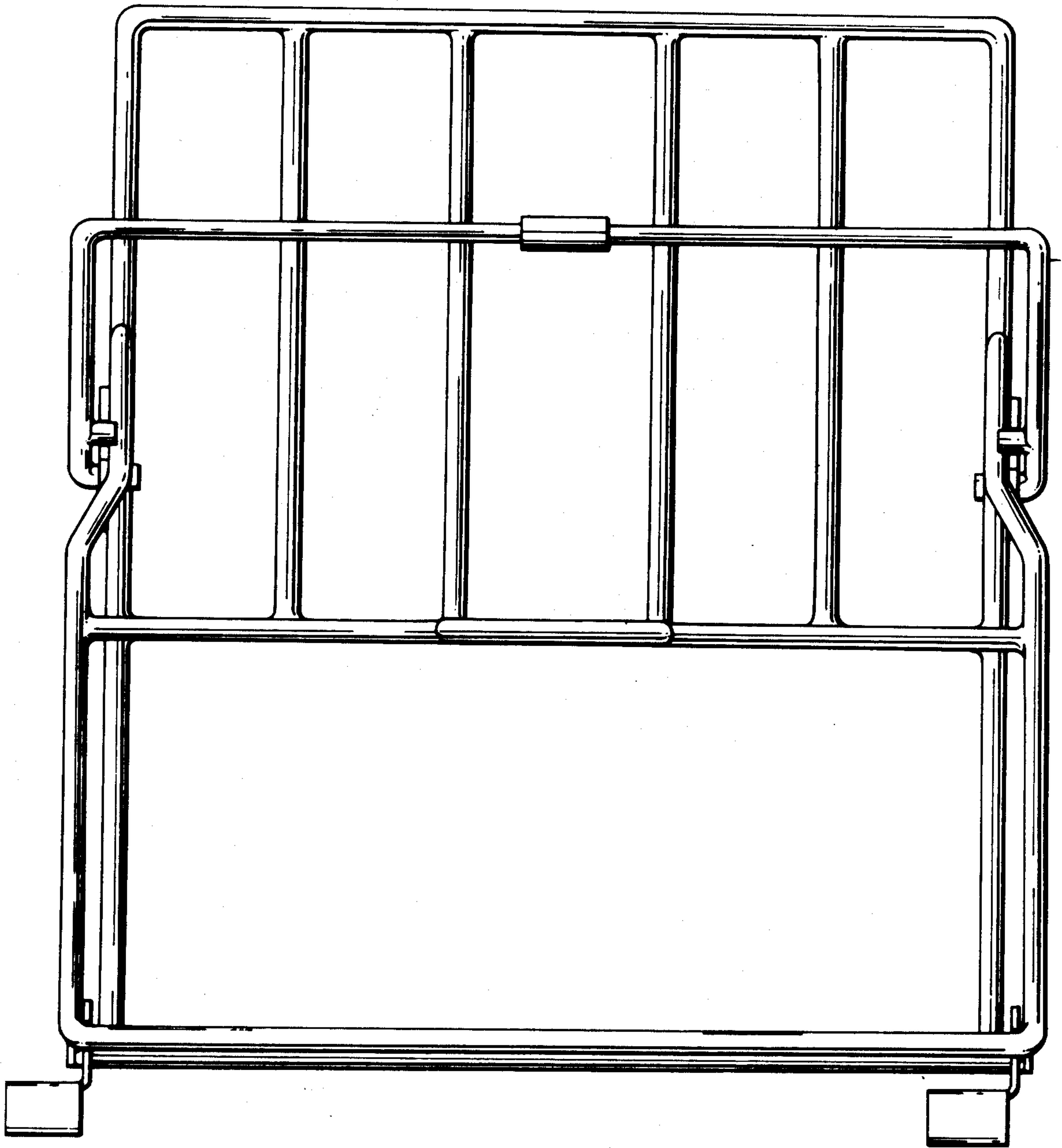


FIG. 1

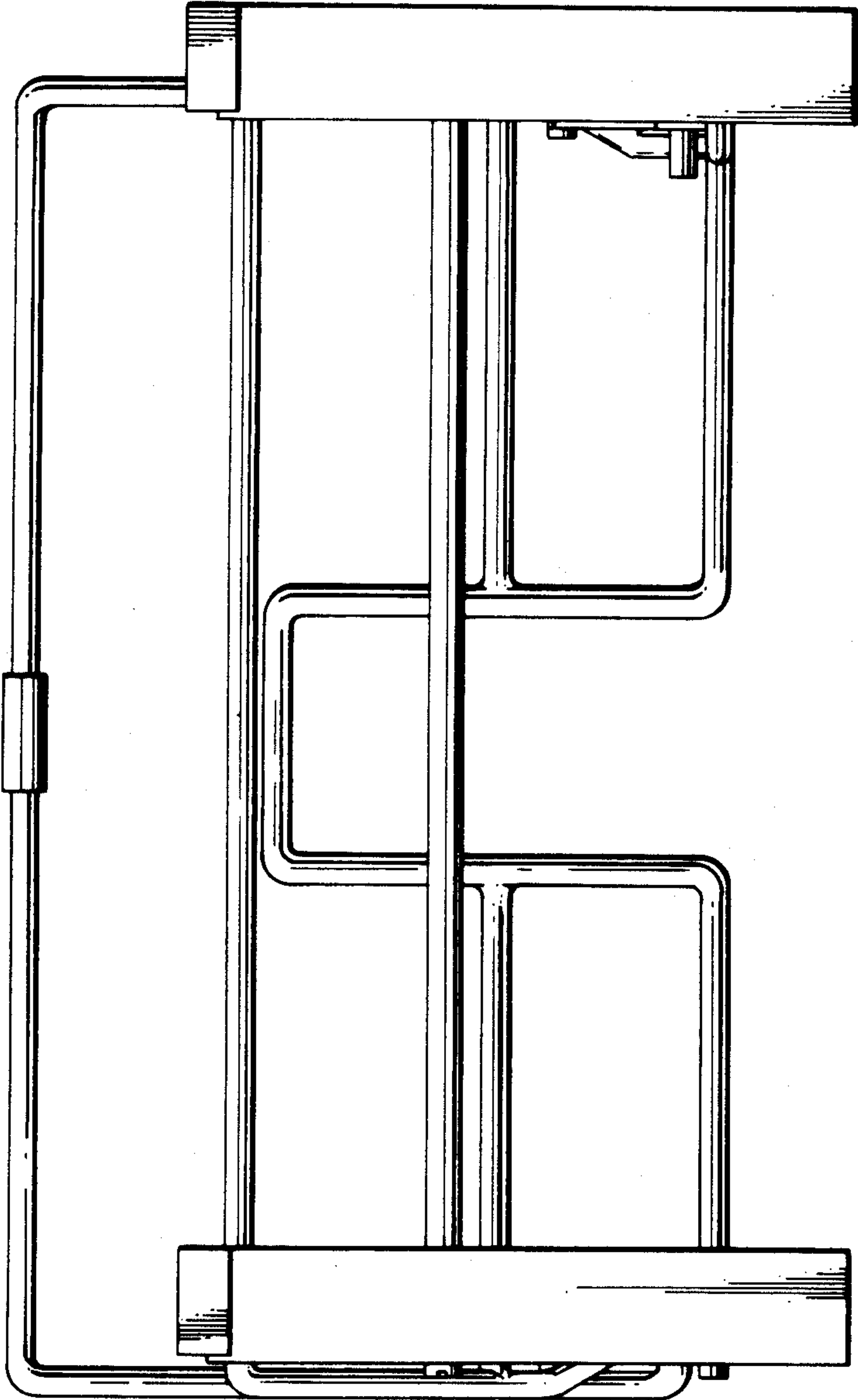


FIG. 2

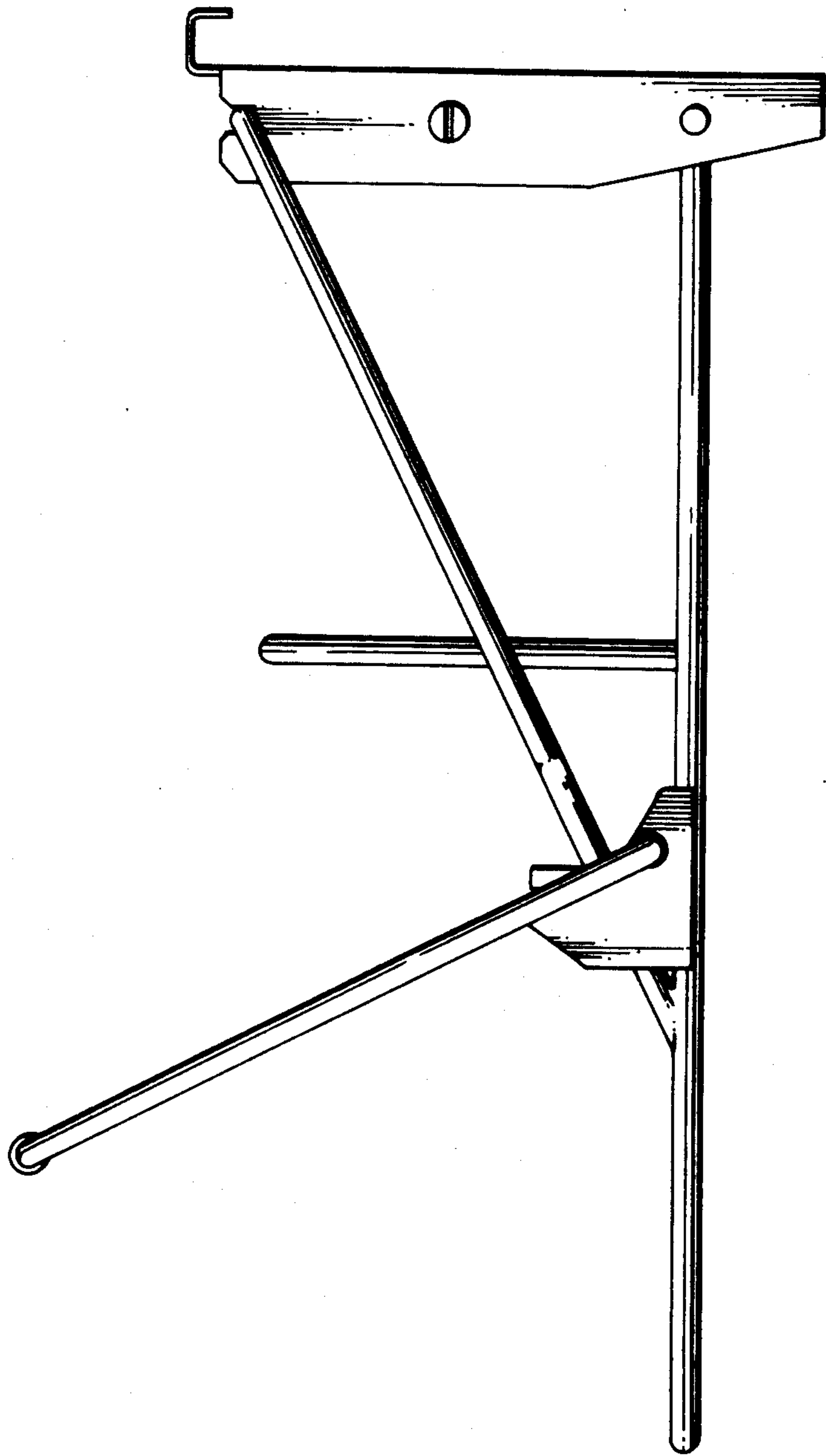


FIG. 3

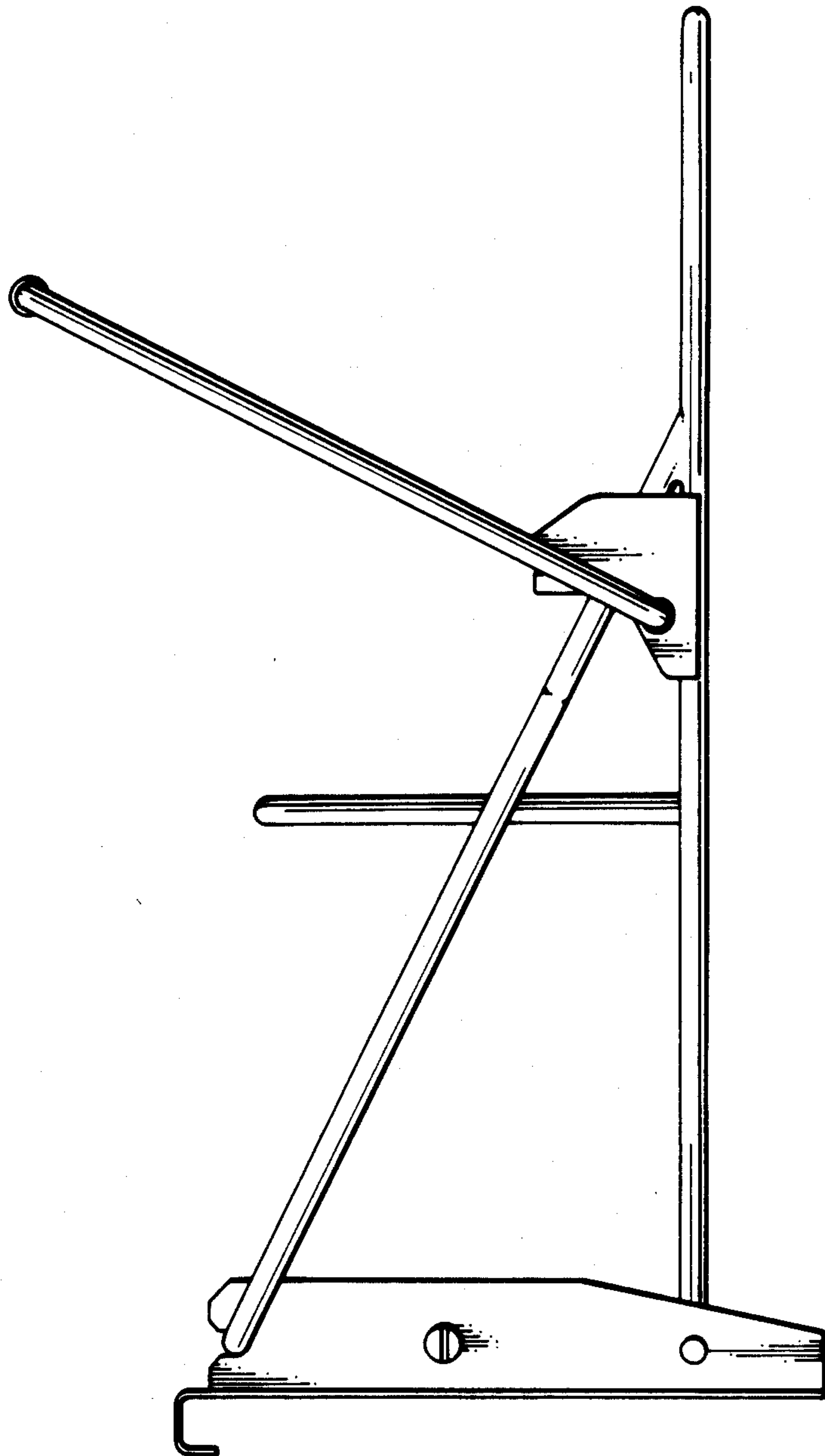


FIG. 4

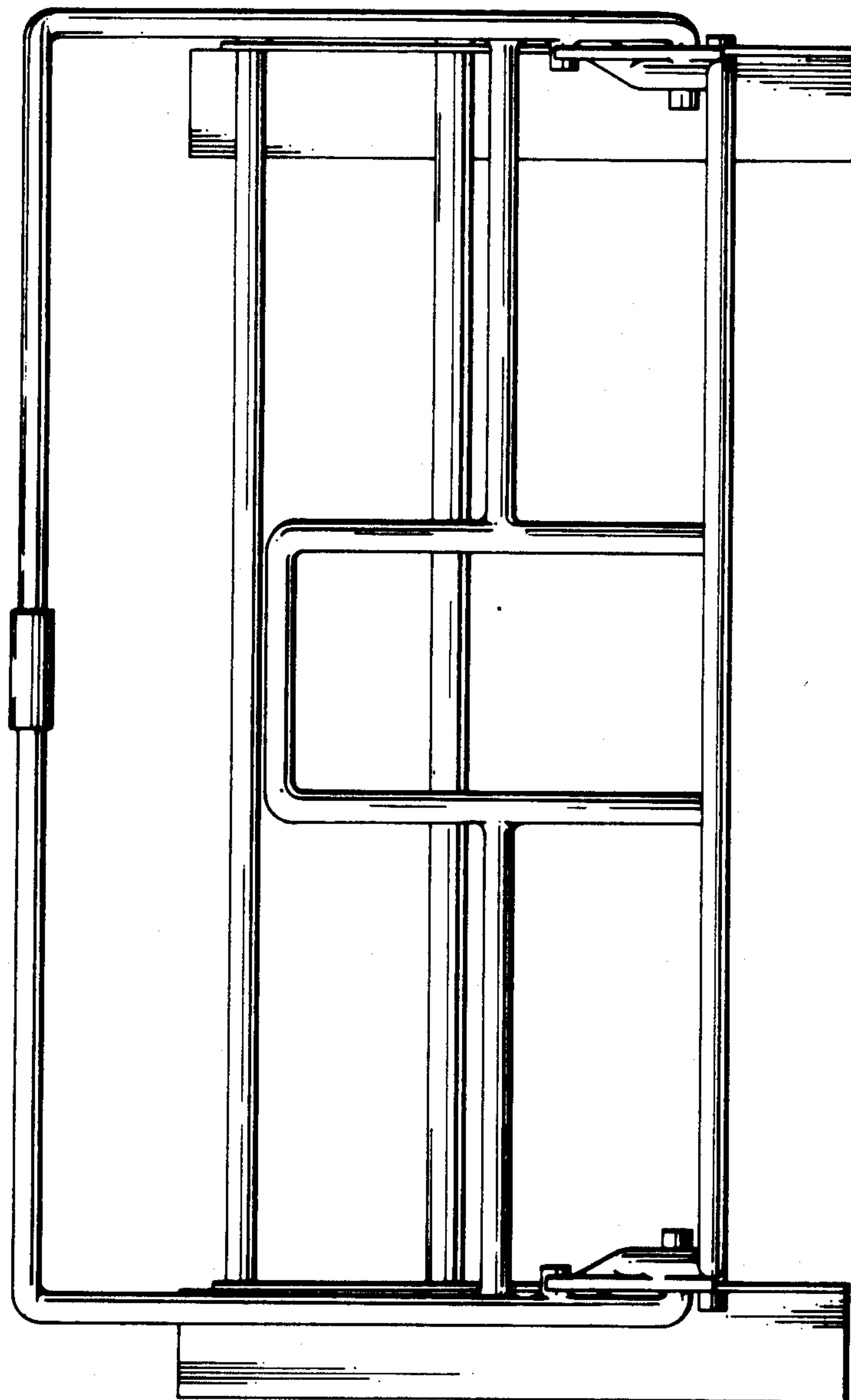


FIG. 5

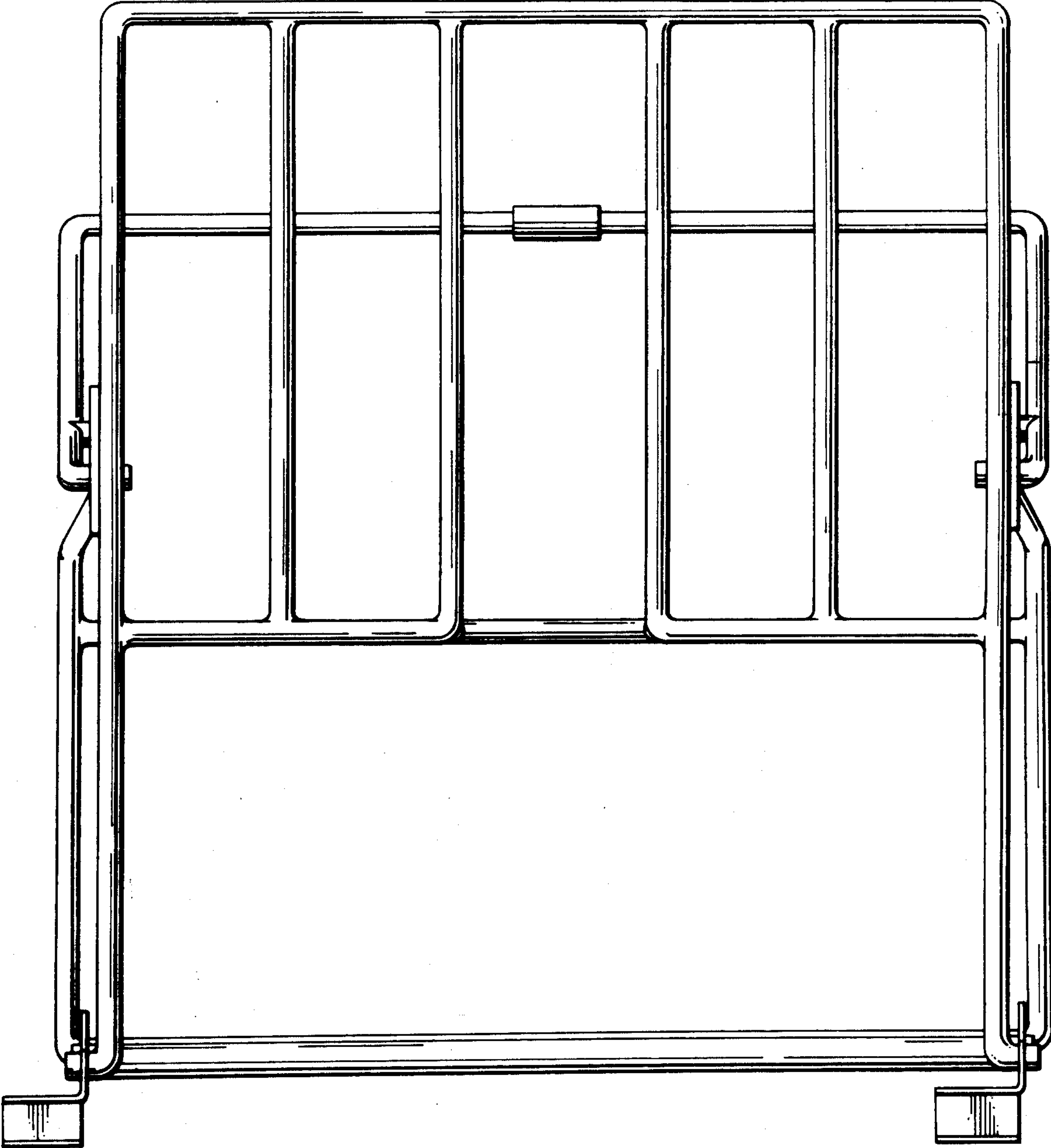


FIG. 6

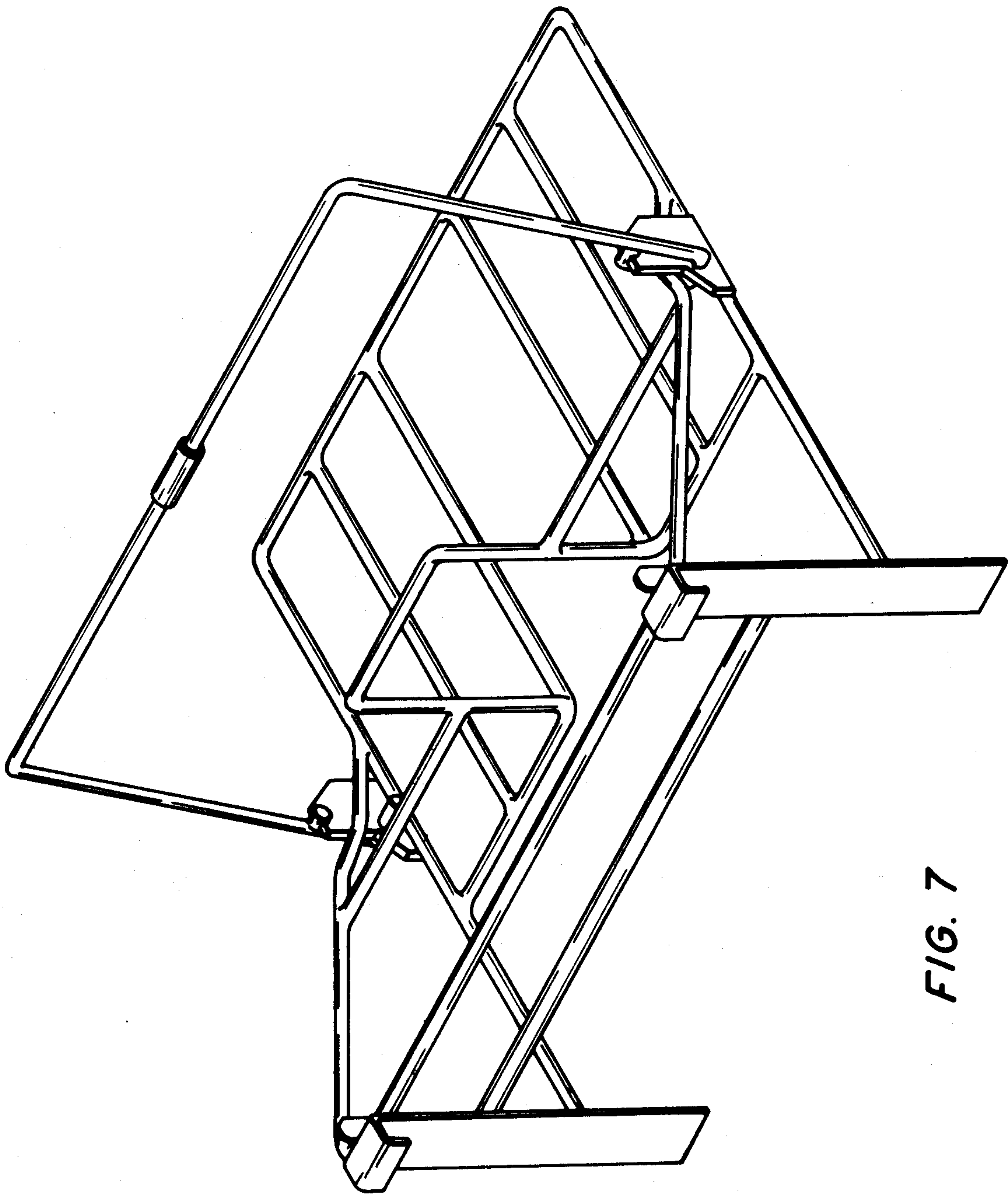


FIG. 7