

[54] SUPPORT MEMBER FOR CARRYING A PLURALITY OF GROUND TOOLS

[76] Inventor: Elmer K. Hansen, 801 S. Martha St., Sioux City, Iowa 51102

[**] Term: 14 Years

[21] Appl. No.: 786,820

[22] Filed: Apr. 12, 1977

[51] Int. Cl. D15-03

[52] U.S. Cl. D15/28

[58] Field of Search D15/27, 28; 172/696, 172/654

[56] References Cited

U.S. PATENT DOCUMENTS

380,052	3/1888	Porteous	172/696
475,825	5/1892	Stockton	172/696
549,215	11/1895	Sapp	172/696
556,277	3/1896	Parker et al.	172/696
749,960	1/1904	Dodd	172/696

Primary Examiner—Wallace R. Burke
Assistant Examiner—James M. Gandy
Attorney, Agent, or Firm—Rudolph L. Lowell

[57] CLAIM

The ornamental design for a support member for carrying a plurality of ground tools, substantially as shown and described.

DESCRIPTION

FIG. 1 is a perspective view of the support member for carrying a plurality of ground tools showing my new design;

FIG. 2 is an enlarged front end elevational view thereof;

FIG. 3 is an enlarged top plan view thereof;

FIG. 4 is an enlarged side elevational view thereof;

FIG. 5 is an enlarged side elevational view thereof opposite to that shown in FIG. 4;

FIG. 6 is an enlarged bottom plan view thereof;

FIG. 7 is a perspective view of the support member for carrying a plurality of ground tools showing a second embodiment of my new design;

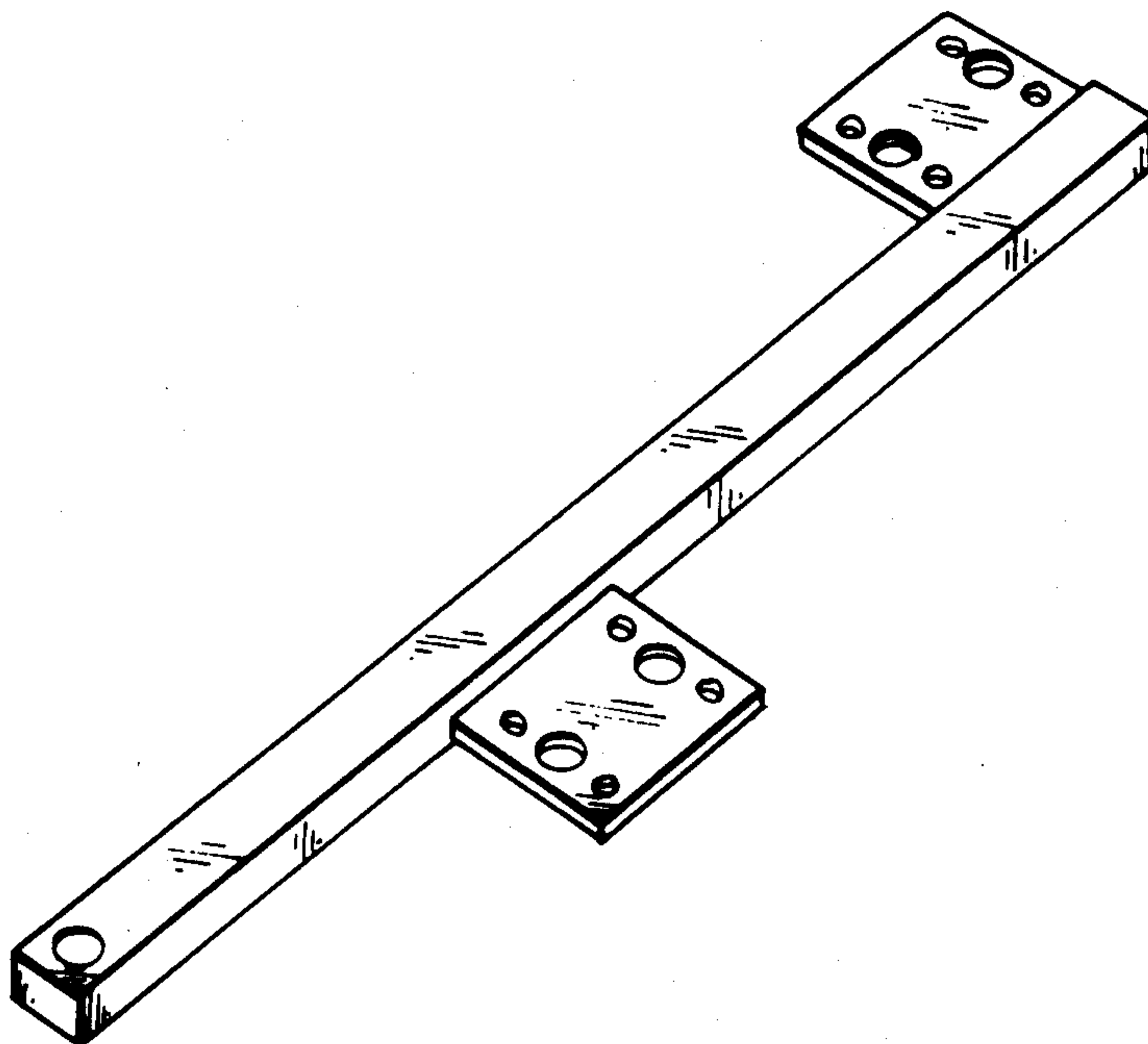
FIG. 8 is a front end elevational view of FIG. 7;

FIG. 9 is a top plan view of FIG. 7;

FIG. 10 is a side elevational view of FIG. 7;

FIG. 11 is a greatly enlarged bottom plan view of FIG. 7;

FIG. 12 is a greatly enlarged side elevational view of FIG. 7, opposite to that shown in FIG. 10; and
FIG. 13 is a rear end elevational view of FIG. 7.



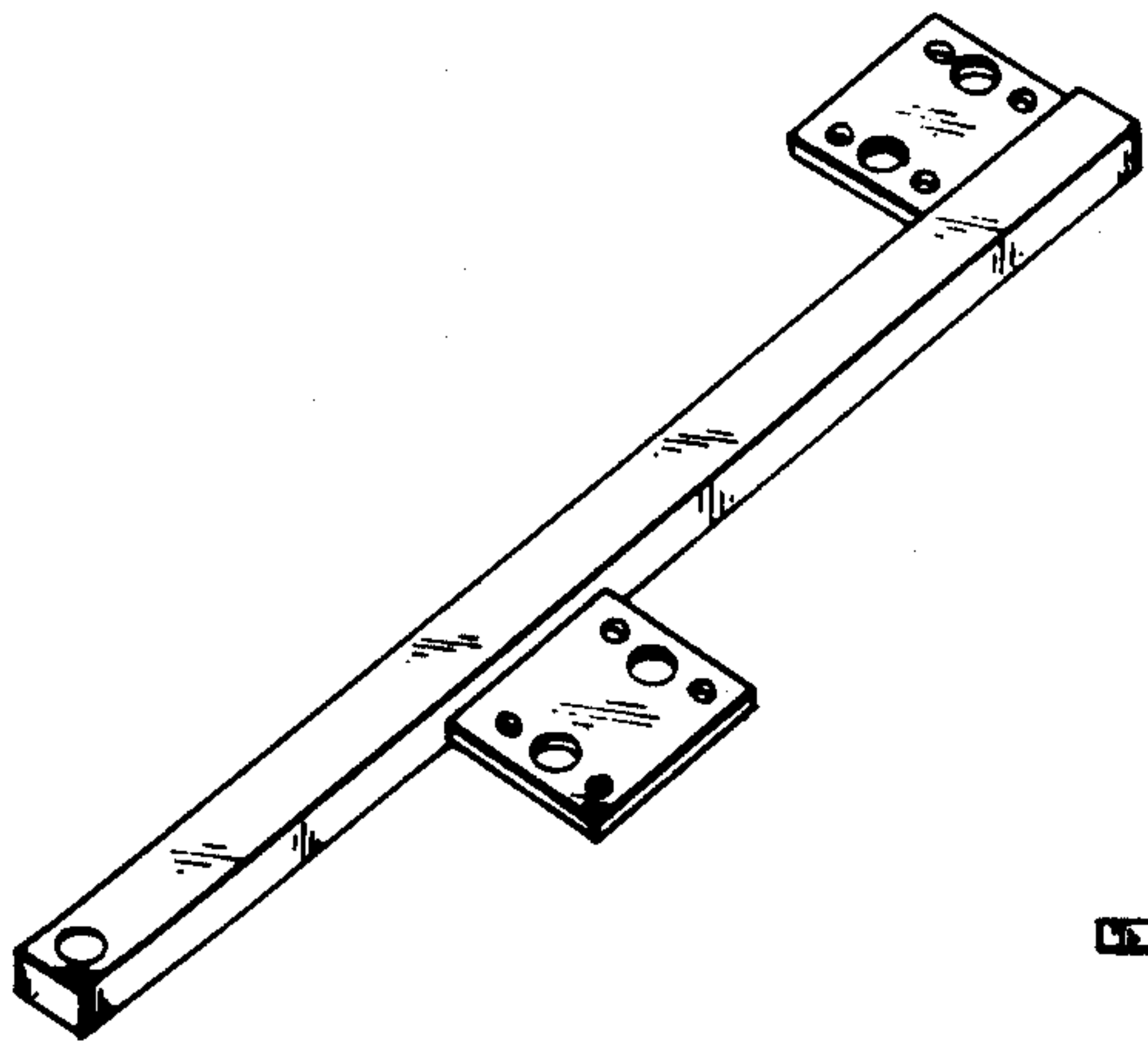


Fig. 1



Fig. 2

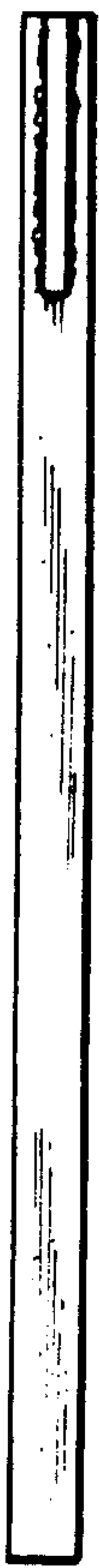


Fig. 4

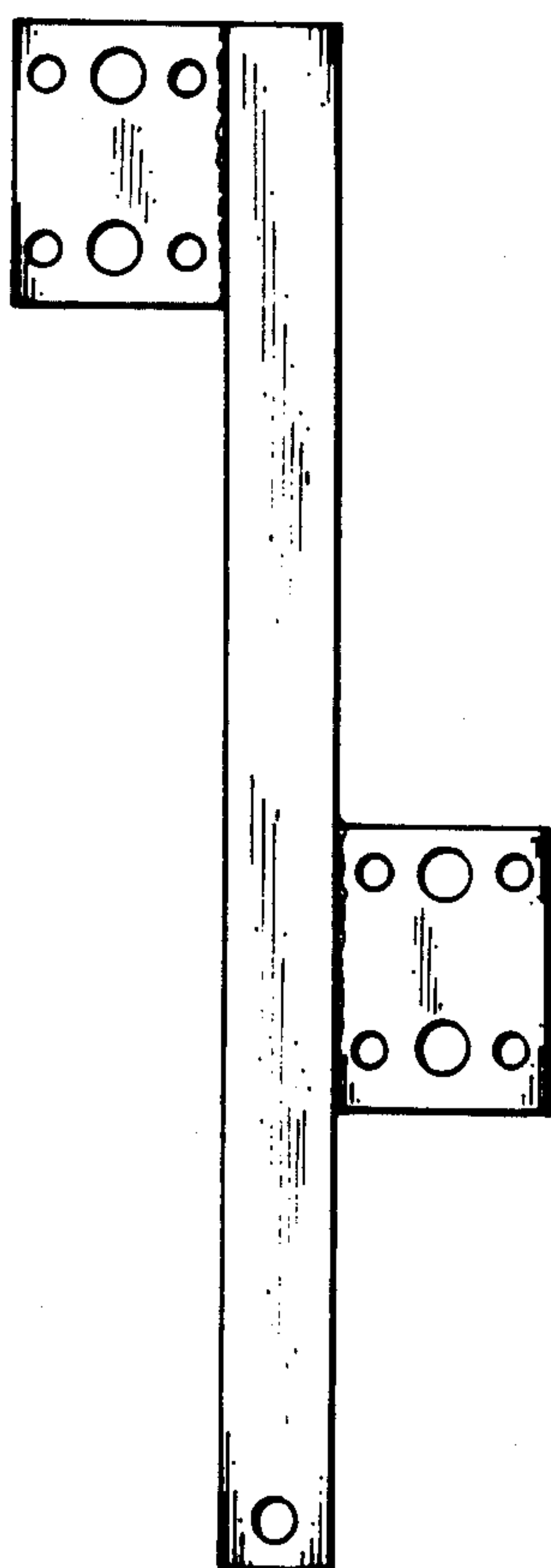


Fig. 3



Fig. 5

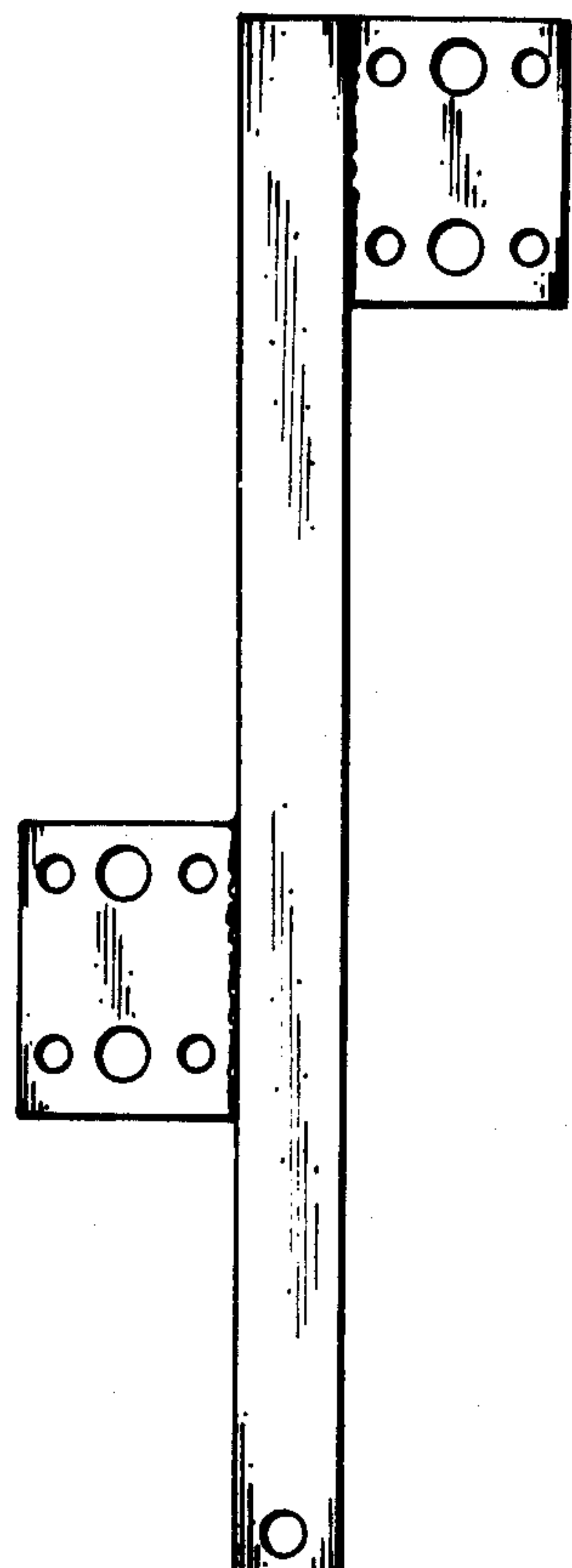


Fig. 6

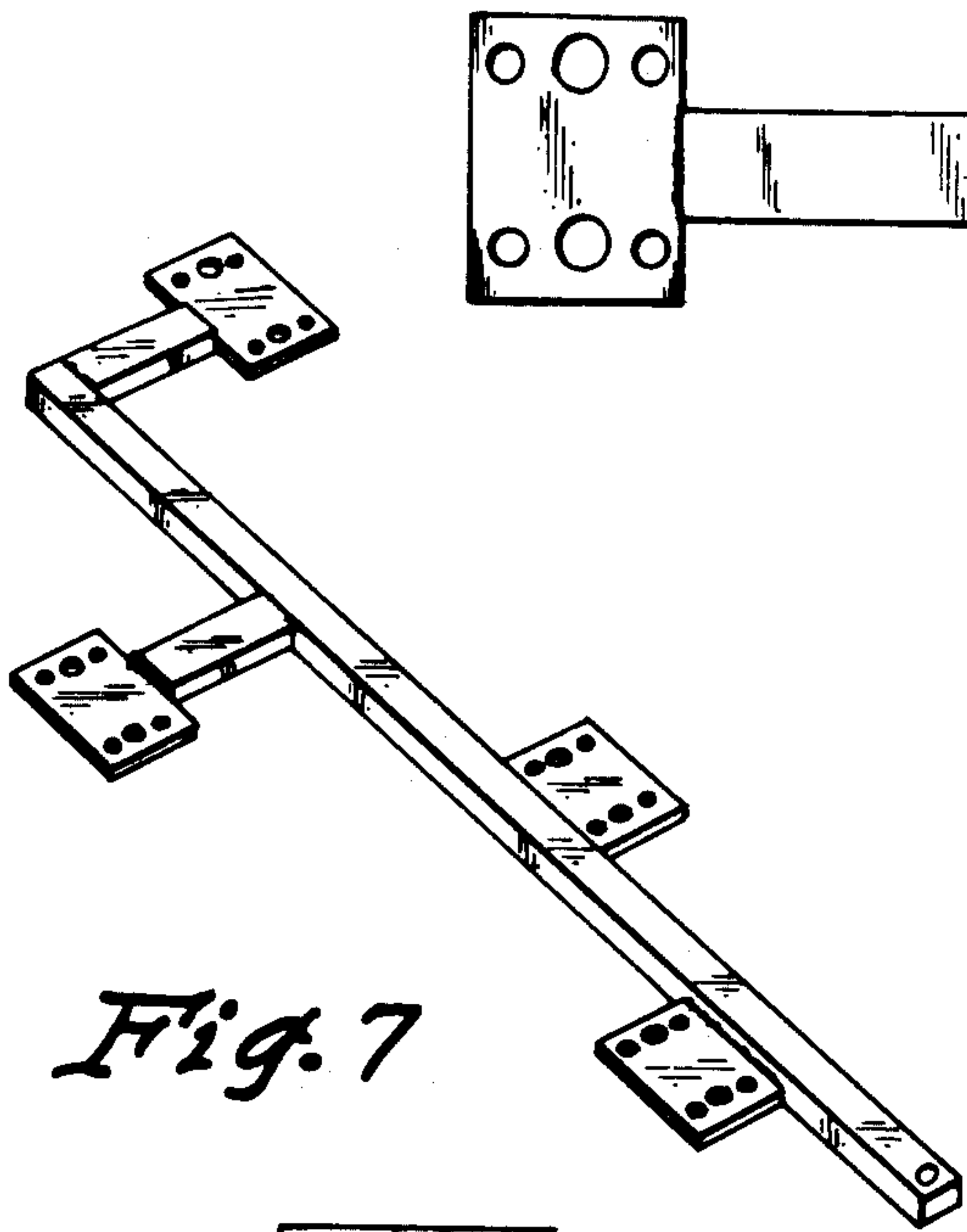


Fig. 7



Fig. 8

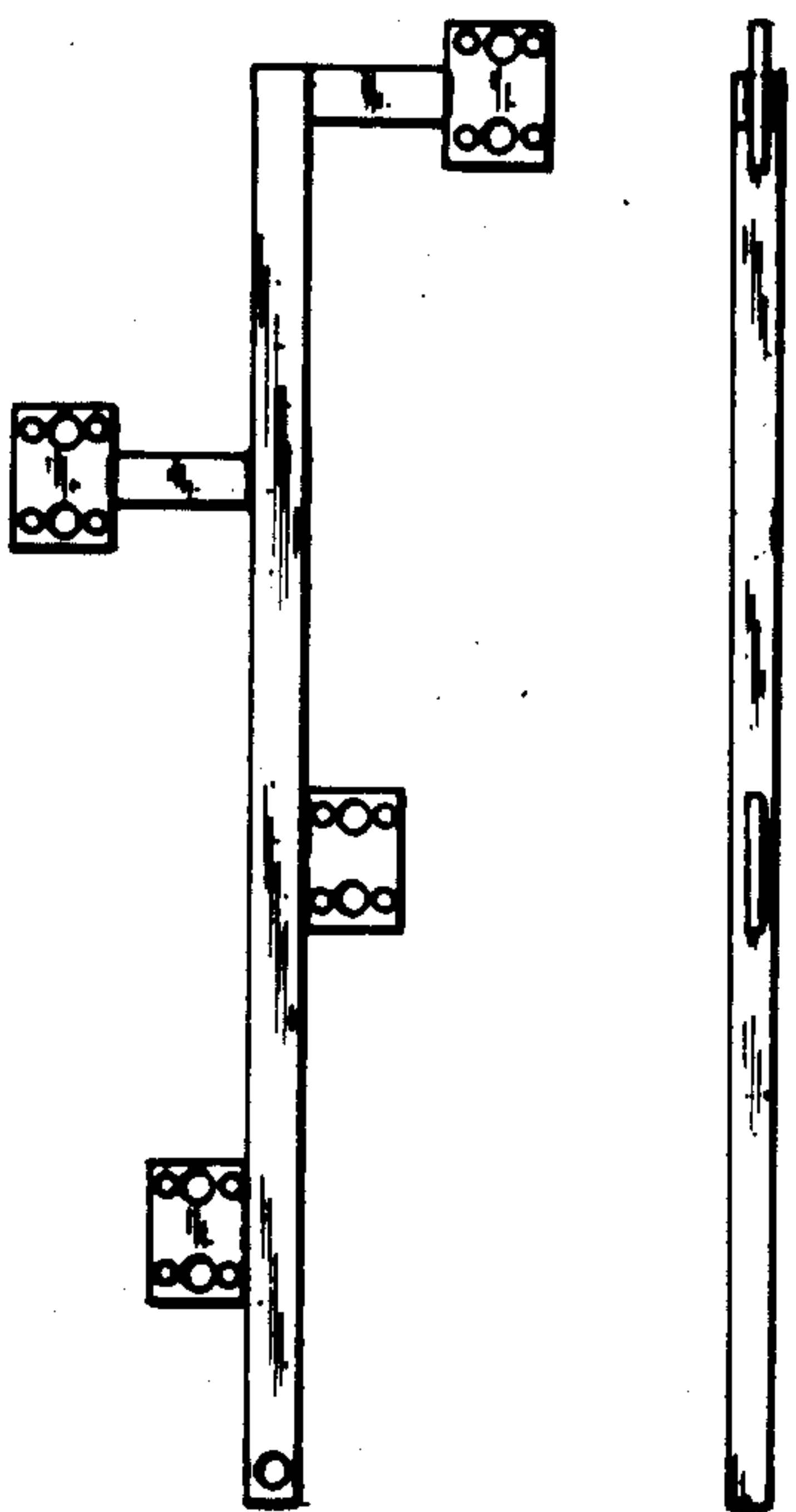


Fig. 9



Fig. 10



Fig. 13

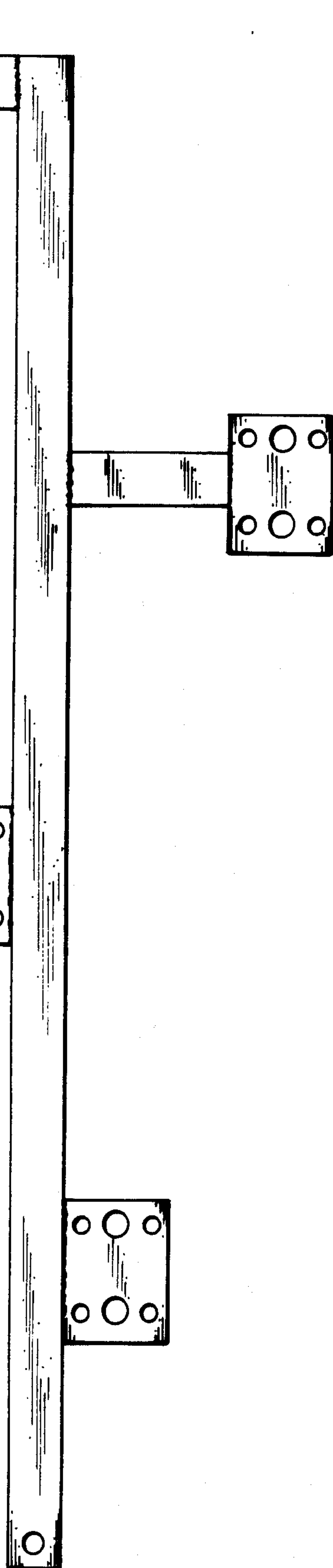


Fig. 11



Fig. 12