

[54] WRIST RADIO CASE

[75] Inventor: Hoi T. Vong, Hong Kong, Hong Kong

[73] Assignee: Asia International Electronics, Ltd., Hong Kong, Hong Kong

[**] Term: 14 Years

[21] Appl. No.: 778,315

[22] Filed: Mar. 16, 1977

Related U.S. Application Data

[62] Division of Ser. No. 639,083, Dec. 9, 1975, Pat. No. Des. 246,104.

[51] Int. Cl. D14-03

[52] U.S. Cl. D14/69; D10/38; D14/70

[58] Field of Search D14/68, 69, 70, 72, D14/73, 75, 76, 1, 99, 31, 84, 95, 96; D26/14 B, 14 K, 14 L; D10/30-32, 38, 39

[56]

References Cited

U.S. PATENT DOCUMENTS

| | | | |
|------------|---------|-------------|----------|
| D. 216,322 | 12/1969 | Forey | D10/31 |
| D. 239,324 | 3/1976 | Vong | D14/10 X |
| 3,379,004 | 4/1968 | Lee | D10/39 |

Primary Examiner—Joel Stearman
Assistant Examiner—J. Corrigan
Attorney, Agent, or Firm—Milton J. Wayne

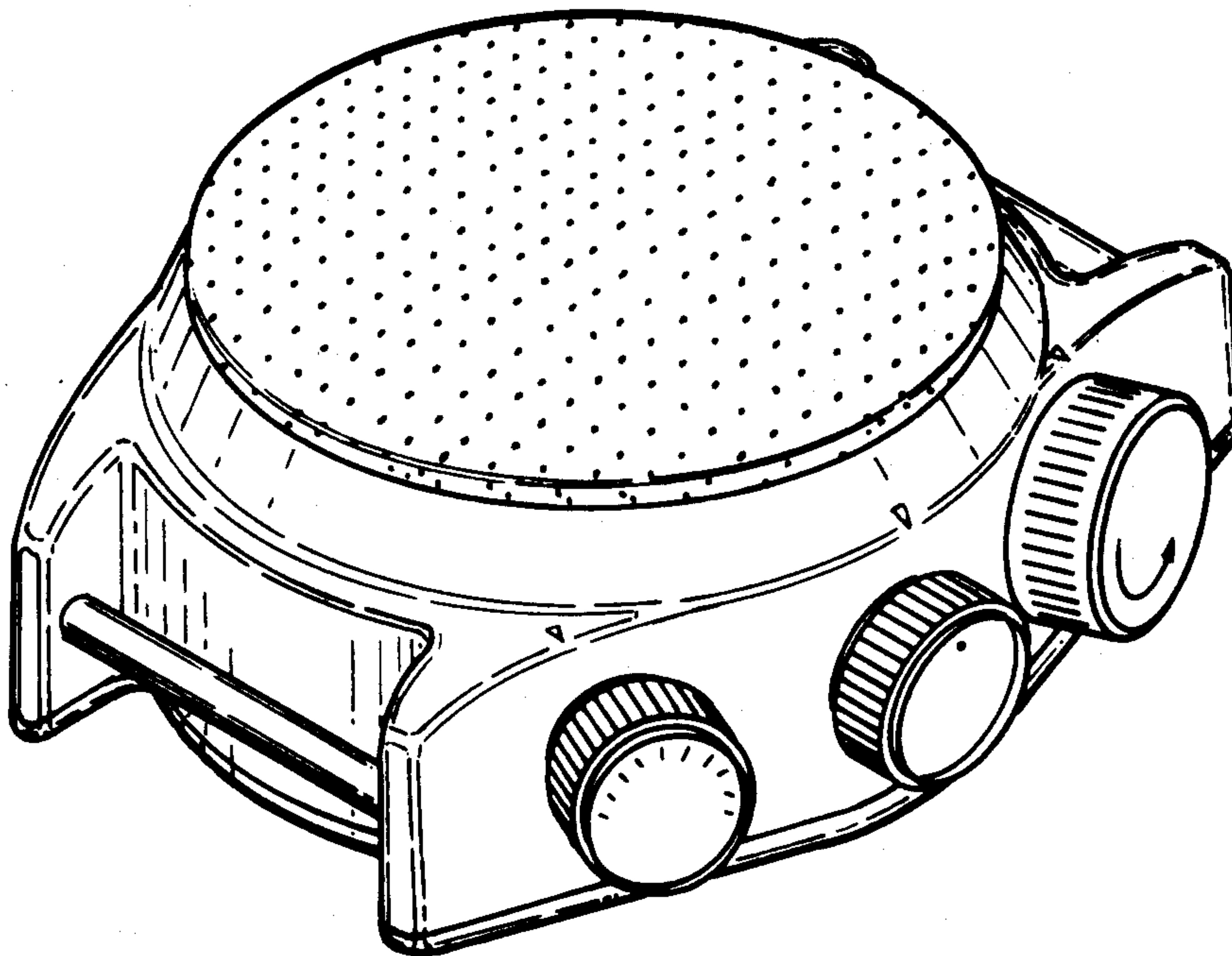
[57]

CLAIM

The ornamental design for a wrist radio case, substantially as shown.

DESCRIPTION

FIG. 1 is a top plan view of a wrist radio case showing my new design;
FIG. 2 is a right side elevational view;
FIG. 3 is a left side elevational view;
FIG. 4 is a rear elevational view;
FIG. 5 is a front elevational view;
FIG. 6 is a bottom plan view; and
FIG. 7 is a front, top and right side perspective view.



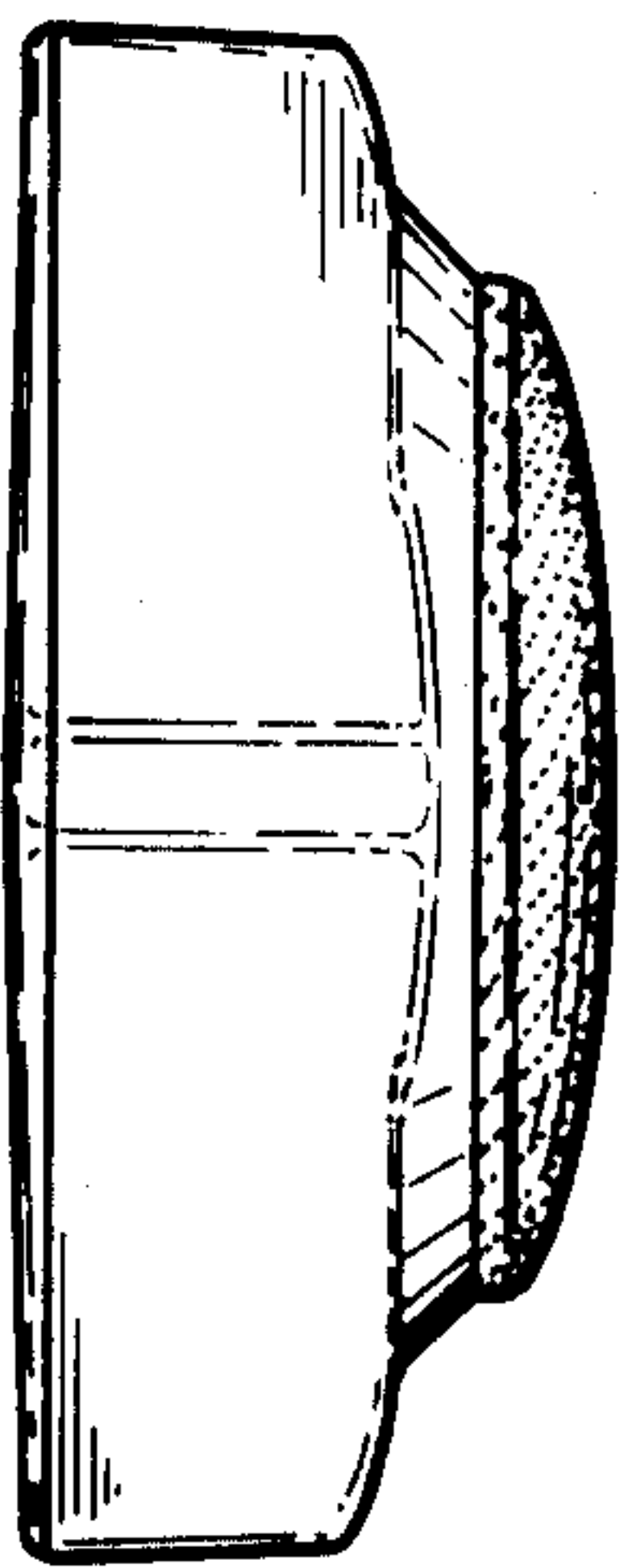


FIG. 3

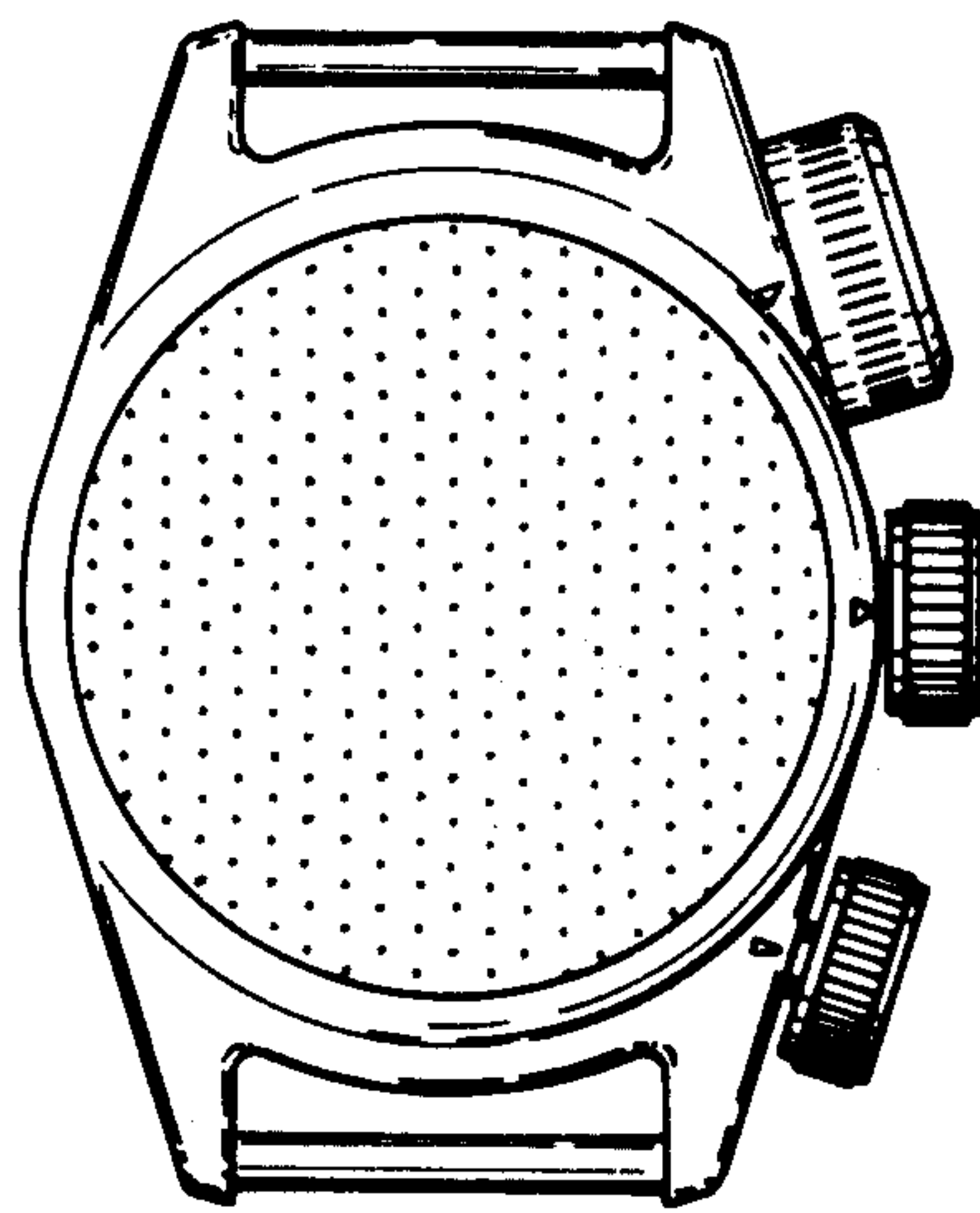


FIG. 1

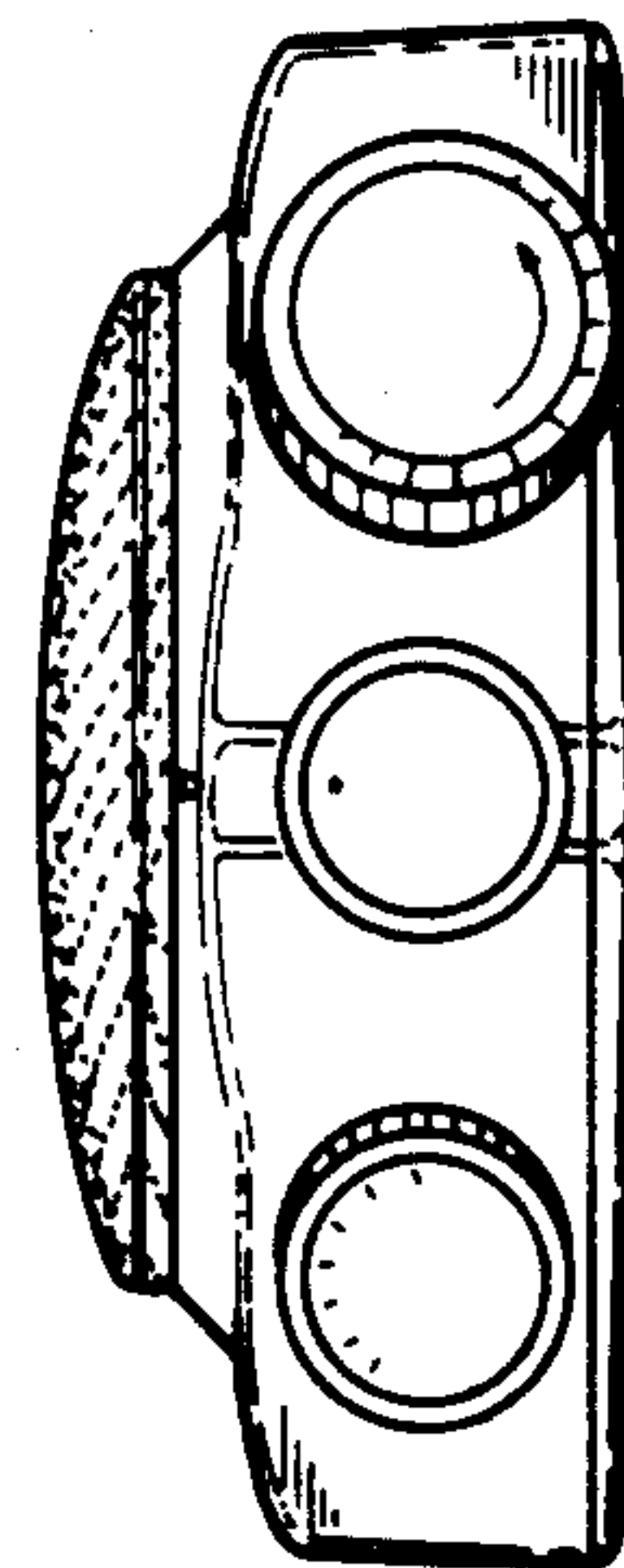


FIG. 2

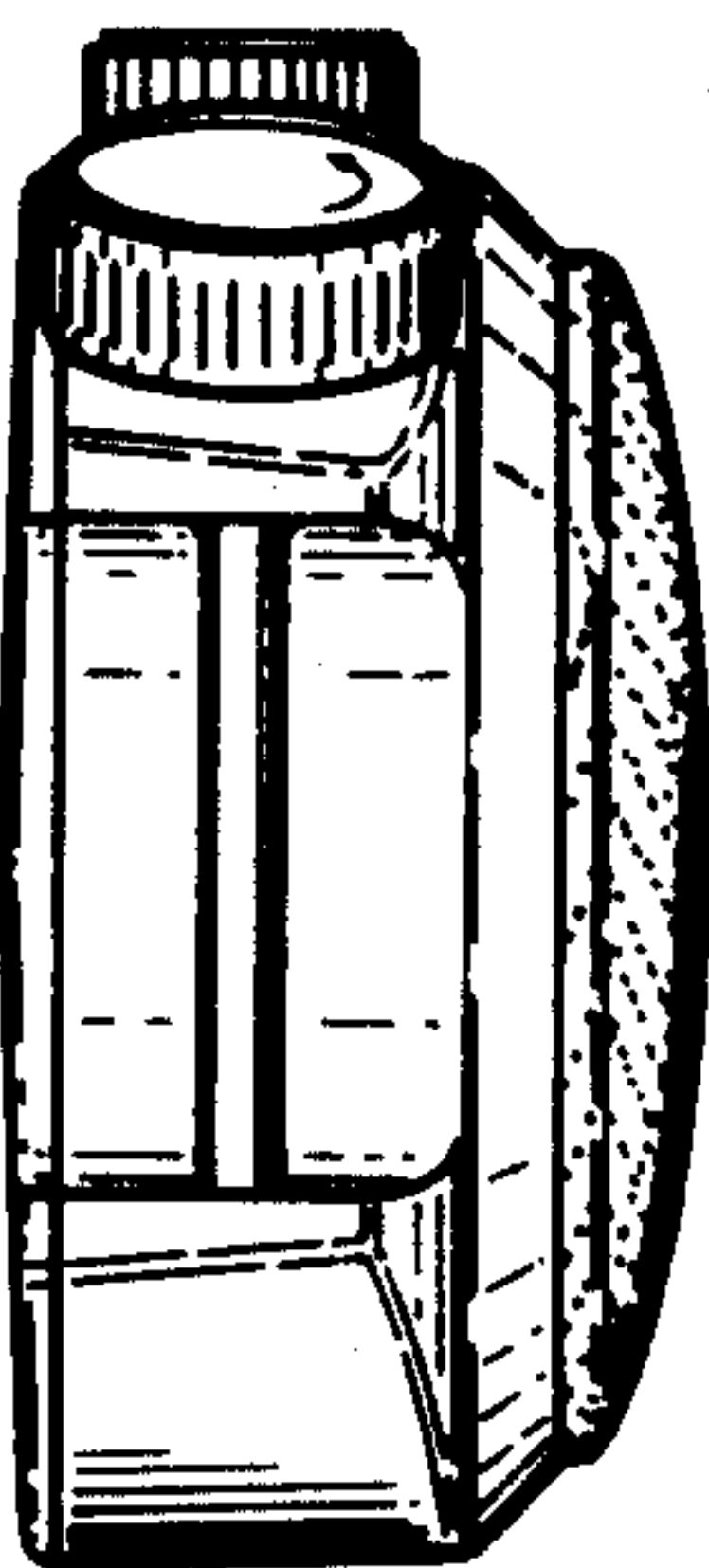


FIG. 4

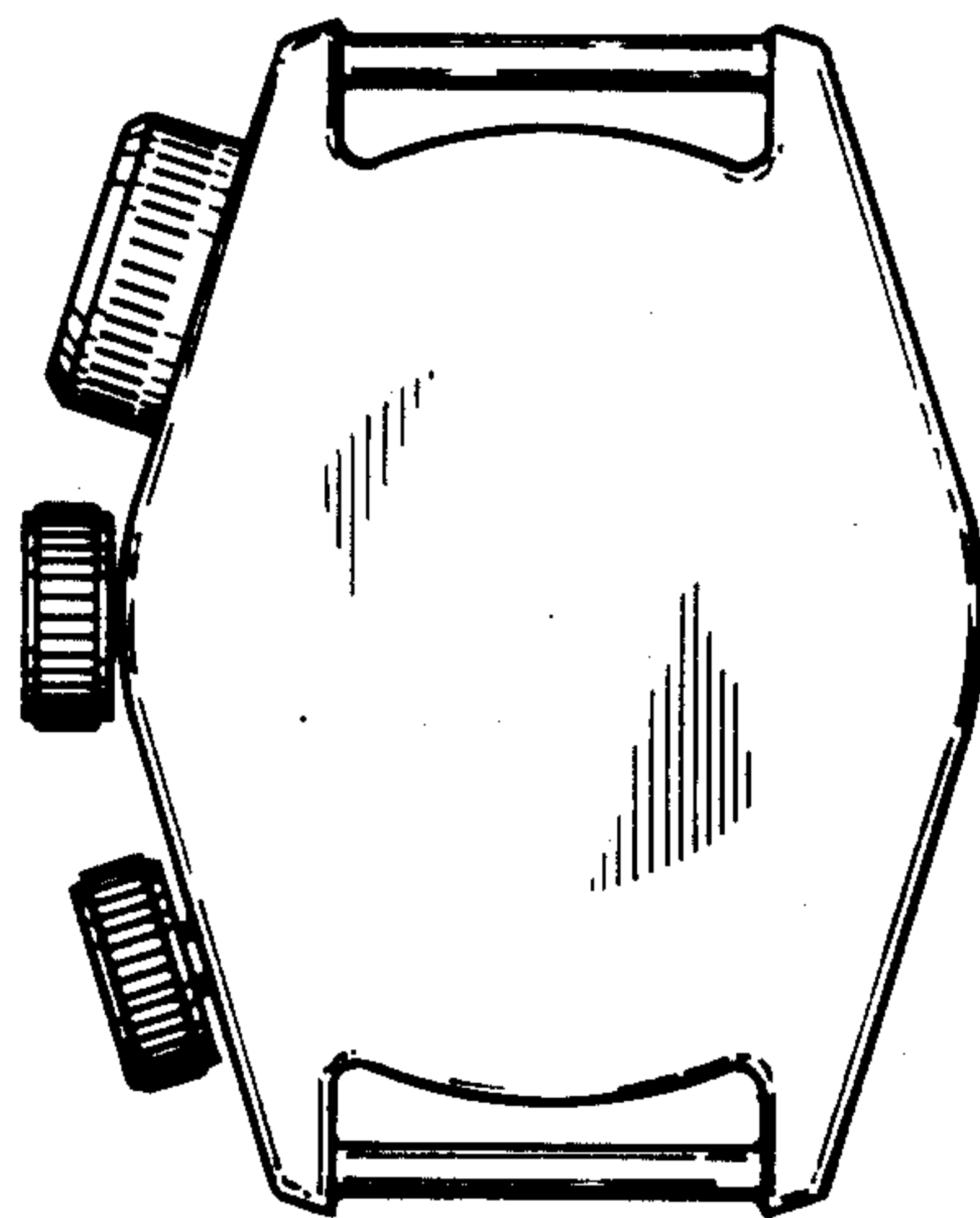


FIG. 6



FIG. 5

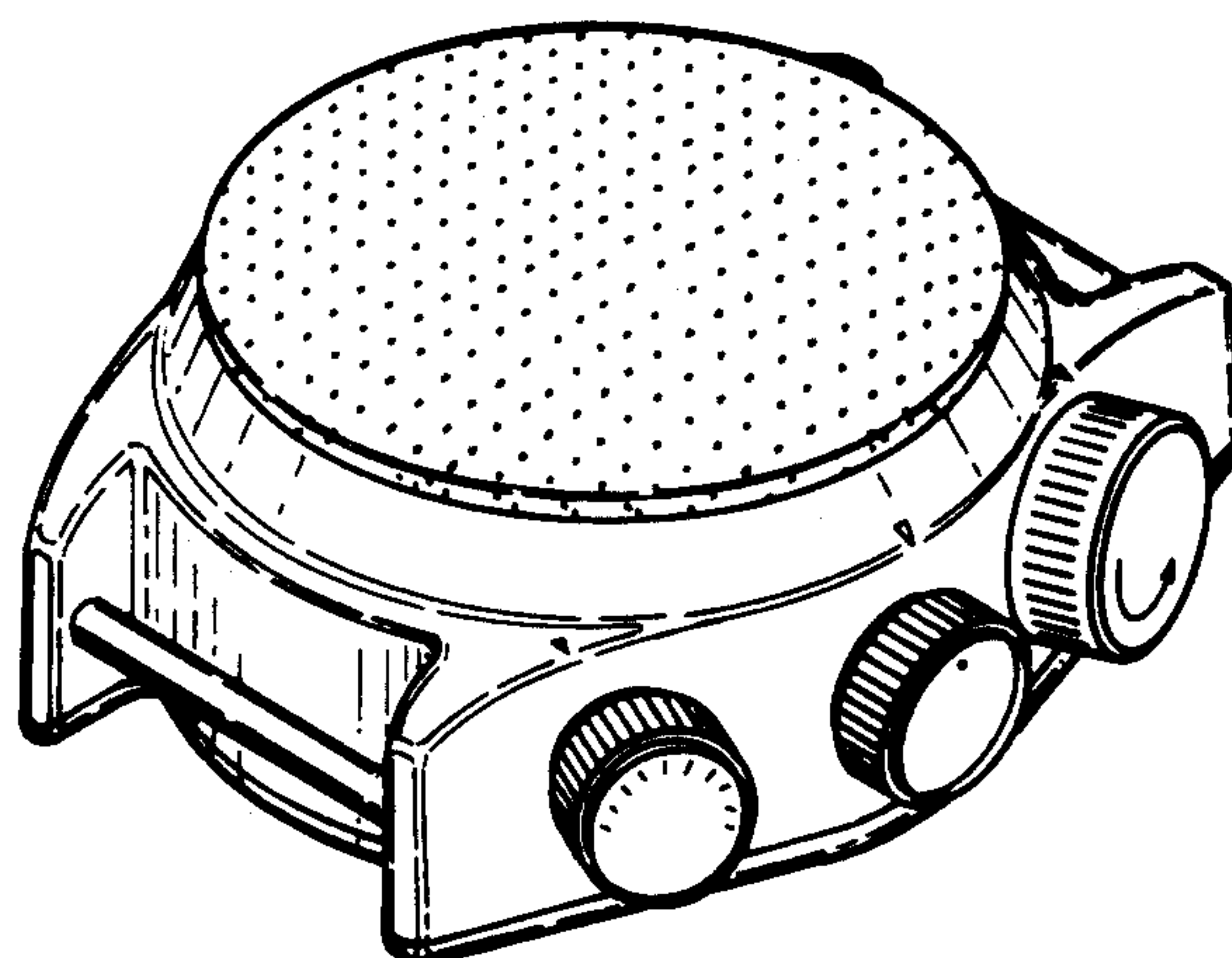


FIG. 7