

[54] COMBINED SUPPORT FOR DISPENSER AND WASTE RECEPTACLE

[75] Inventor: Andre R. Morin, Dollard des Ormeaux, Canada

[73] Assignee: GSW Limited - GSW Limitee

[**] Term: 14 Years

[21] Appl. No.: 733,788

[22] Filed: Oct. 19, 1976

[51] Int. Cl. D6-04; D7-07

[52] U.S. Cl. D7/193; D6/98; D7/194; D6/127

[58] Field of Search D7/163, 189, 191, 192, D7/193, 194, 195; 220/1 T, 18, 337, 338; 211/87, 88, 16, 86, 90; D6/96, 98, 114, 127; 206/233, 494; 248/311.1, DIG. 5; 221/33, 34, 45; 232/1 R, 1 E; 312/37, 42, 50, 211

[56] References Cited

U.S. PATENT DOCUMENTS

D. 227,649	7/1973	Nilsson	D7/193
D. 229,473	12/1973	Henry	D7/193 X
D. 241,112	8/1976	Rafty	D7/194
1,888,127	11/1932	Hearne	220/18
2,887,216	5/1959	Hargraves	248/311.1 X
3,033,362	5/1962	Marcalus	206/494
3,089,583	5/1963	White	206/233
3,089,586	5/1963	Cole	221/45 X
3,141,569	7/1964	Hanson	206/494 X
3,760,975	9/1973	Nilsson	D7/193 UX

Primary Examiner—Wallace R. Burke
Assistant Examiner—Catherine Kemper
Attorney, Agent, or Firm—Douglas S. Johnson

[57] CLAIM

The ornamental design for a combined support for dispenser and waste receptacle, as shown.

DESCRIPTION

FIG. 1 is a top front perspective view of a combined support for dispenser and waste receptacle, showing my new design;
FIG. 2 is a bottom rear perspective view thereof.

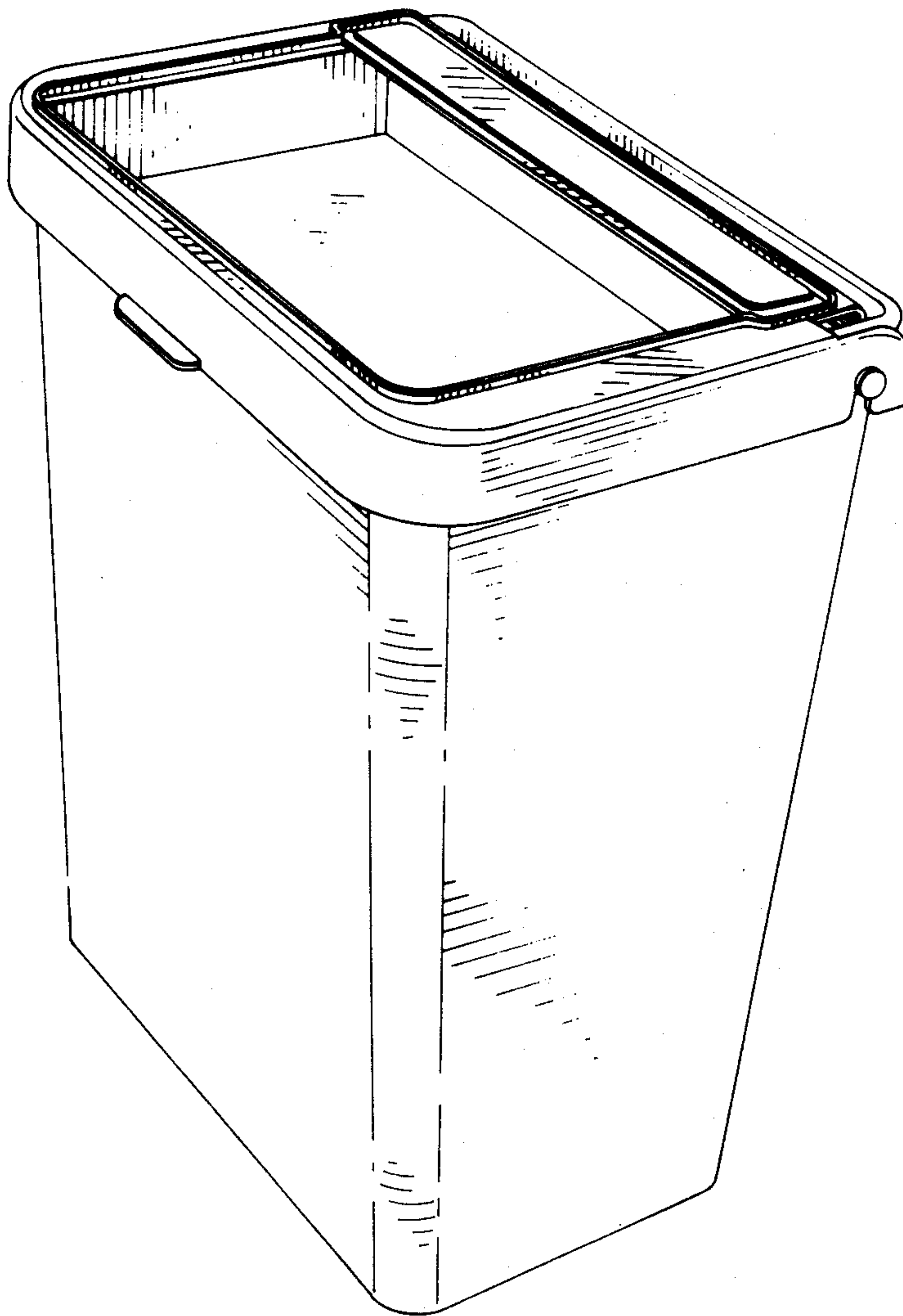


FIG.2

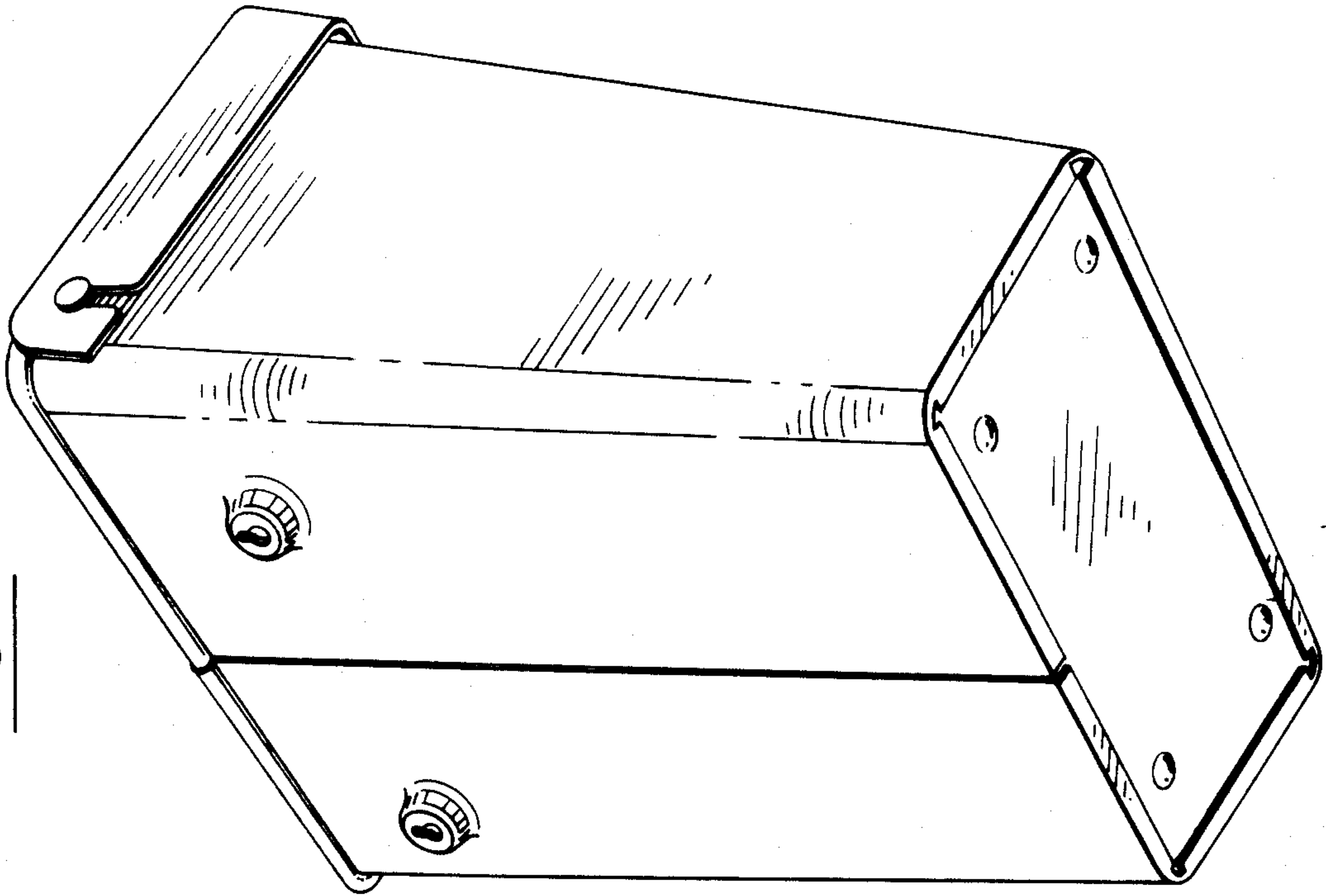


FIG.1

