

[54] CHAIR

[76] Inventor: Steven D. Gageby, 12 Hay Camp Rd., North Oaks, Minn. 55110

[**] Term: 14 Years

[21] Appl. No.: 677,629

[22] Filed: Apr. 16, 1976

[51] Int. Cl. D6-01

[52] U.S. Cl. D6/67; D6/56

[58] Field of Search D6/20, 26, 30, 31, 35, D6/36, 47, 65, 66, 67, 69, 70, 73, 78; 297/463

[56] References Cited

U.S. PATENT DOCUMENTS

D. 235,235	6/1975	Blodde	D6/72 X
D. 238,224	12/1975	Reenskaug	D6/73
2,135,586	11/1938	Lorenz et al.	D6/56 X

OTHER PUBLICATIONS

"Selig Imports" Cat. p. D17B, chair. Interiors, 1-1966, p. 16, chair left center.

Primary Examiner—Bruce W. Dunkins

[57] CLAIM

The ornamental design for a chair, as shown and described.

DESCRIPTION

FIG. 1 is a side elevation view of a chair showing my new design, the undisclosed side being substantially identical with the side shown;

FIG. 2 is a front elevation view thereof;

FIG. 3 is a rear elevation view thereof;

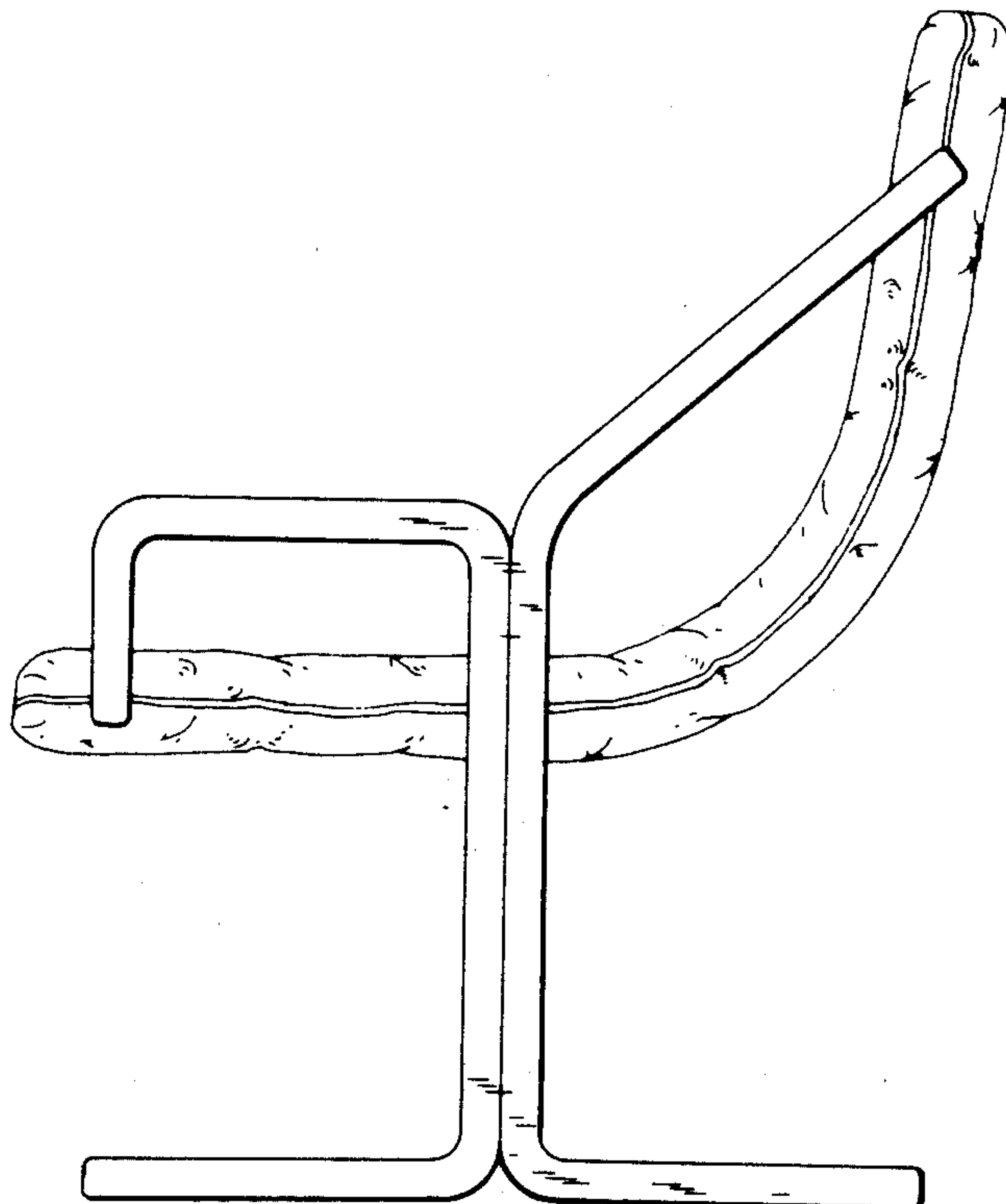
FIG. 4 is a top view thereof;

FIG. 5 is a second embodiment of FIG. 1;

FIG. 6 is a third embodiment of FIG. 1;

FIG. 7 is a fourth embodiment of FIG. 1; and

FIG. 8 is a cross-section taken on line 8-8 of FIG. 2.



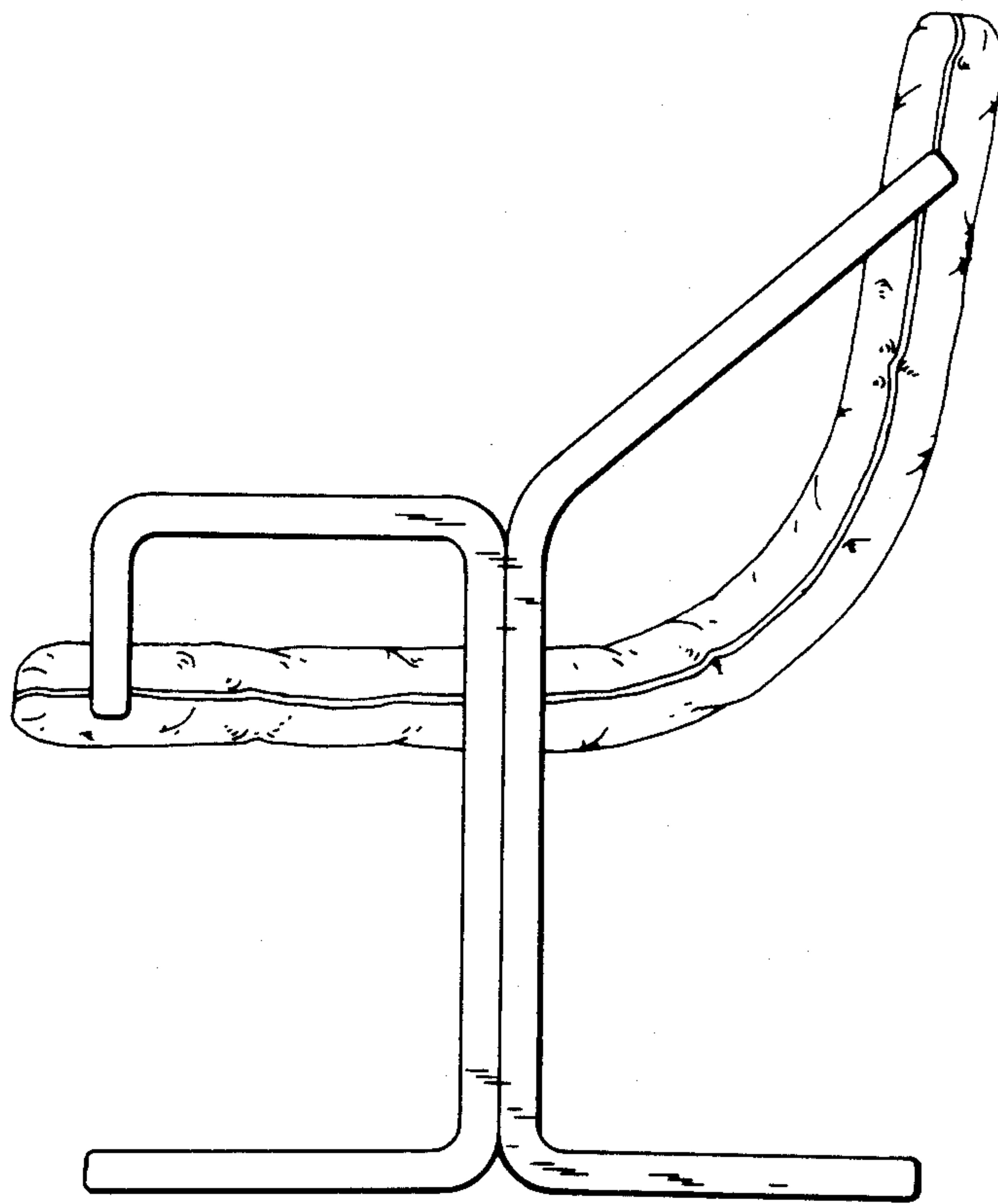


FIG. 1

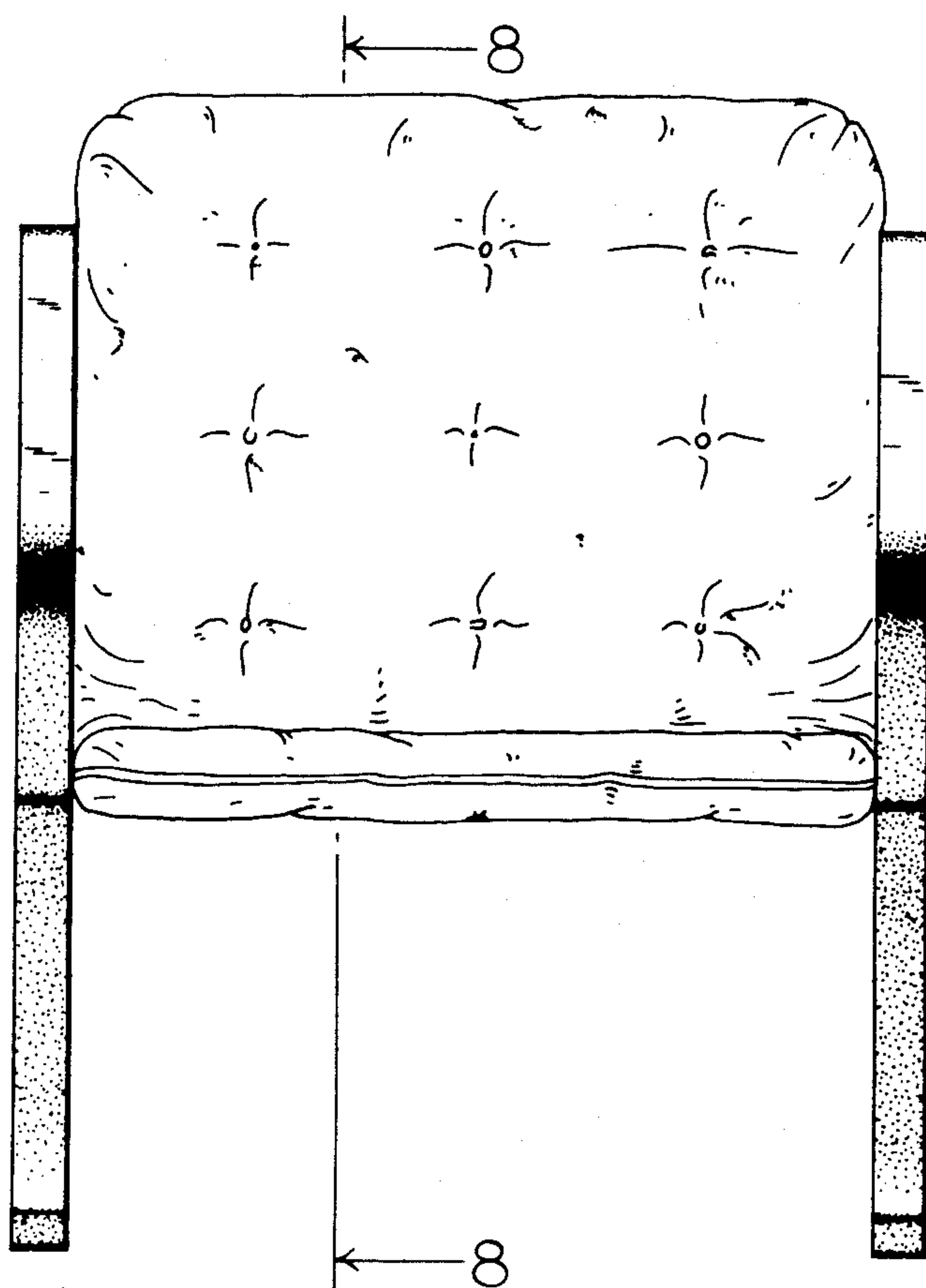


FIG. 2

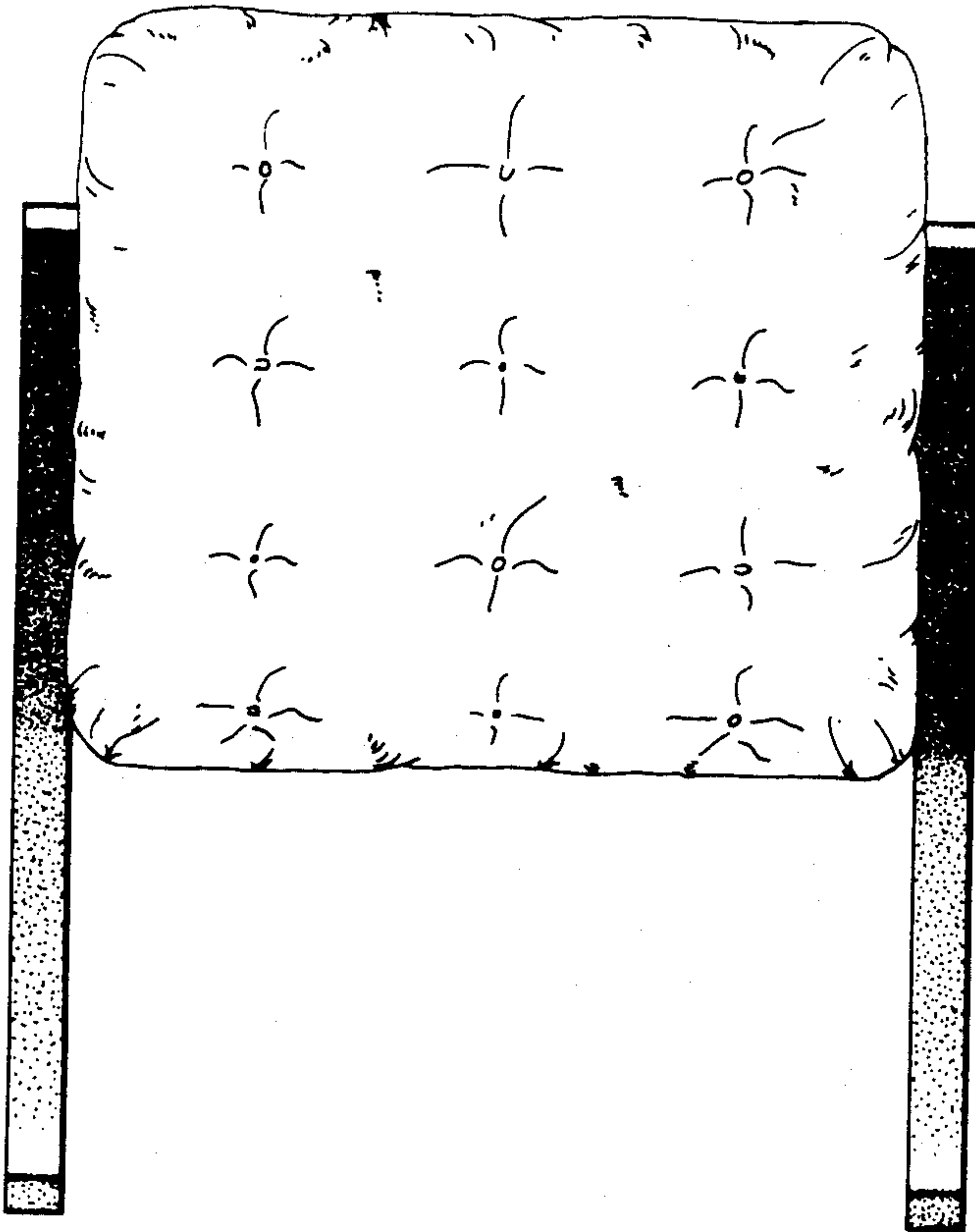


FIG. 3

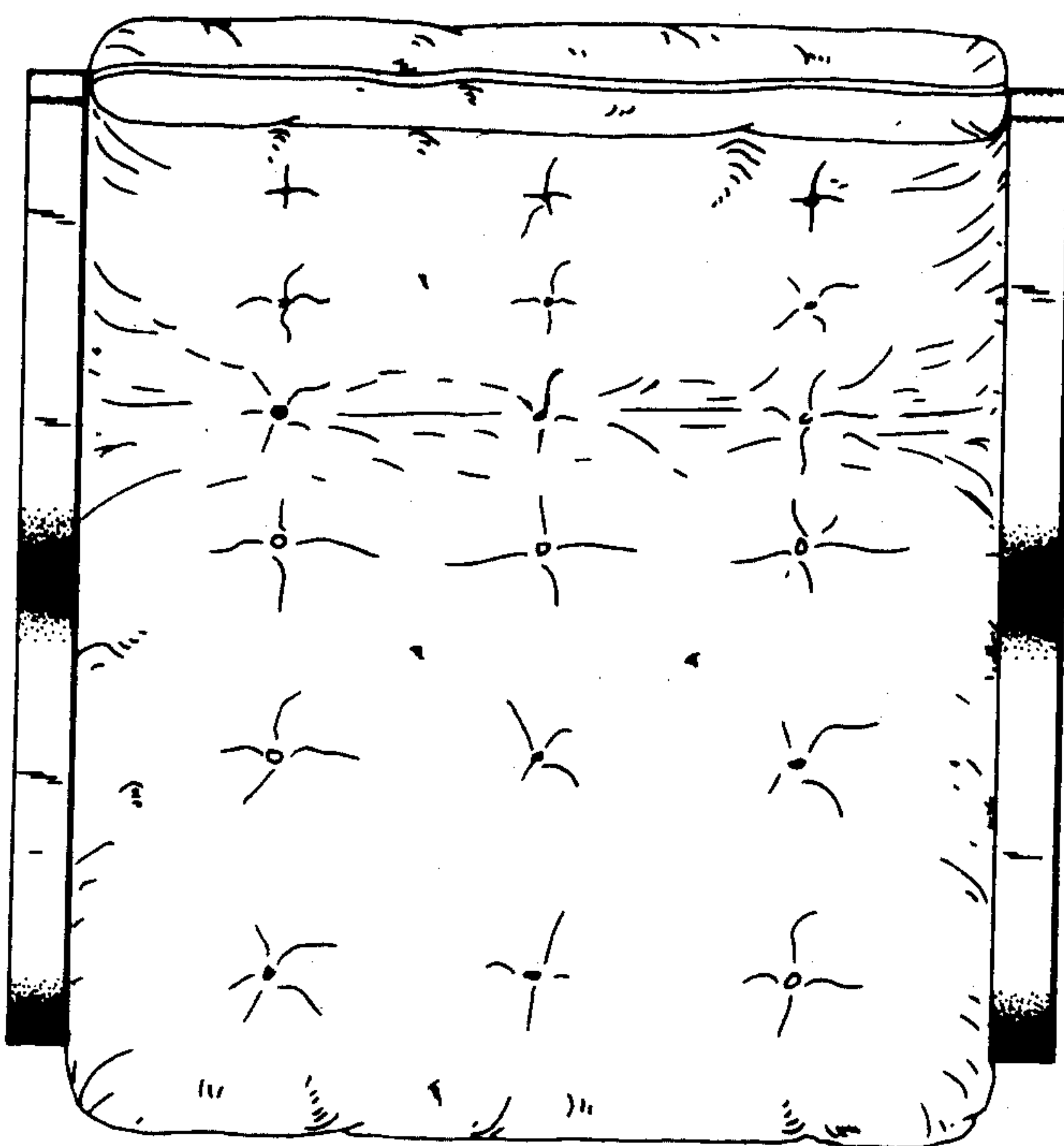


FIG. 4

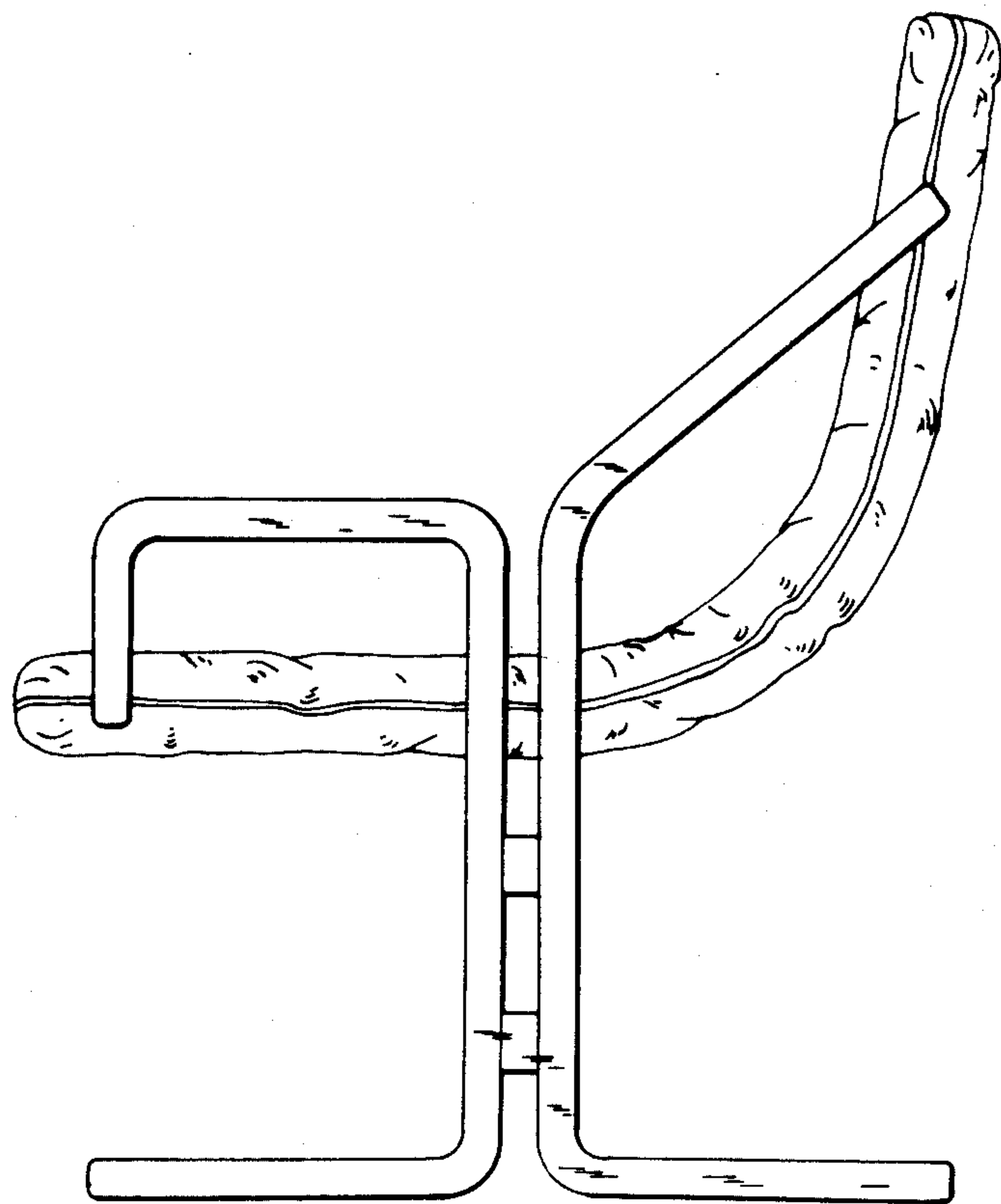


FIG. 5

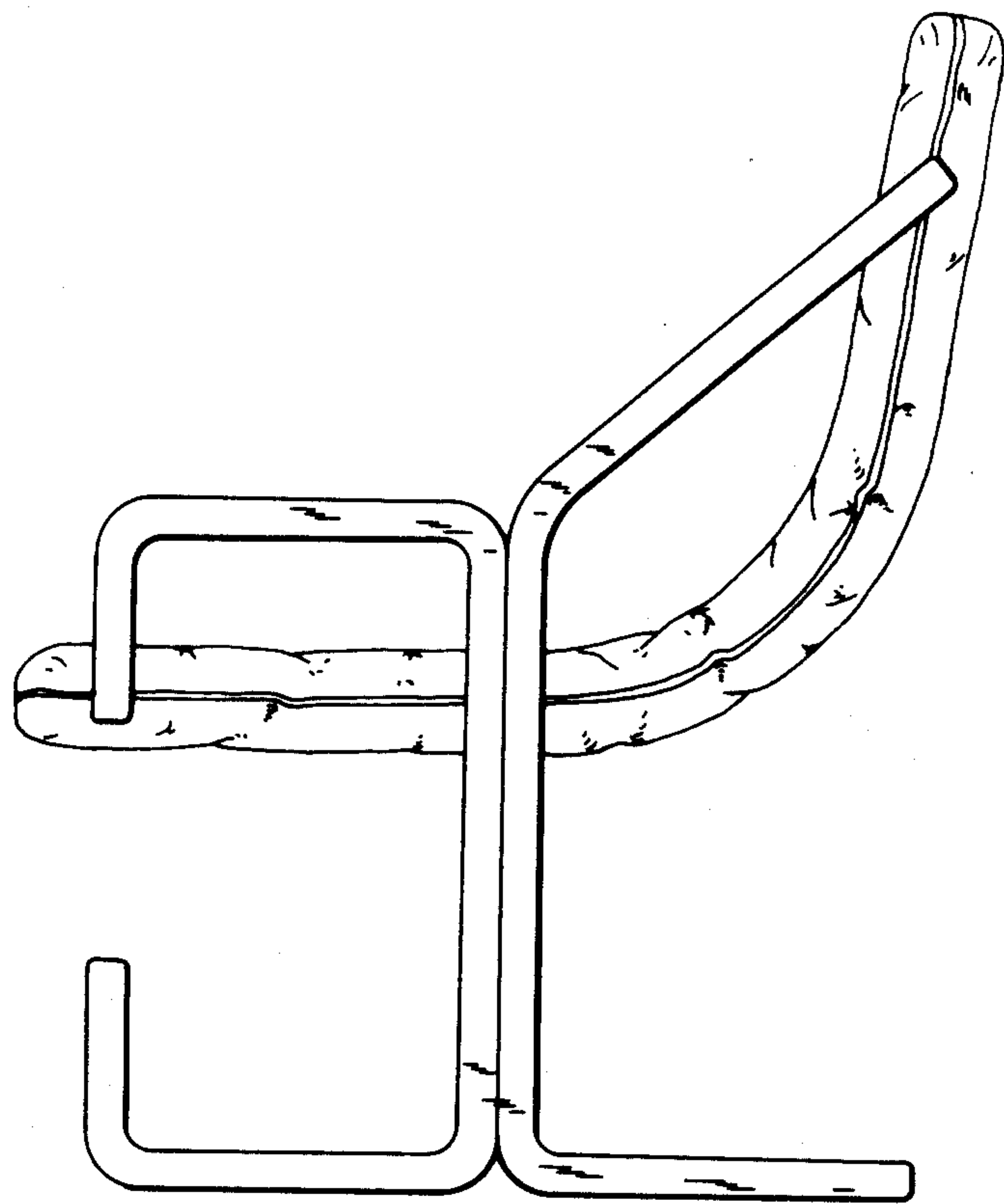


FIG. 6

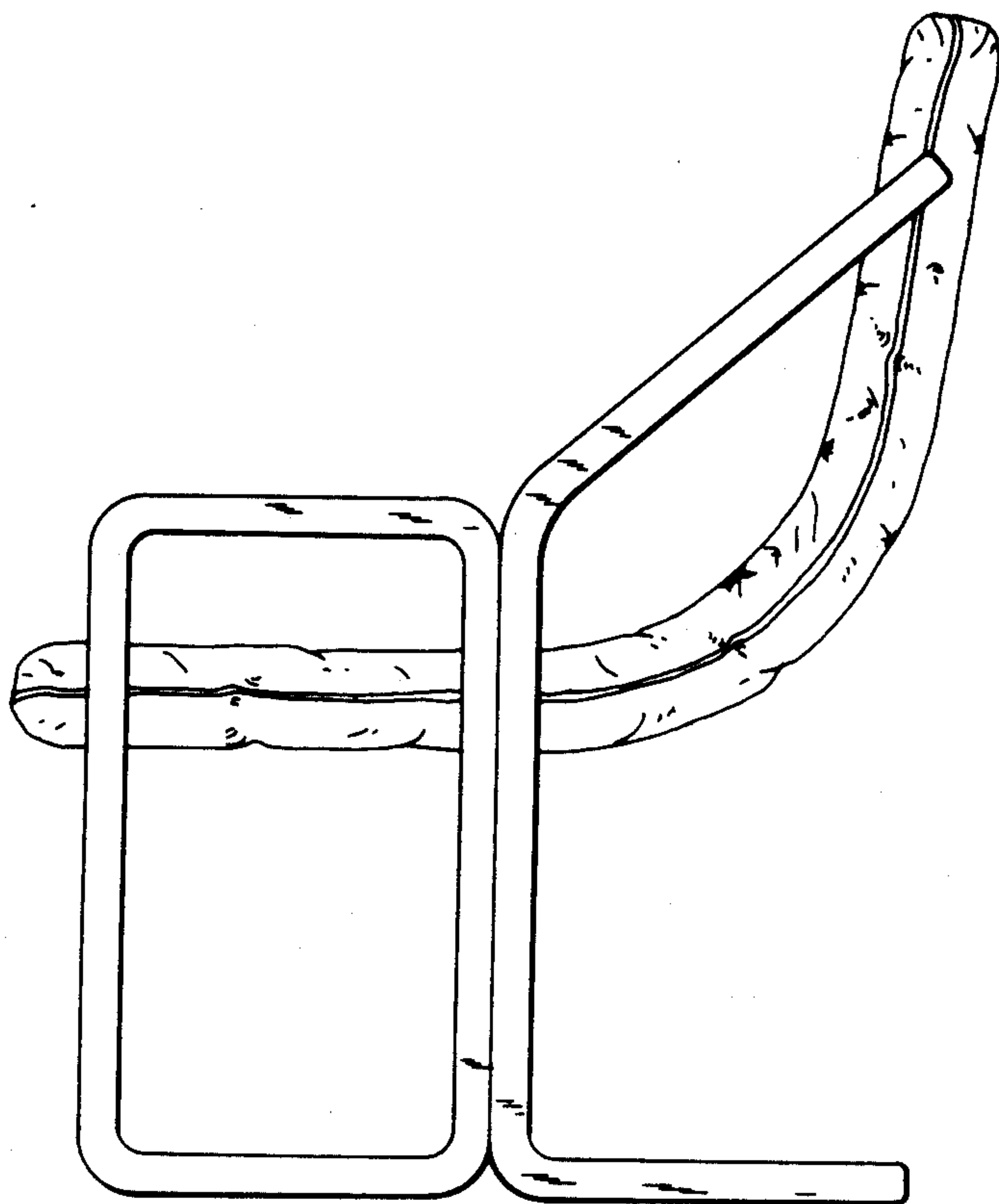


FIG. 7

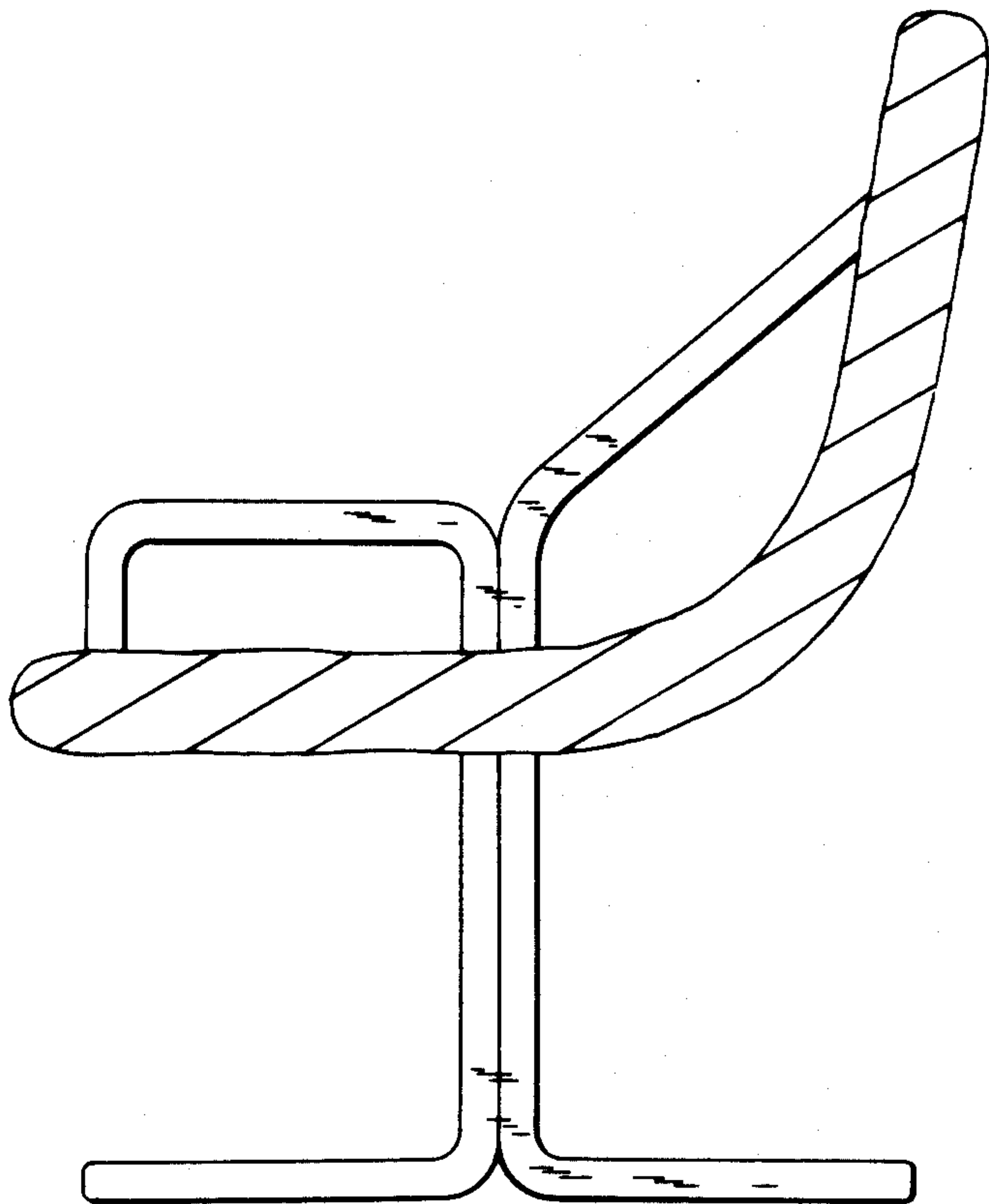


FIG. 8