

[54] TOY AIRPLANE

[75] Inventor: Arthur P. Venditti, Peabody, Mass.

[73] Assignee: General Mills Fun Group, Inc., Minneapolis, Minn.

[**] Term: 14 Years

[21] Appl. No.: 741,182

[22] Filed: Nov. 12, 1976

[51] Int. Cl. D21-01

[52] U.S. Cl. D34/15 HH

[58] Field of Search D34/15 HH, 15 HR; D12/71, 73, 74, 77, 78, 86; 46/74 R, 76 R, 77, 78, 79, 81

[56] References Cited

U.S. PATENT DOCUMENTS

D. 238,888	2/1976	Bradley	D34/15 HH
1,724,110	8/1929	Reid	D12/71
3,581,432	6/1971	Bass	D34/15 HH

FOREIGN PATENT DOCUMENTS

171499 1921 United Kingdom 46/76 R

OTHER PUBLICATIONS

Entex Model Catalog, 2-1976, p. 16, Airplane at Se SA.

Primary Examiner—Joel Stearman

Assistant Examiner—C. A. Rademaker

Attorney, Agent, or Firm—Gene O. Enockson

[57] CLAIM

The ornamental design for a toy airplane, substantially as shown and described.

DESCRIPTION

FIG. 1 is a front perspective view of a toy airplane illustrating my new design;

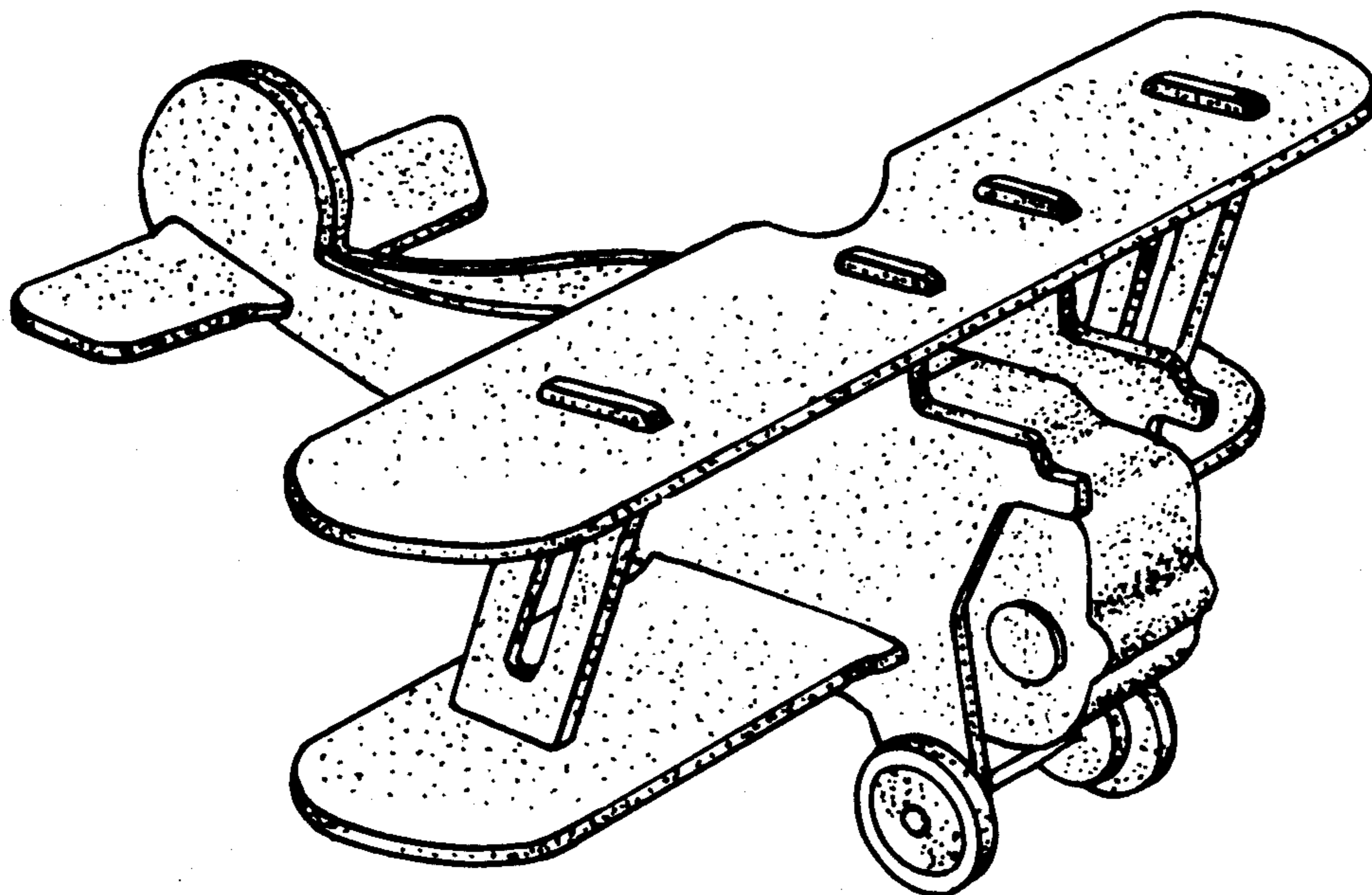
FIG. 2 is a top plan view thereof;

FIG. 3 is a side elevational view thereof, the side opposite being substantially a mirror image;

FIG. 4 is a bottom plan view thereof;

FIG. 5 is a front elevational view thereof; and

FIG. 6 is a rear elevational view thereof.



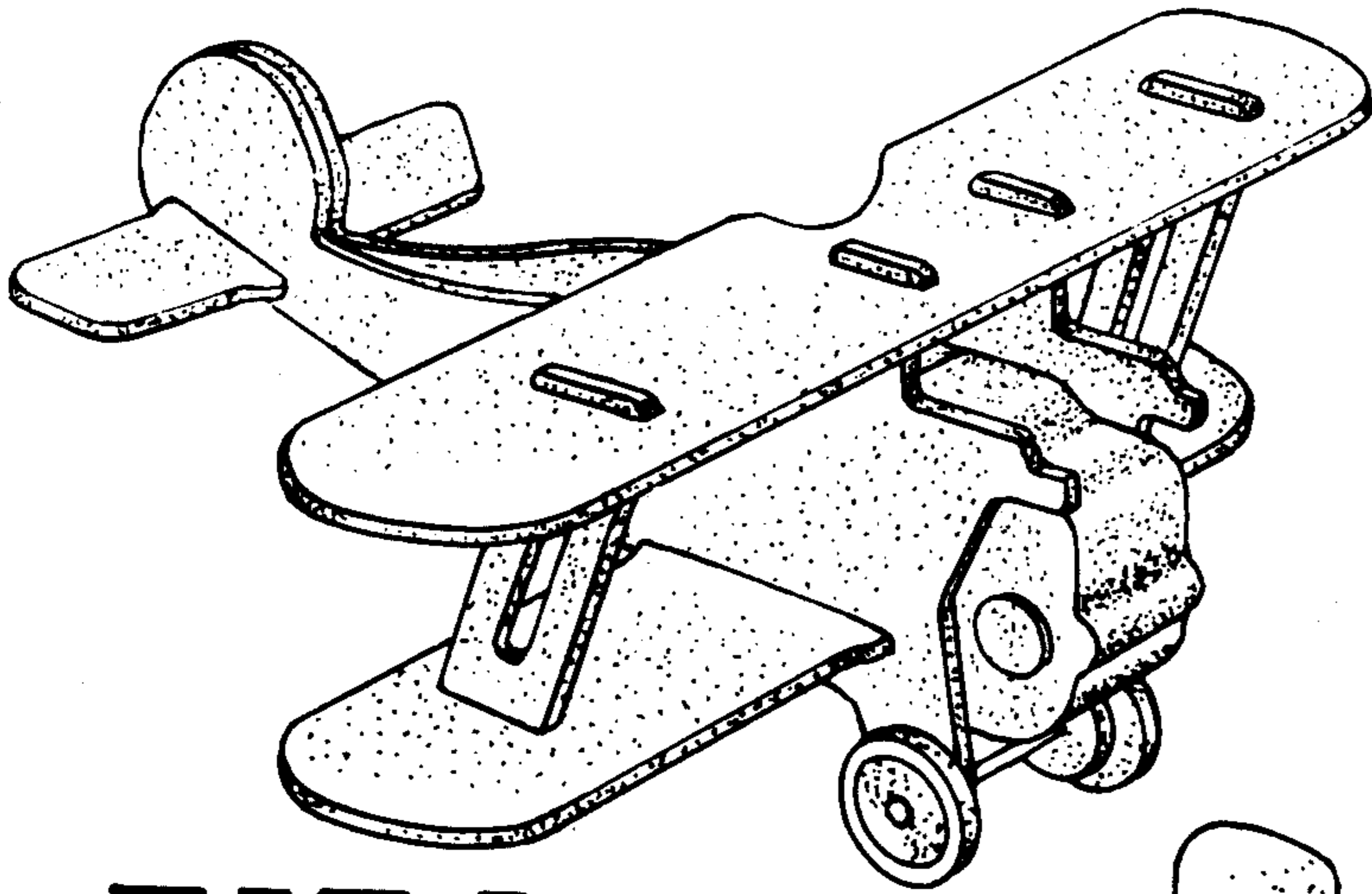


FIG. 1

FIG. 2

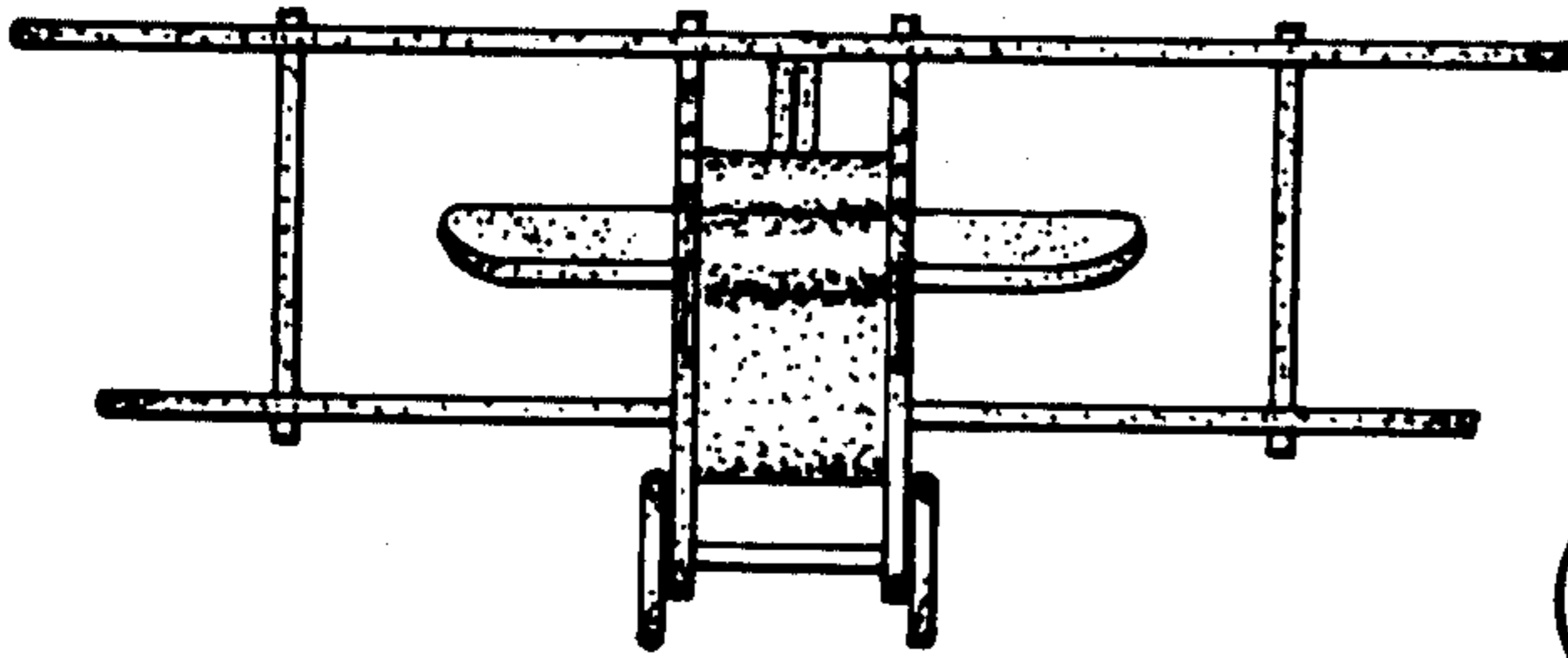
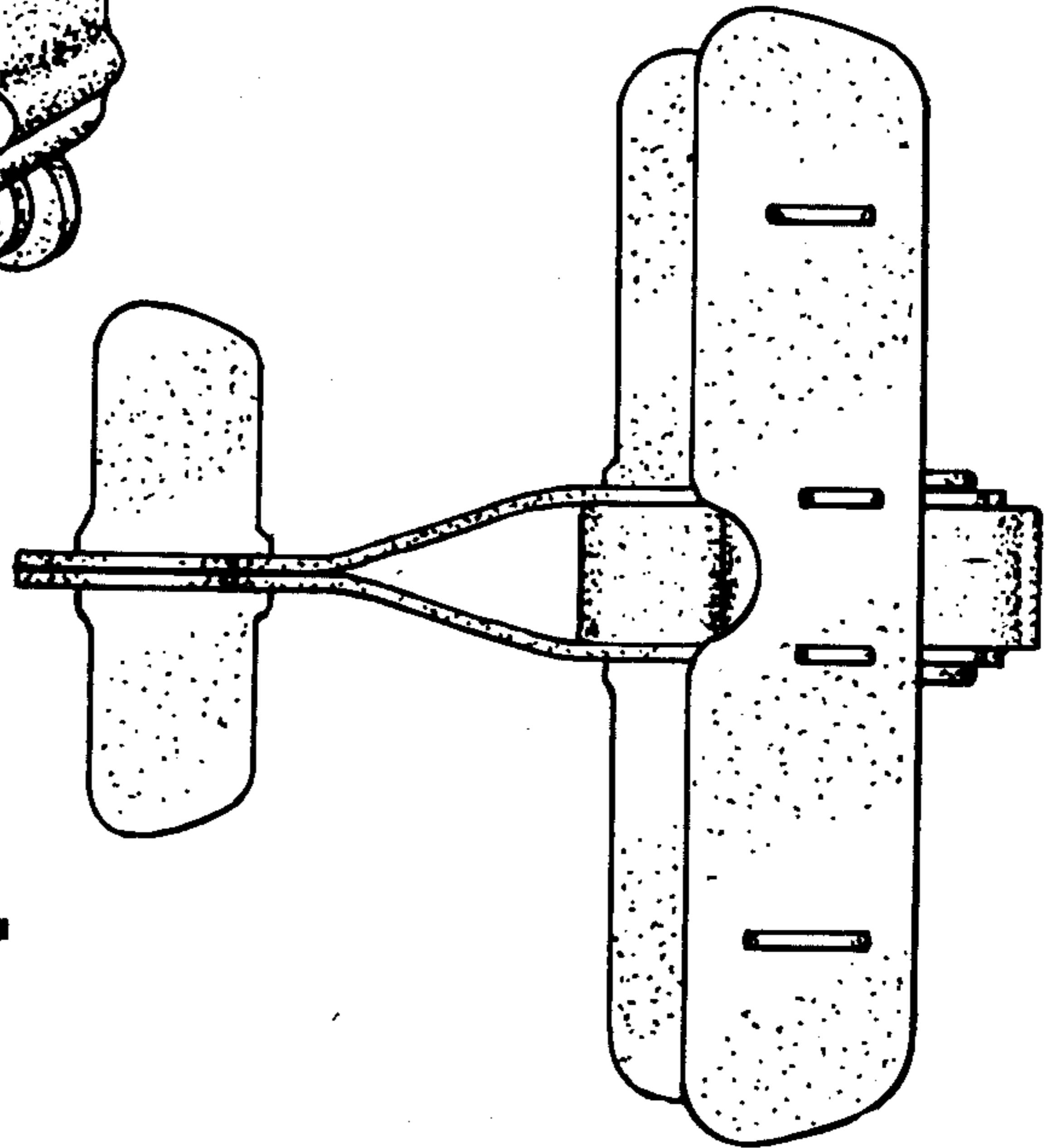


FIG. 5

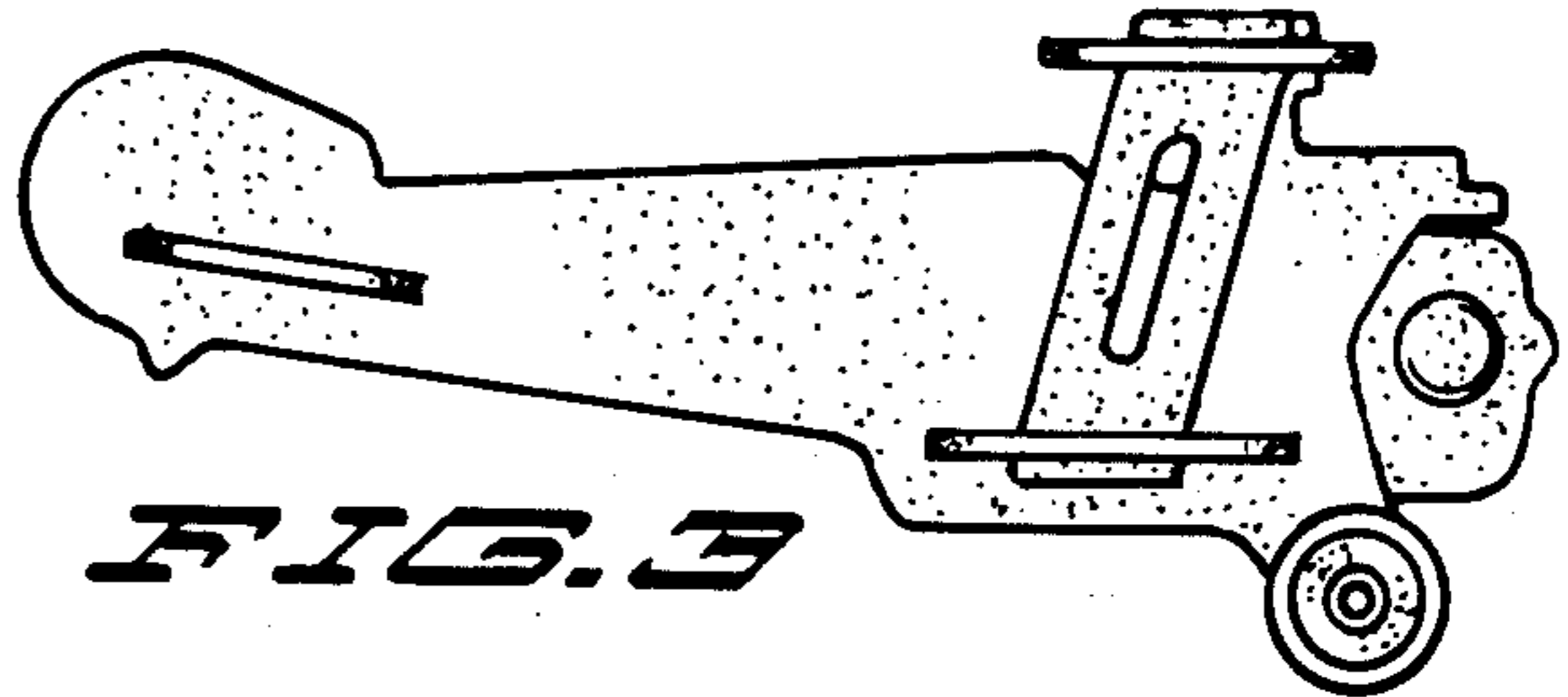


FIG. 3

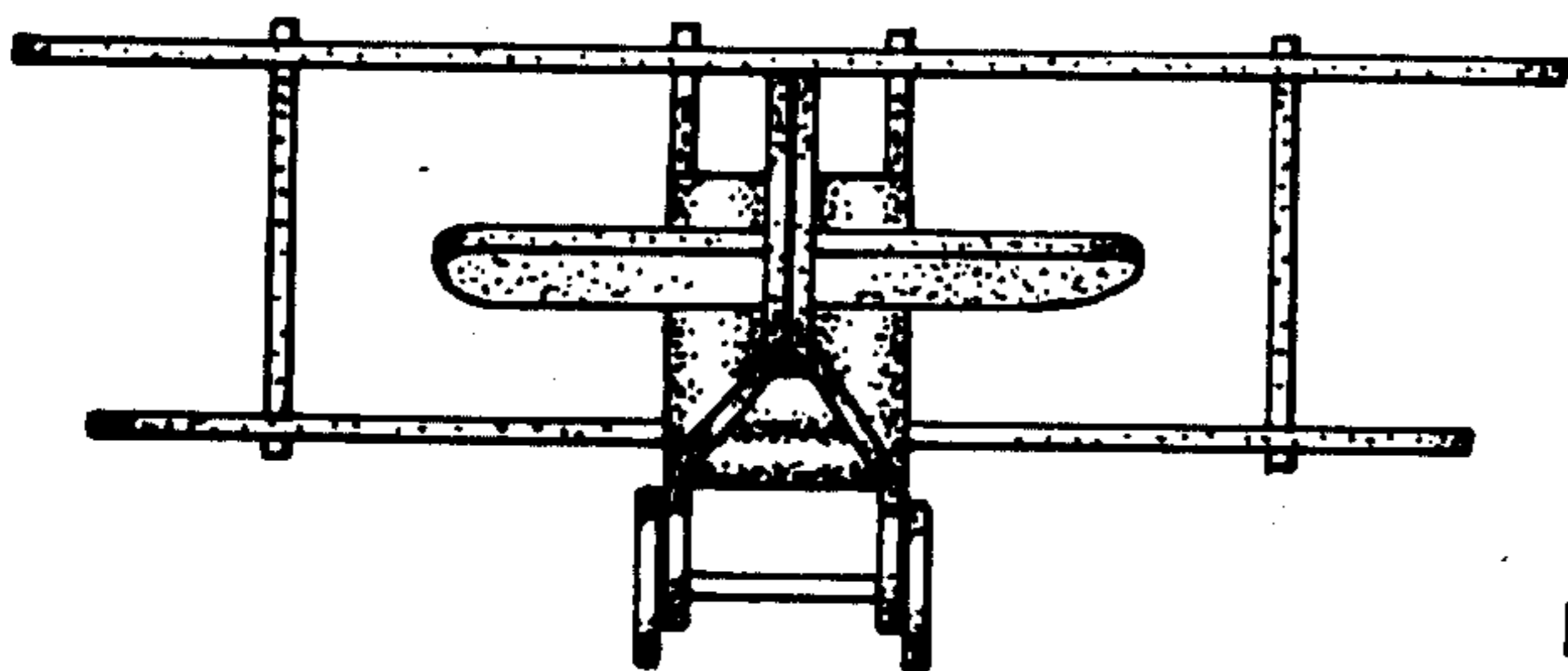


FIG. 6

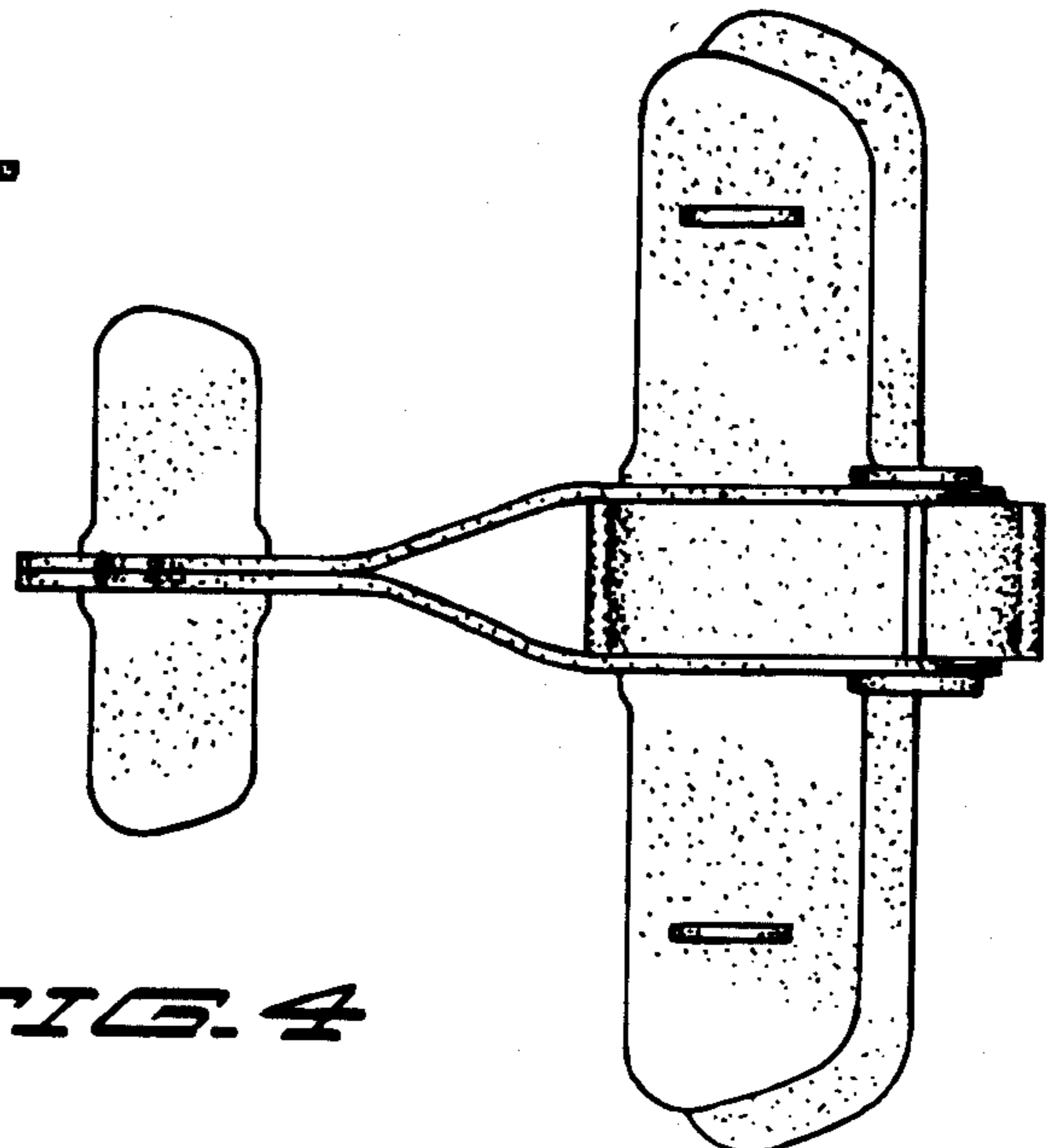


FIG. 4