

[54] TOY BULLDOZER

[75] Inventor: Jack L. Breneman, Orchard Park, N.Y.

[73] Assignee: The Quaker Oats Company, Chicago, Ill.

[\*\*] Term: 14 Years

[21] Appl. No.: 737,175

[22] Filed: Oct. 29, 1976

[51] Int. Cl. .... D21-01

[52] U.S. Cl. .... D34/15 AM; D34/15 AJ

[58] Field of Search .... D15/10, 24, 25; D34/15 AJ, 15 AM; 46/201, 202, 206, 210, 213

[56] References Cited

U.S. PATENT DOCUMENTS

D. 165,258	11/1951	Arnold, Jr. ....	D34/15 AJ
D. 236,642	9/1975	Fahrendorff .....	D34/15 AJ
1,741,878	12/1929	Rasmussen .....	D15/24

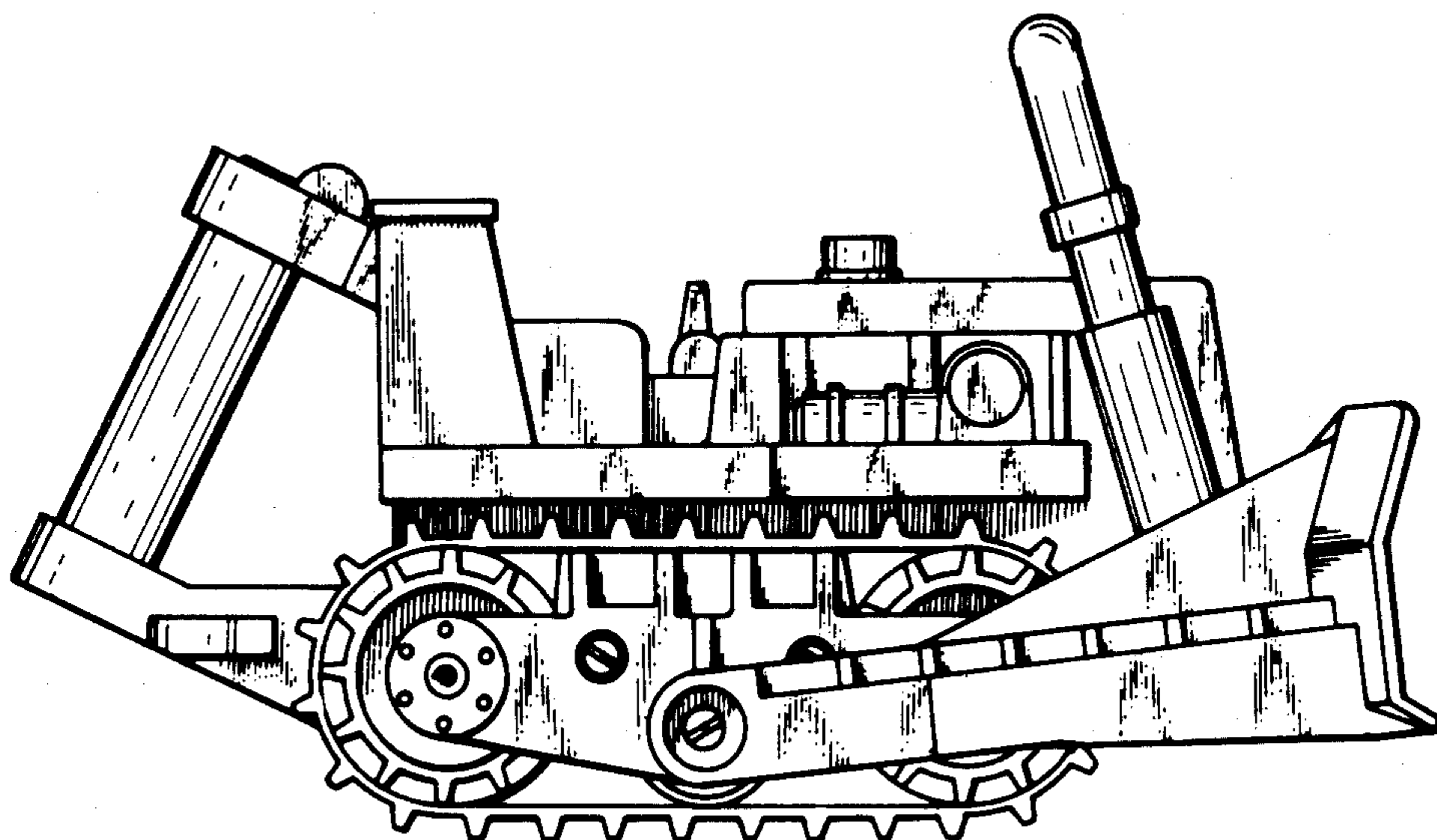
Primary Examiner—Joel Stearman  
Assistant Examiner—C. A. Rademaker  
Attorney, Agent, or Firm—George W. Shaw

[57] CLAIM

The ornamental design for a toy bulldozer, substantially as shown.

DESCRIPTION

FIG. 1 is a right-side elevational view of a toy bulldozer showing my new design;  
FIG. 2 is a top plan view thereof;  
FIG. 3 is a front elevational view thereof;  
FIG. 4 is a left-side elevational view thereof;  
FIG. 5 is a rear elevational view thereof; and  
FIG. 6 is a bottom plan view thereof.



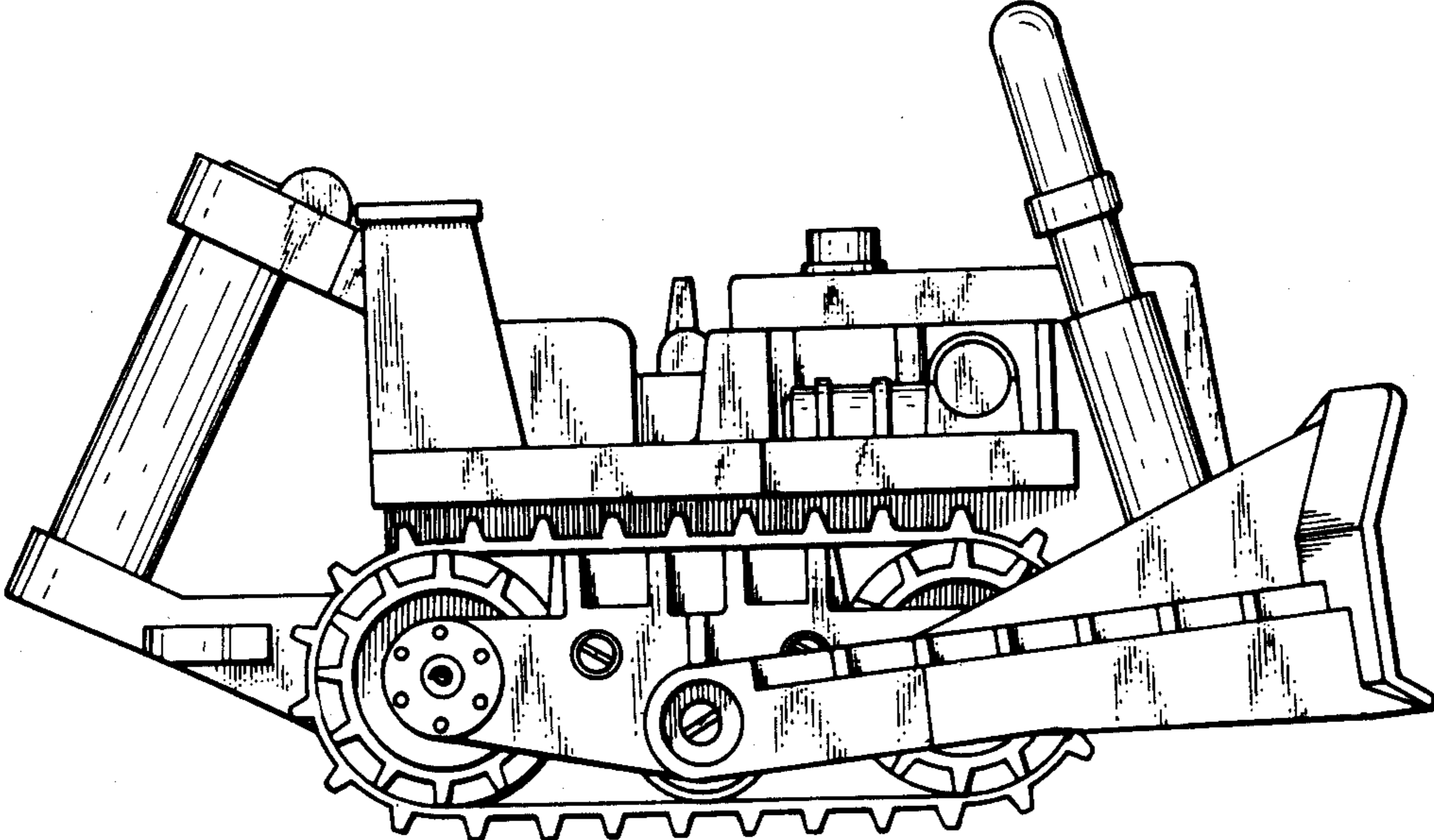


FIG. 1

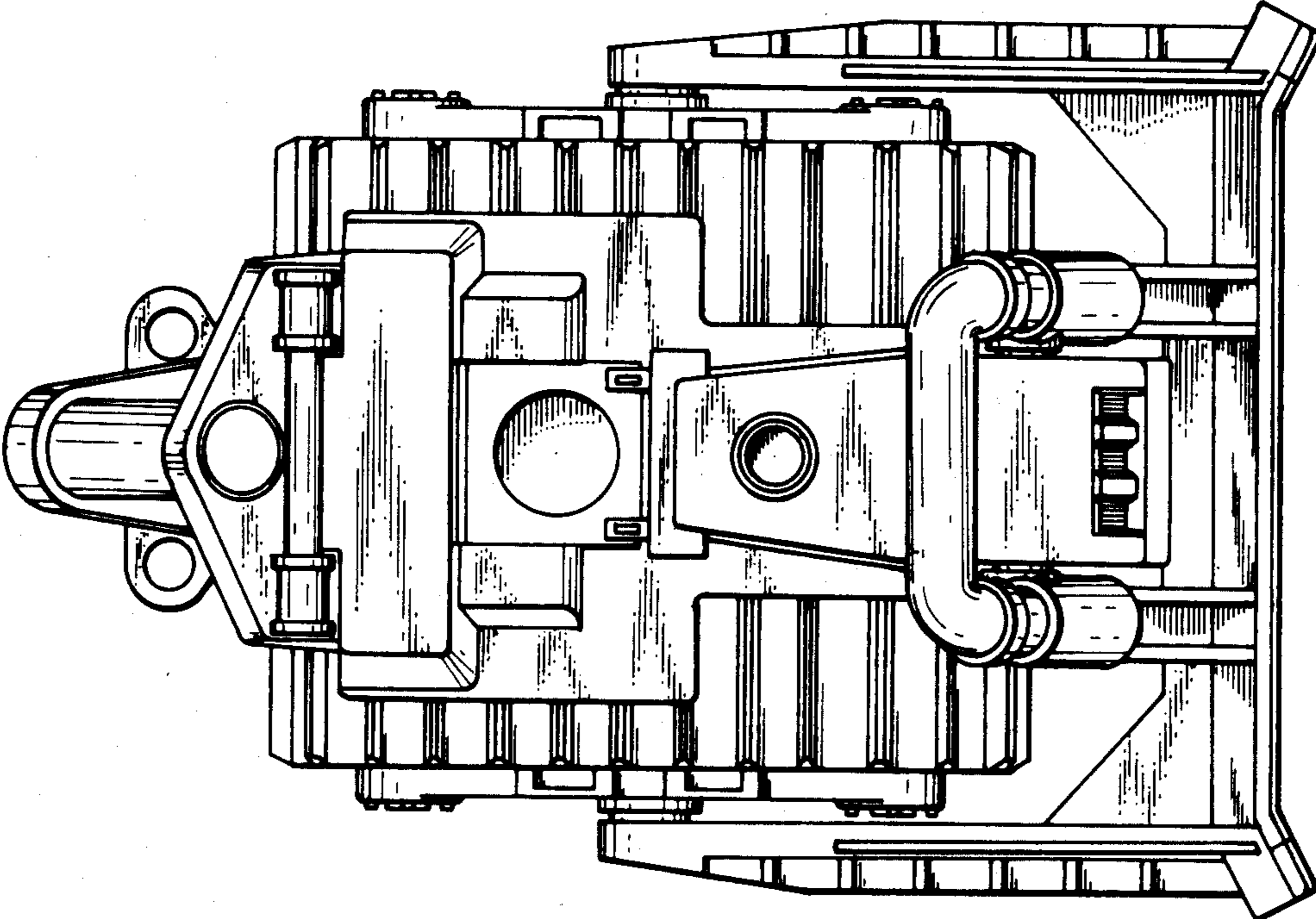
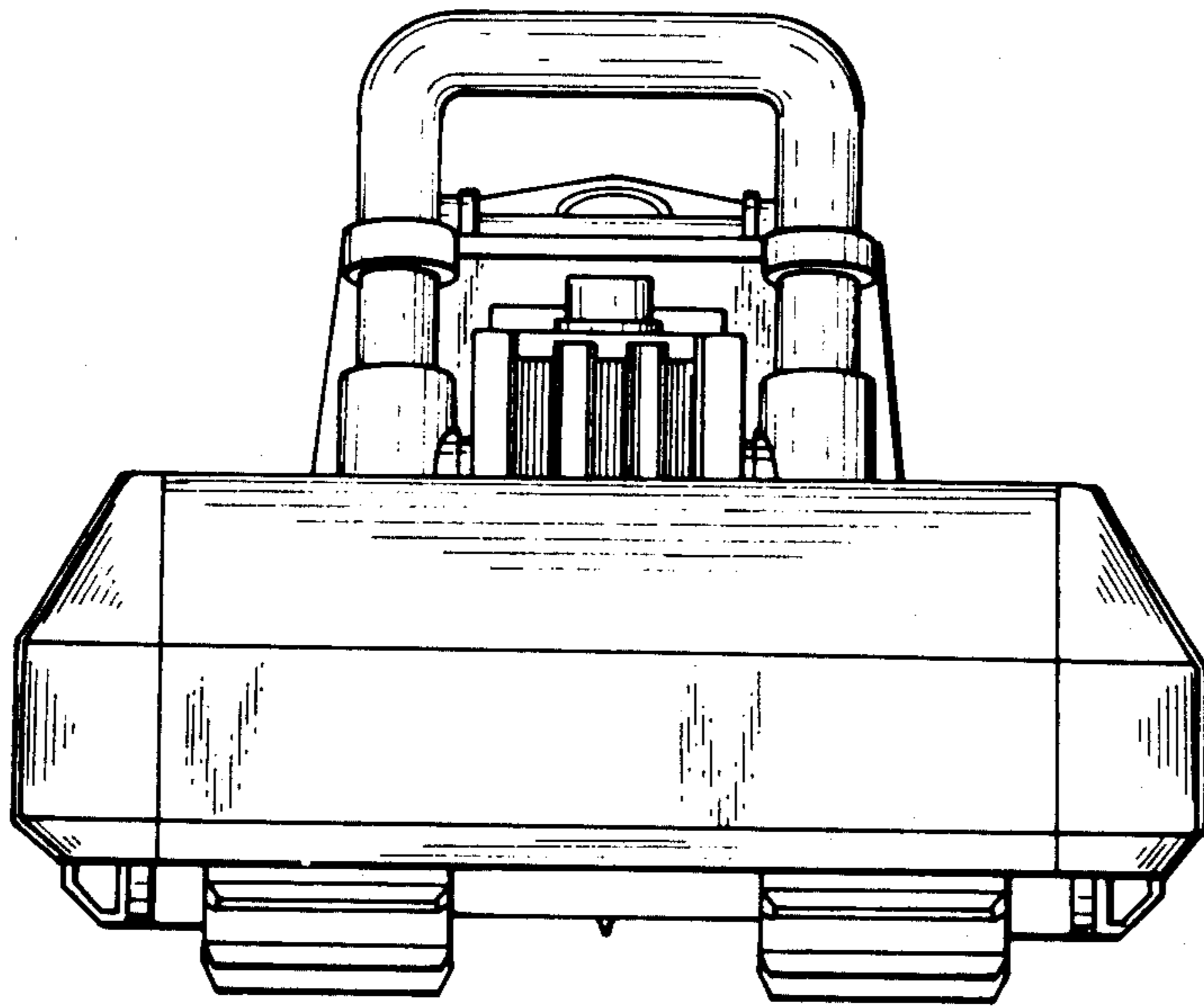
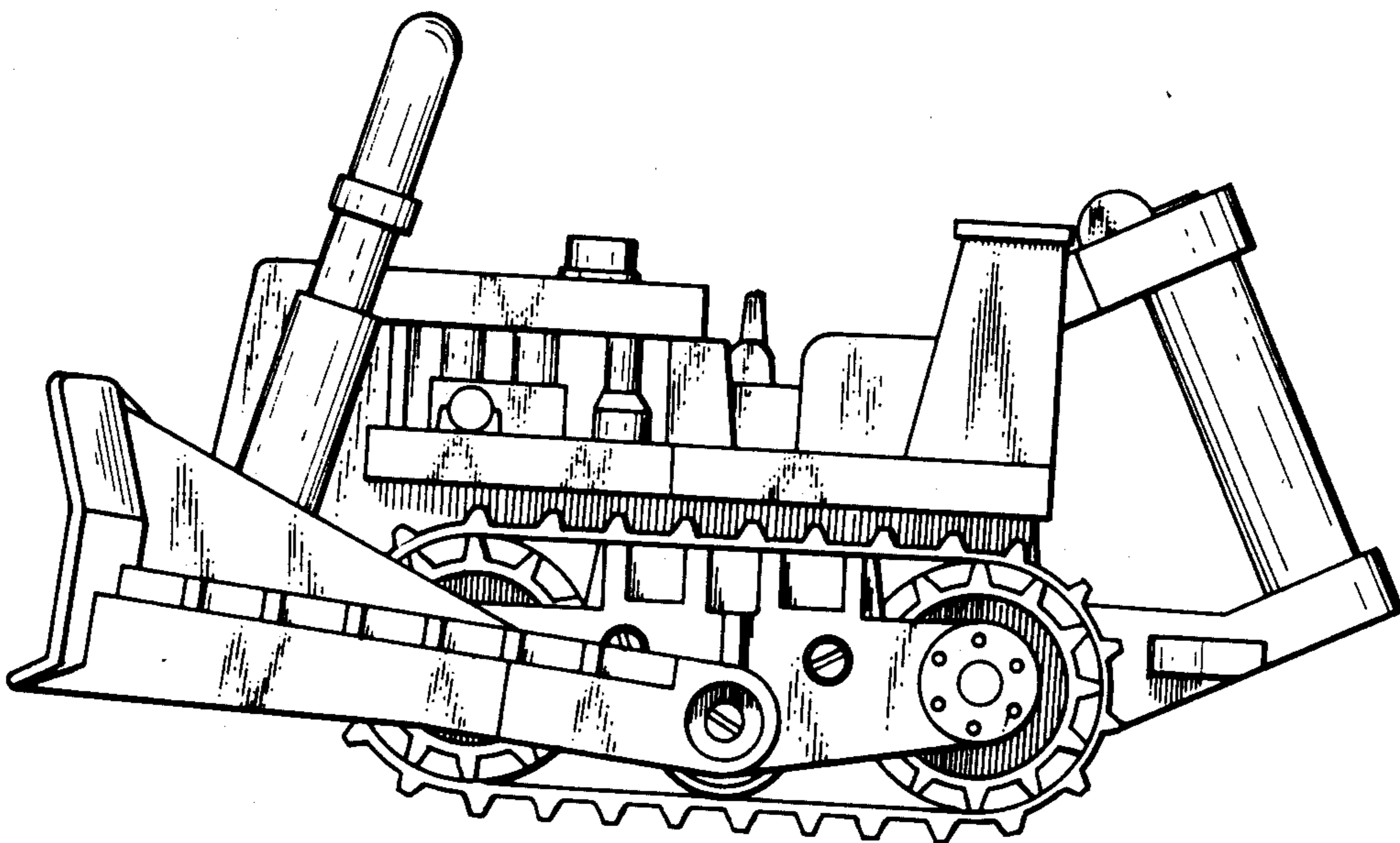


FIG. 2



**FIG. 3**



**FIG. 4**

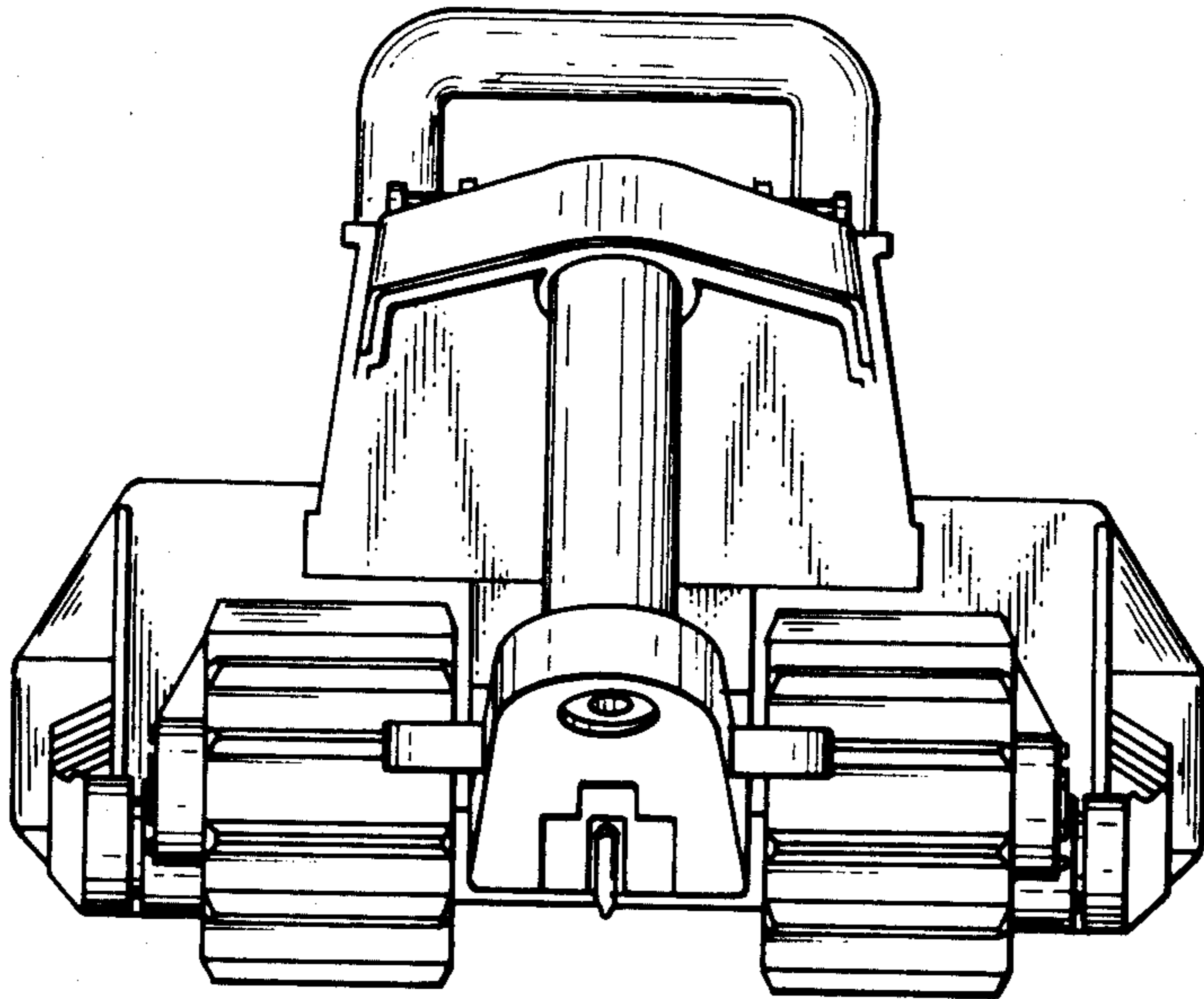


FIG. 5

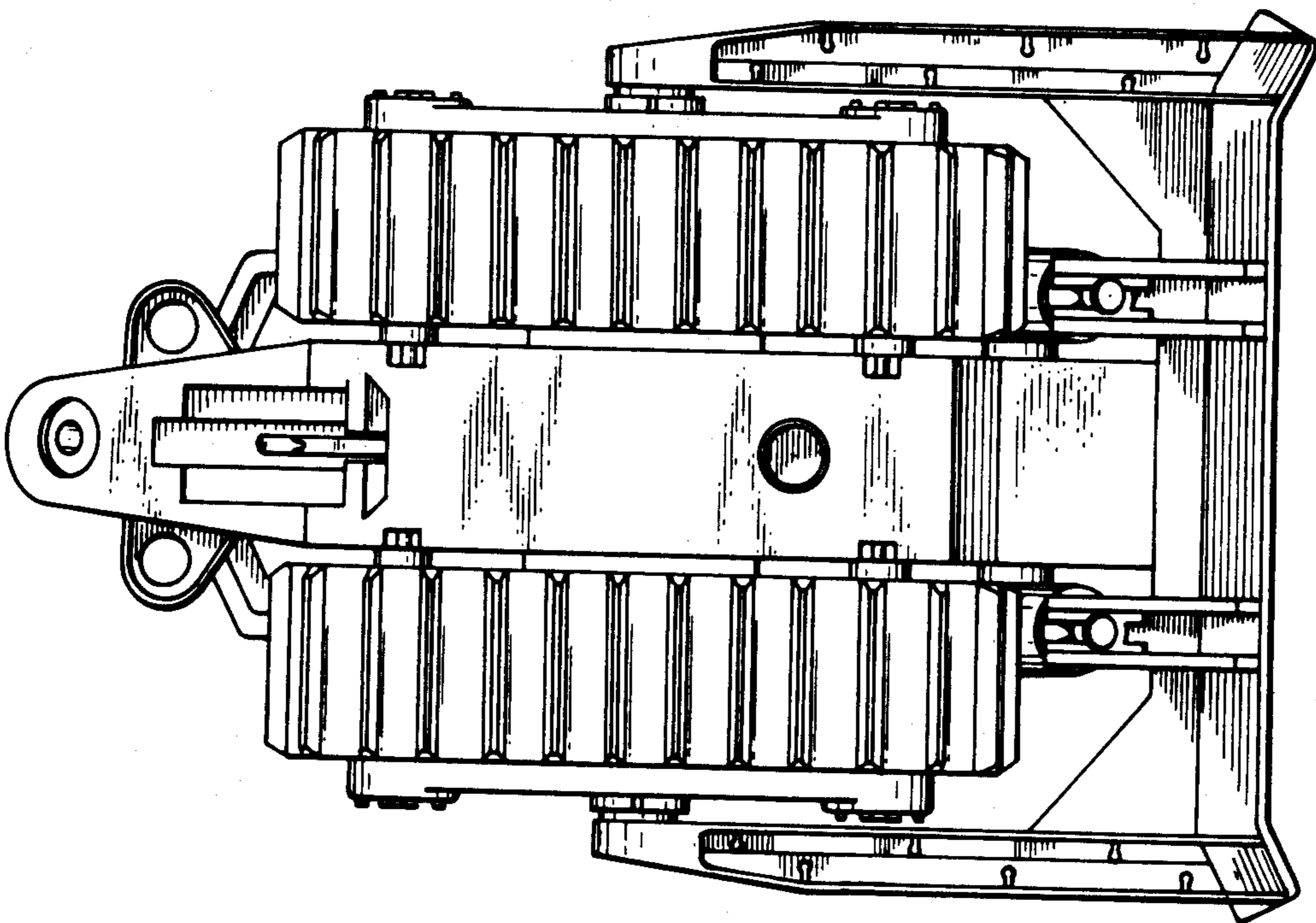


FIG. 6