

[54] PORTABLE HAIR DRYER

- [75] Inventors: Morison S. Cousins; Michael A. Cousins, both of New York, N.Y.
- [73] Assignee: The Gillette Company, Boston, Mass.
- [**] Term: 14 Years
- [21] Appl. No.: 832,537
- [22] Filed: Sep. 12, 1977
- [51] Int. Cl. D28-03
- [52] U.S. Cl. D28/16; D28/13
- [58] Field of Search D28/10-18; D4/14, 19-21; 219/222; 132/9; 34/96-98

[56] References Cited

U.S. PATENT DOCUMENTS

D. 29,051	7/1898	Lake et al.	D11/182
D. 70,024	4/1926	Meyer	D28/17
3,846,047	11/1974	Wada et al.	34/97
3,860,174	1/1975	Cercone	34/97 X

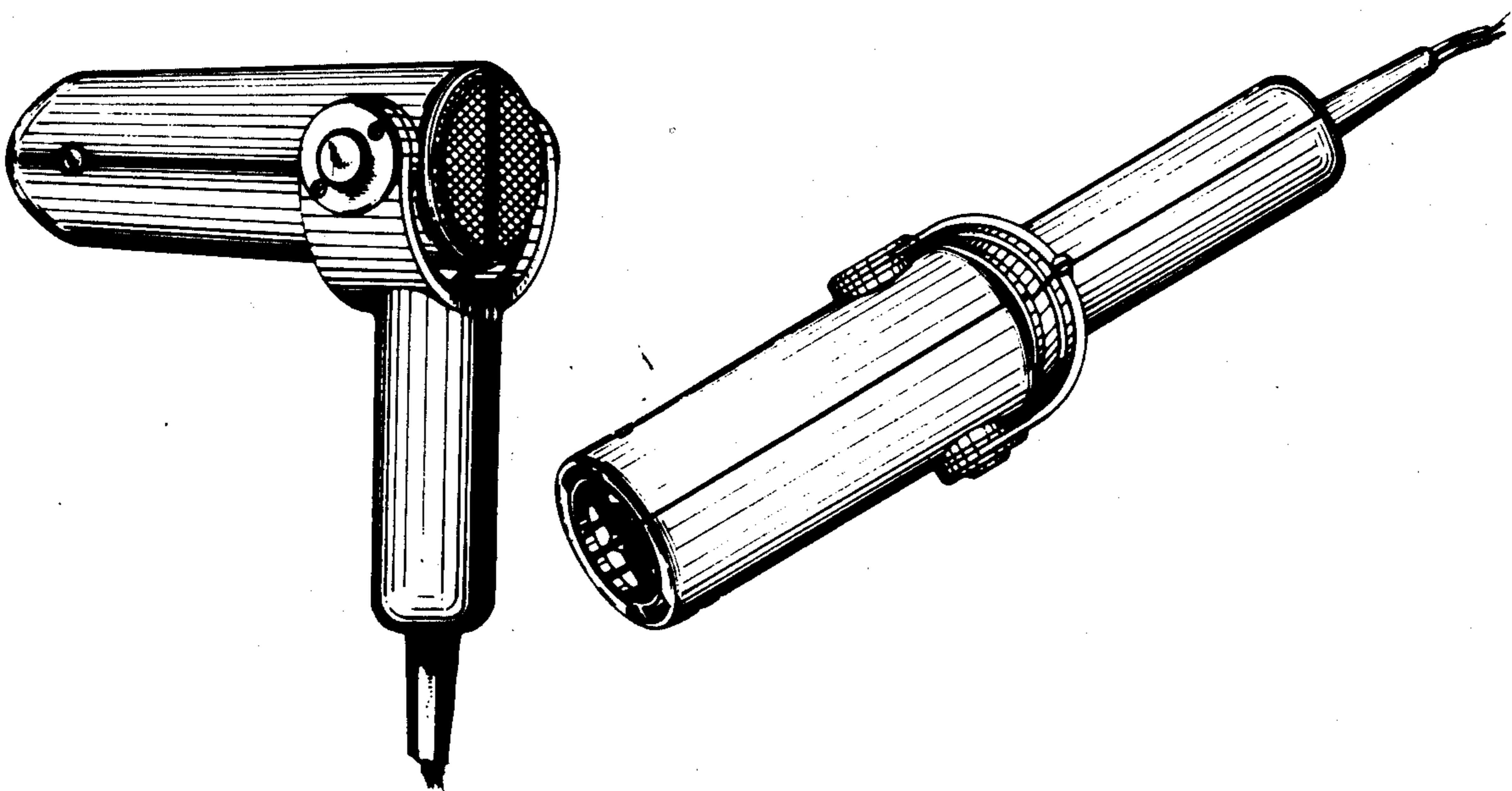
Primary Examiner—Louis S. Zarfes
Attorney, Agent, or Firm—Richard A. Wise

[57] CLAIM

The ornamental design for a portable hair dryer, as shown and described.

DESCRIPTION

FIG. 1 is a perspective view of a portable hair dryer in a first position showing our new design;
 FIG. 2 is a left end elevational view of the hair dryer of FIG. 1;
 FIG. 3 is a right end elevational view of the hair dryer of FIG. 1;
 FIG. 4 is a rear elevational view of the hair dryer of FIG. 1;
 FIG. 5 is a front elevational view of the hair dryer of FIG. 1;
 FIG. 6 is a top plan view of the hair dryer of FIG. 1;
 FIG. 7 is a bottom plan view of the hair dryer of FIG. 1;
 FIG. 8 is a perspective view of the portable hair dryer in a second position;
 FIG. 9 is a left end elevational view of the hair dryer of FIG. 8;
 FIG. 10 is a right end elevational view of the hair dryer of FIG. 8;
 FIG. 11 is a front elevational view of the hair dryer of FIG. 8;
 FIG. 12 is a rear elevational view of the hair dryer of FIG. 8;
 FIG. 13 is a top plan view of the hair dryer of FIG. 8;
 FIG. 14 is a bottom plan view of the hair dryer of FIG. 8.
 The cord is shown broken away for convenience of illustration.



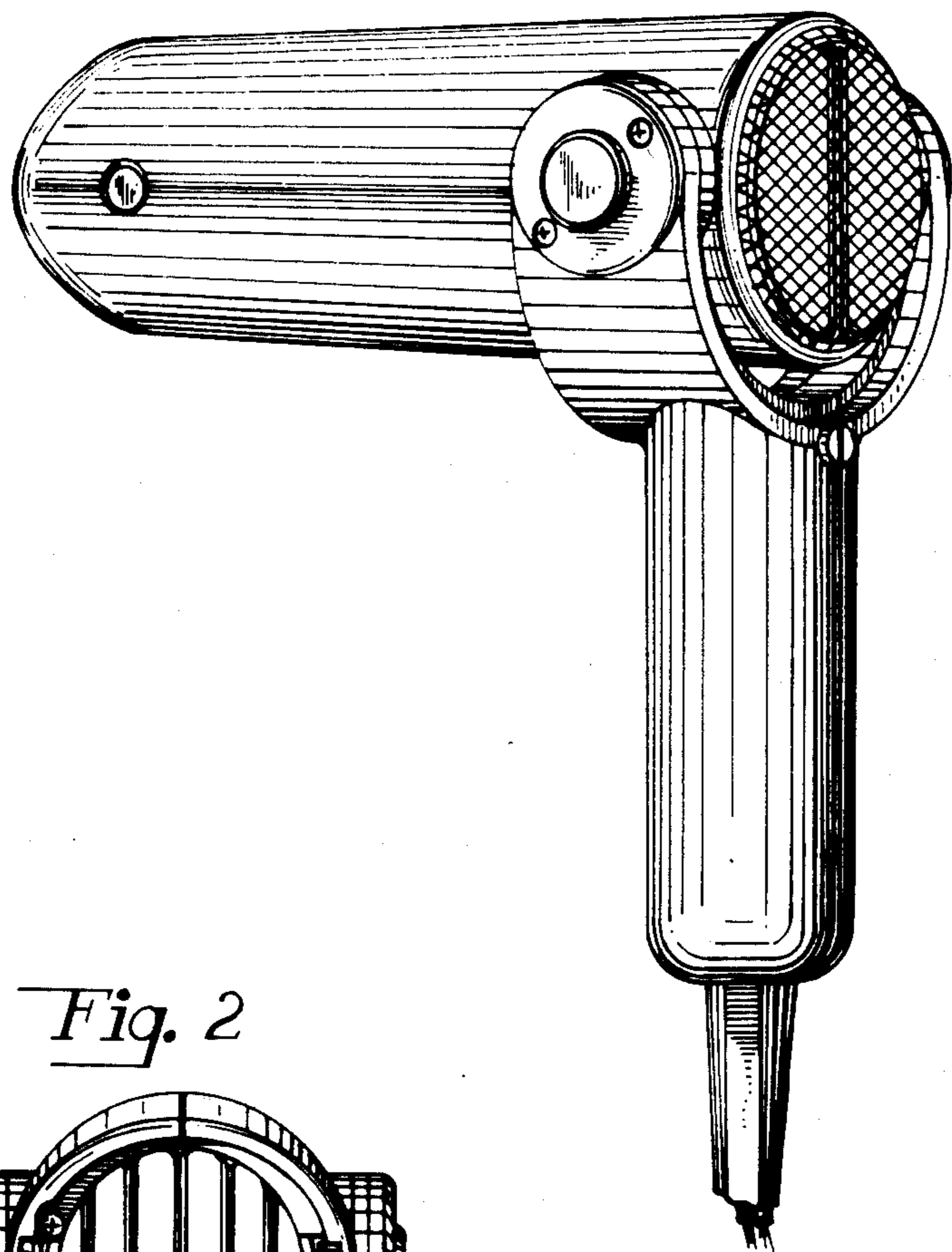


Fig. 1

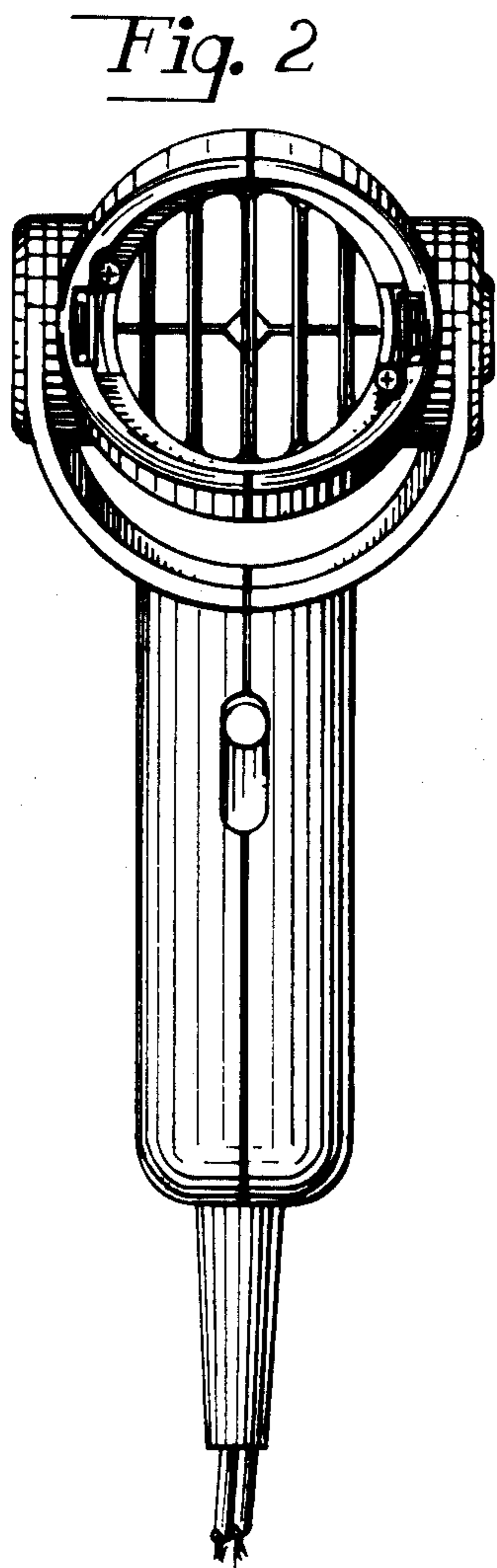


Fig. 2

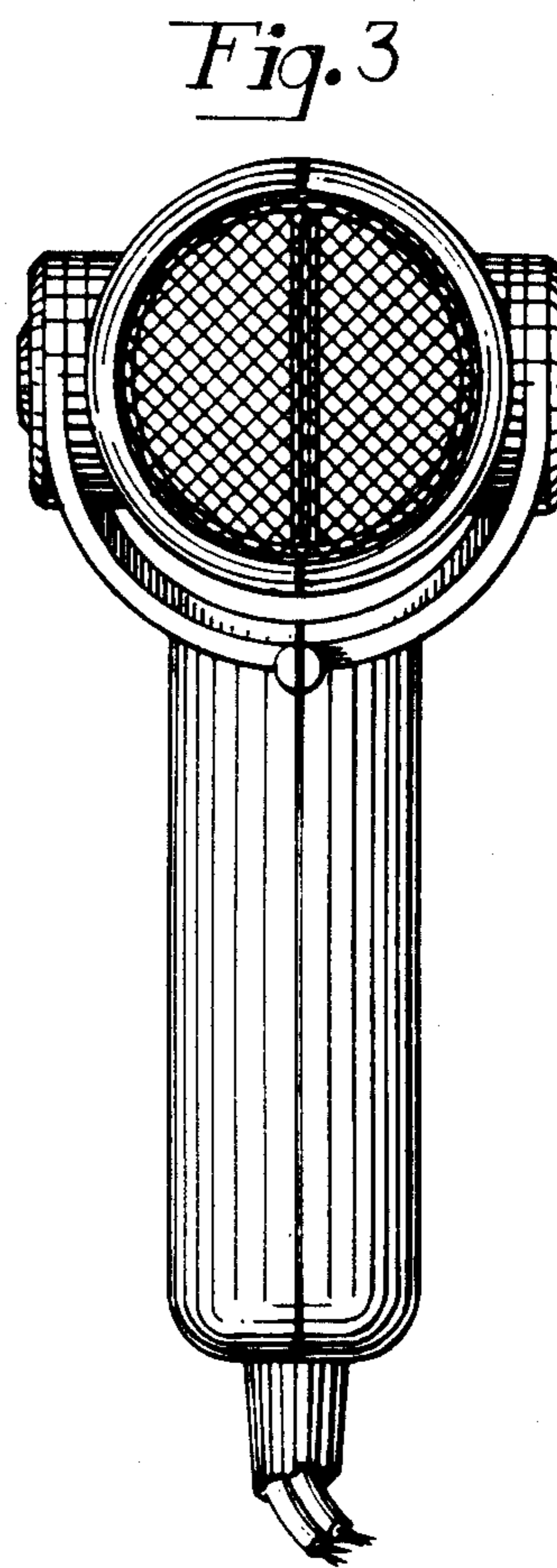


Fig. 3

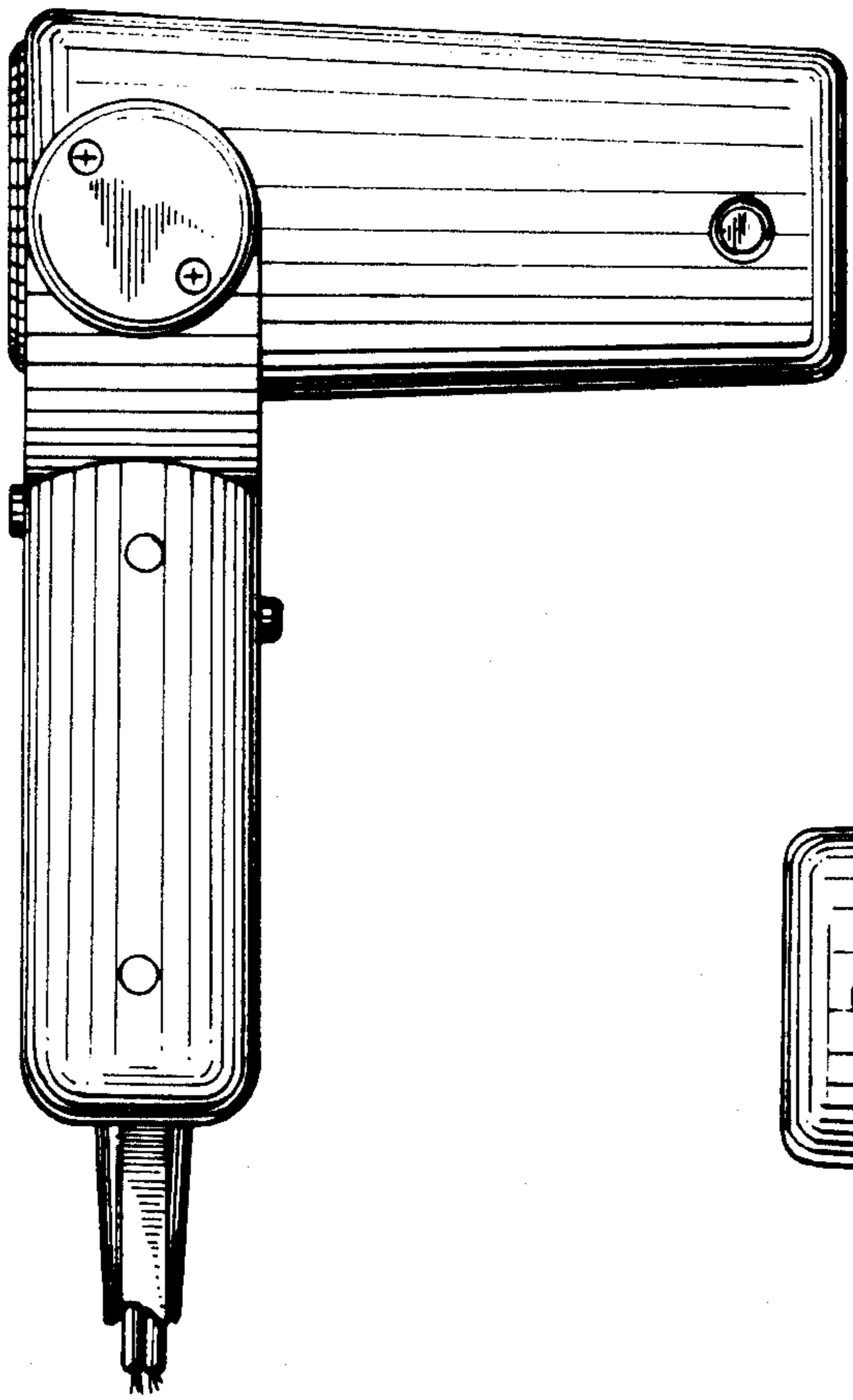


Fig. 4

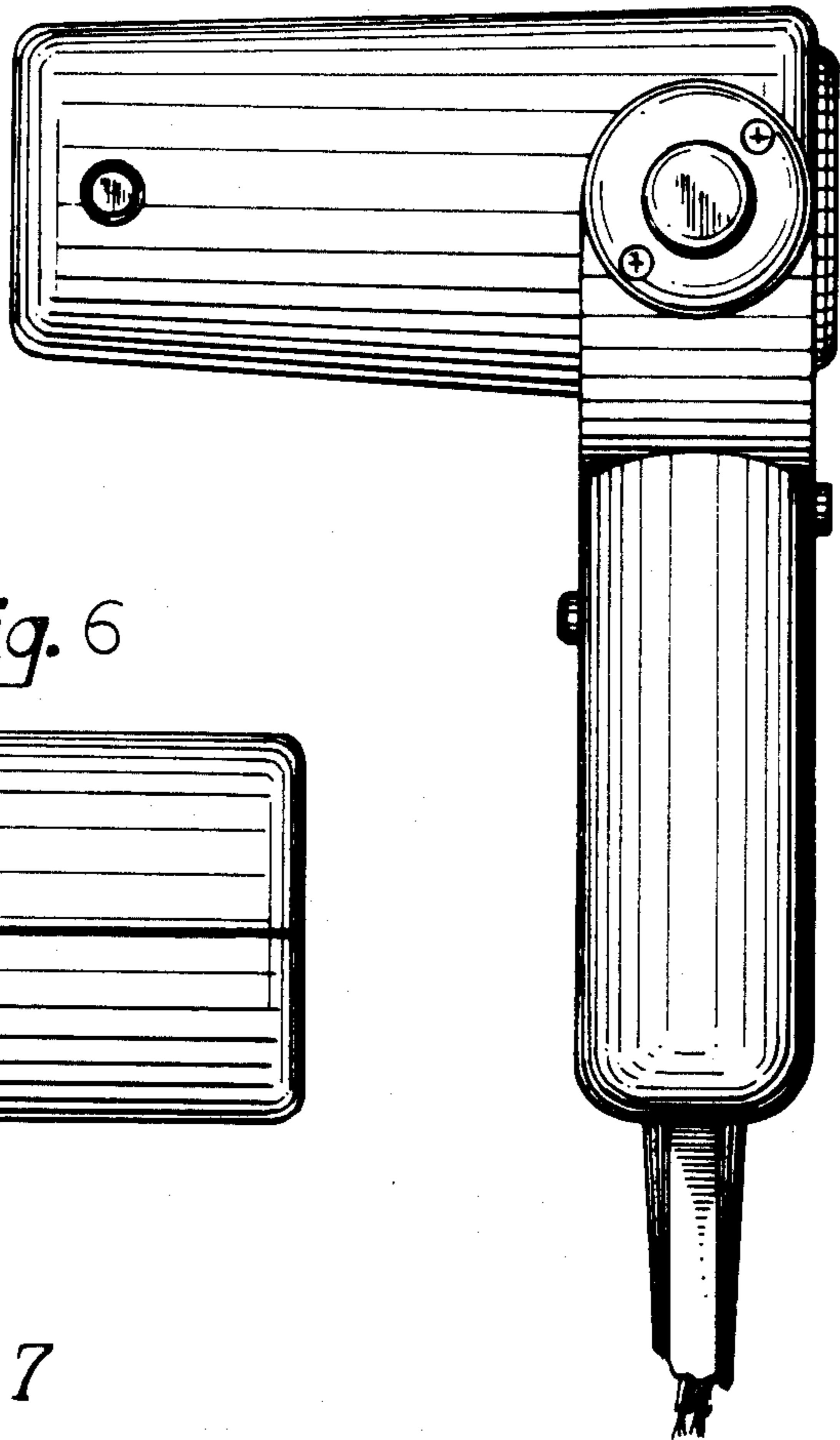


Fig. 5

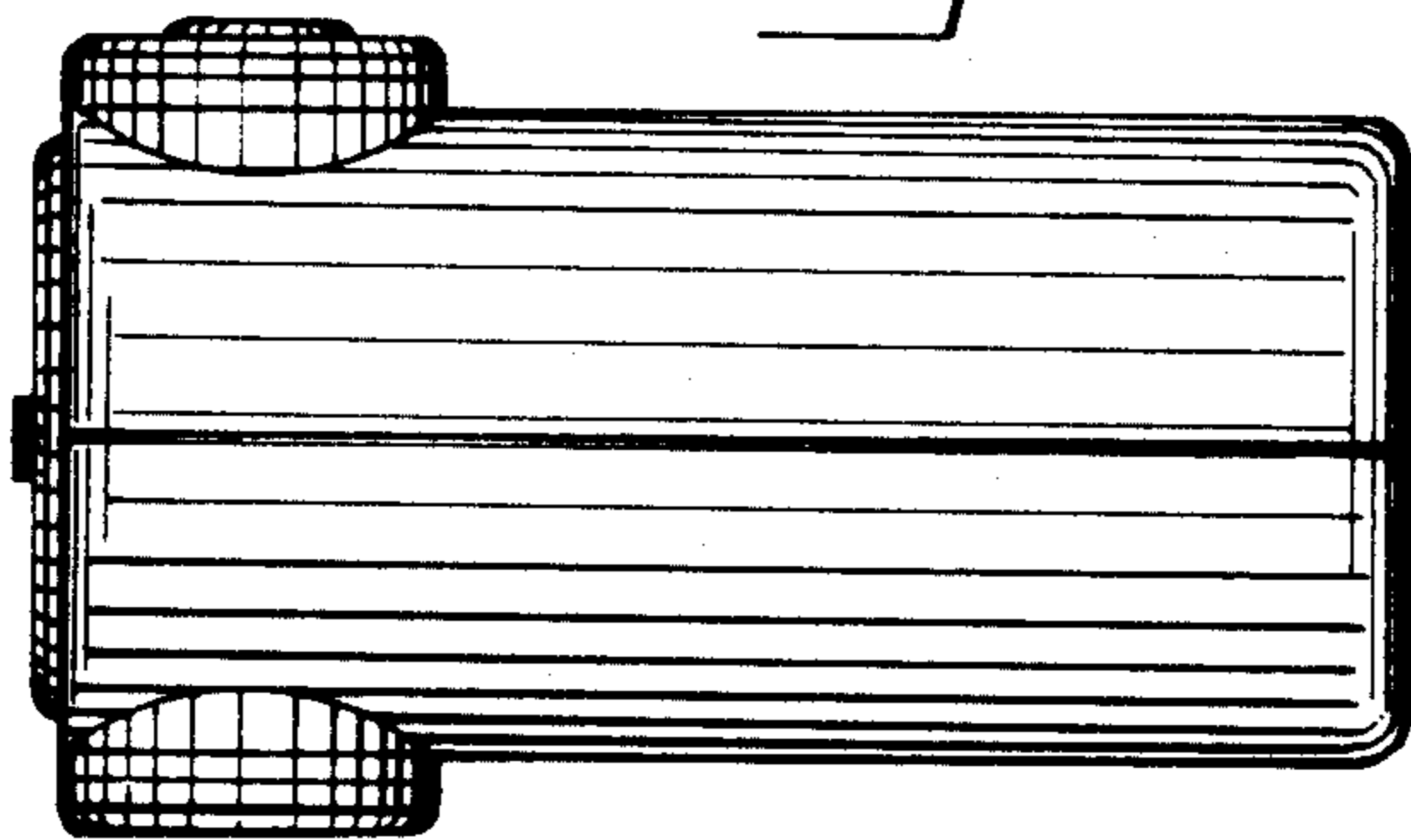


Fig. 6

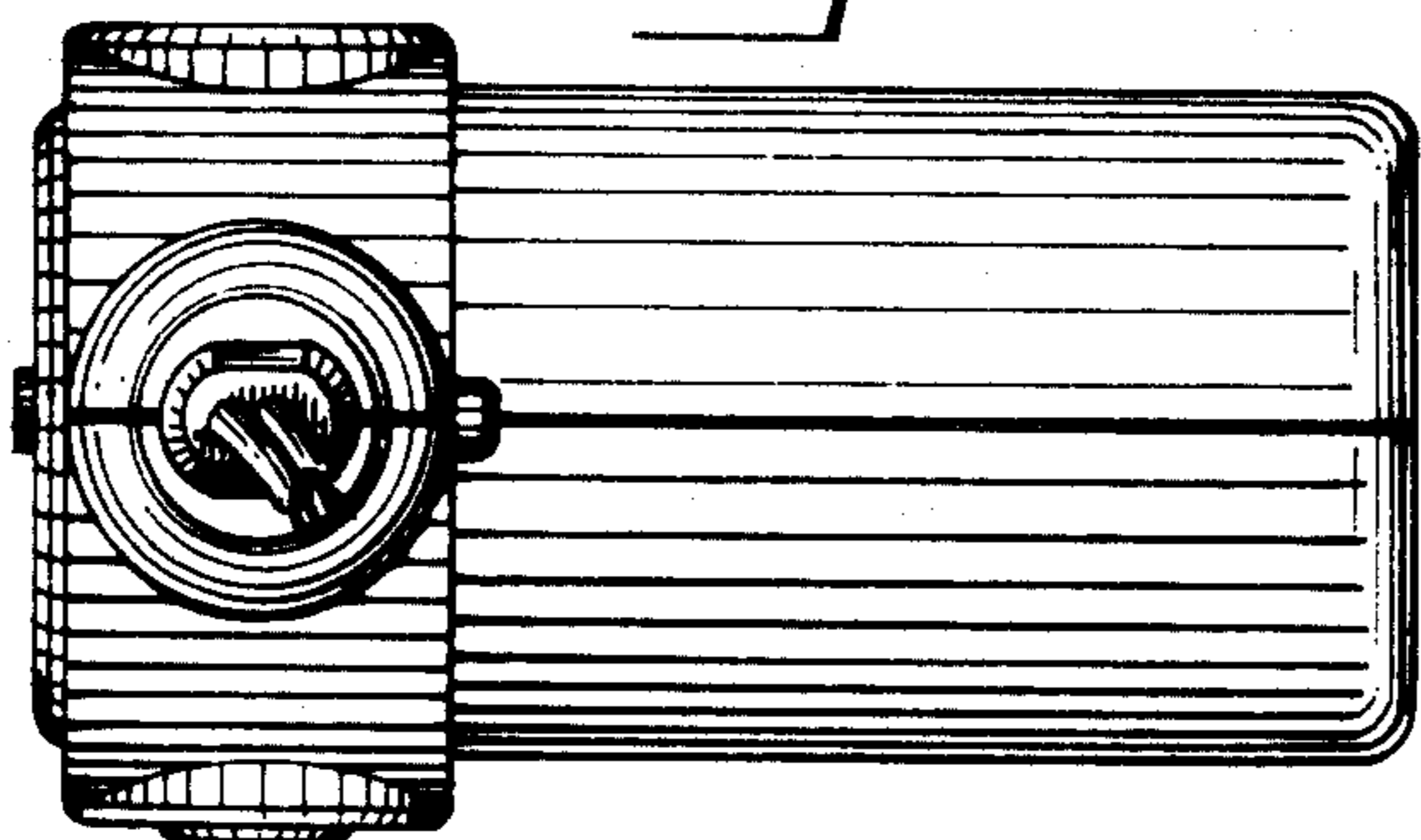


Fig. 7

Fig. 8

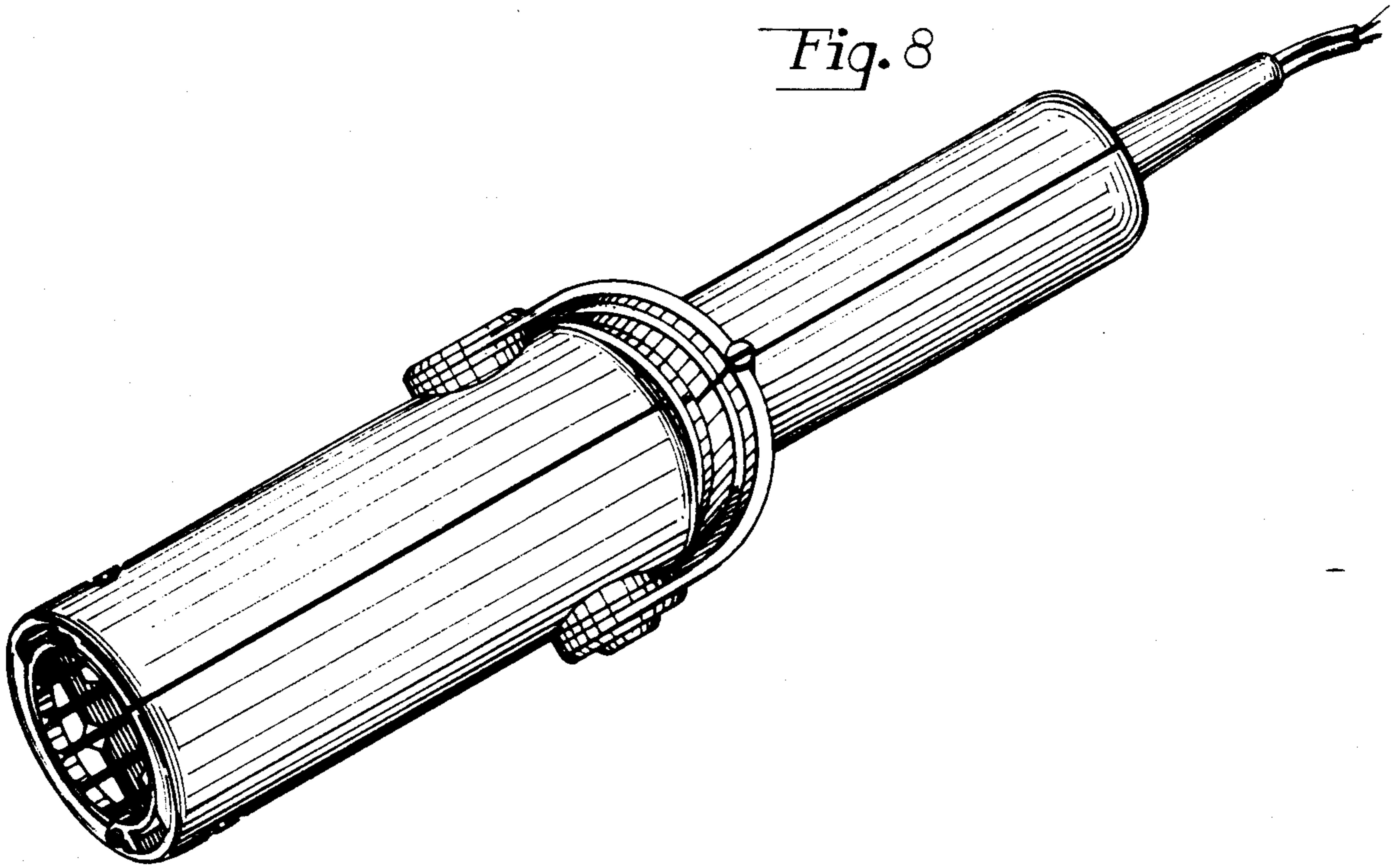


Fig. 9

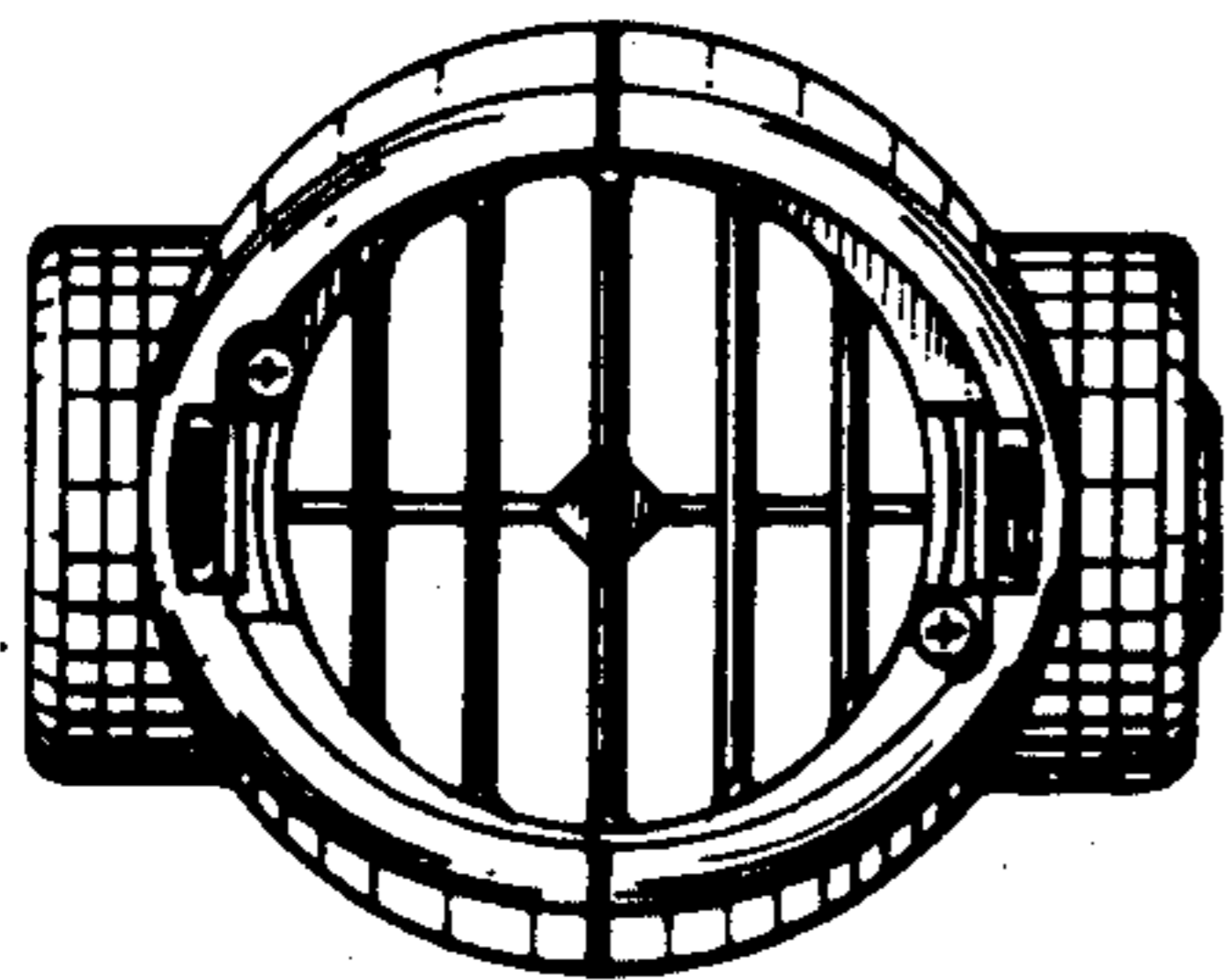


Fig. 10

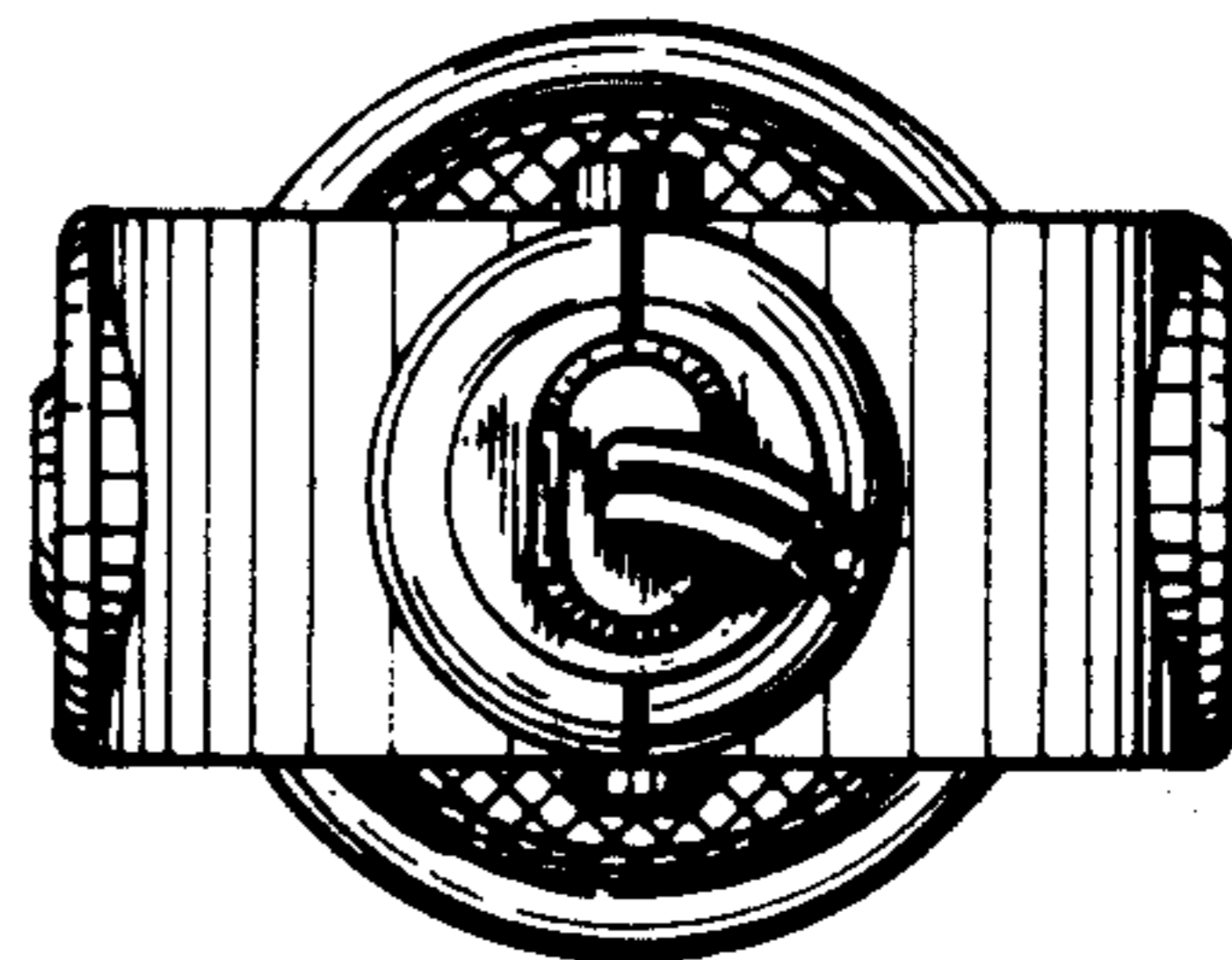


Fig. 11

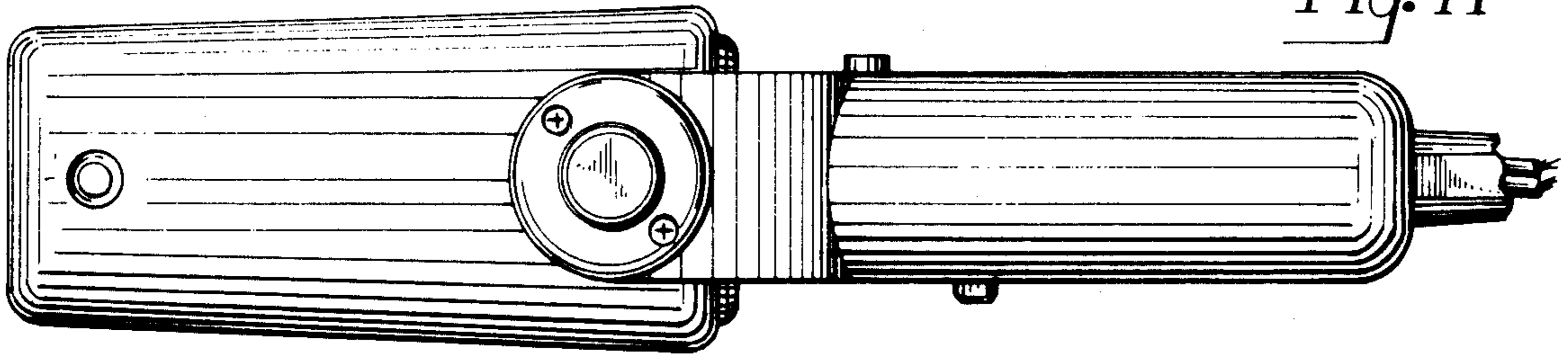


Fig. 12

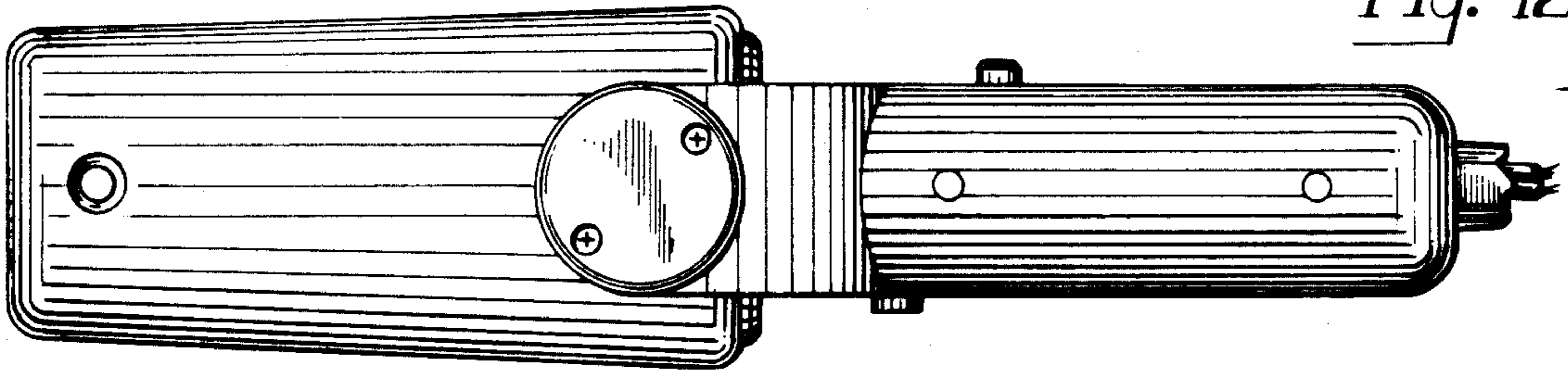


Fig. 13

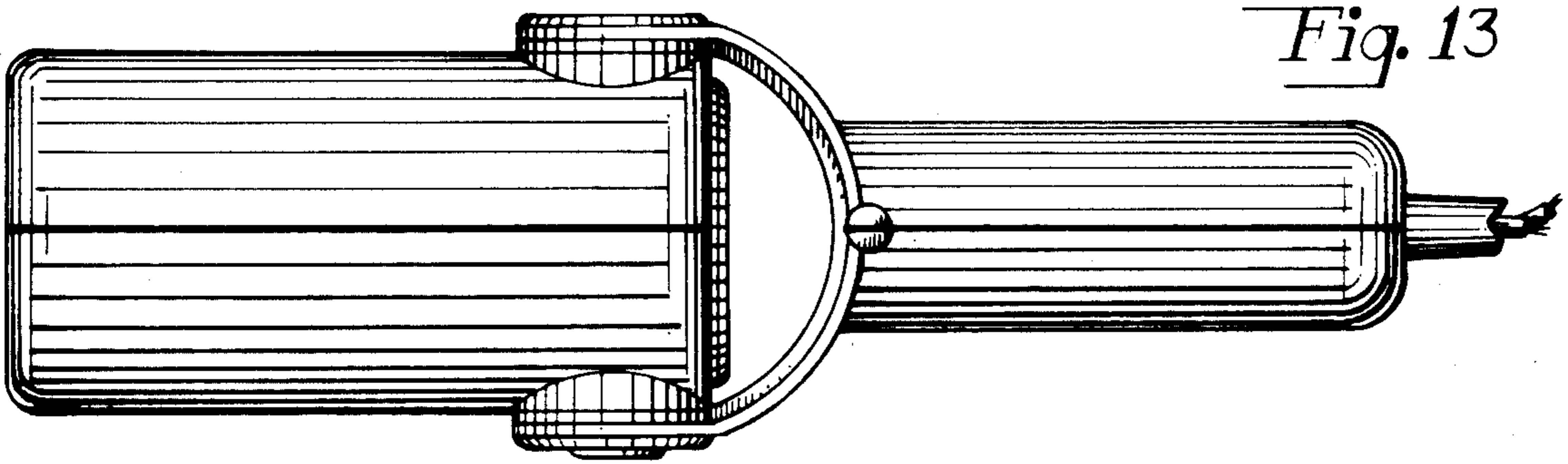


Fig. 14

