

[54] SINK

[76] Inventor: Nicolas Rodriguez, 82 NE. 68th Terrace, Miami, Fla. 33138

[\*\*] Term: 14 Years

[21] Appl. No.: 713,126

[22] Filed: Aug. 11, 1976

[51] Int. Cl. .... D23-02

[52] U.S. Cl. .... D23/58

[58] Field of Search ..... D23/58-64;  
4/166, 187, 189, 190

[56]

References Cited

U.S. PATENT DOCUMENTS

D. 208,395	8/1967	Mustee	.....	D23/58
653,714	7/1900	Thurman	.....	D23/60 X
914,120	3/1909	Demarest	.....	4/187
1,001,520	8/1911	Gresson	.....	4/187
1,982,117	11/1937	Murie	.....	4/187
2,090,665	8/1937	Carter	.....	4/189
2,457,038	12/1948	Garonis	.....	4/190
2,524,204	10/1950	O'Brien	.....	4/187
2,582,816	1/1952	Bonnell	.....	4/187

2,968,815	1/1961	Hornik	.....	D23/58 X
3,333,282	8/1967	Mustee	.....	4/187

Primary Examiner—James R. Largen  
Attorney, Agent, or Firm—William E. Schuyler, Jr.

[57] CLAIM

The ornamental design for a sink, as shown and described.

DESCRIPTION

FIG. 1 is a top perspective view of a sink showing my new design;

FIG. 2 is a top plan view thereof;

FIG. 3 is a bottom perspective view of the cover thereof;

FIG. 4 is a top plan view thereof with the cover removed;

FIG. 5 is a cross sectional view taken on line 5—5 of FIG. 4; and

FIG. 6 is a cross sectional view taken on line 6—6 of FIG. 4.

It is to be understood that the portion of the strainer omitted for convenience of illustration in FIGS. 4, 5 and 6 is continuous throughout the interior of the sink as indicated.

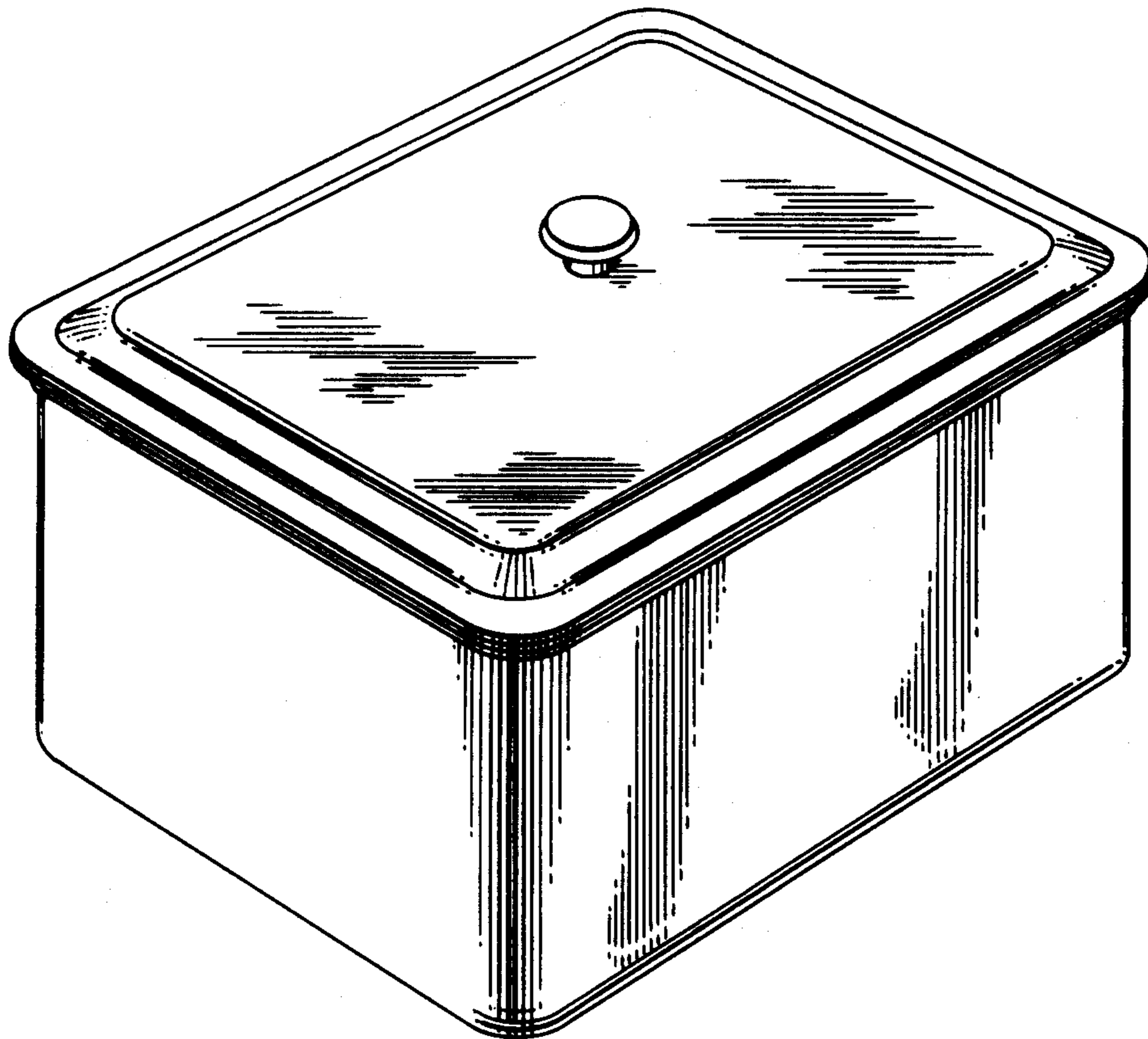


FIG. 1

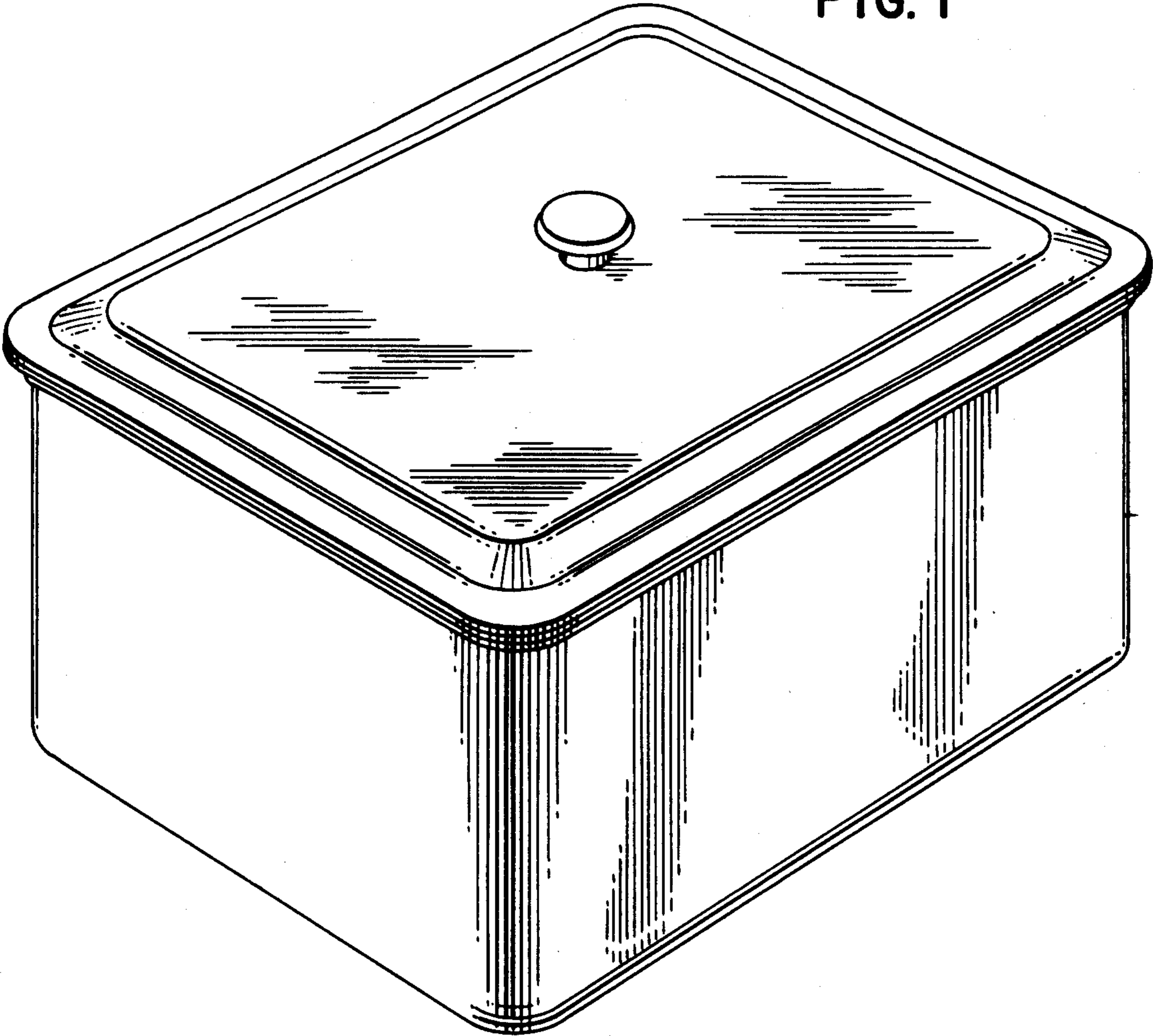
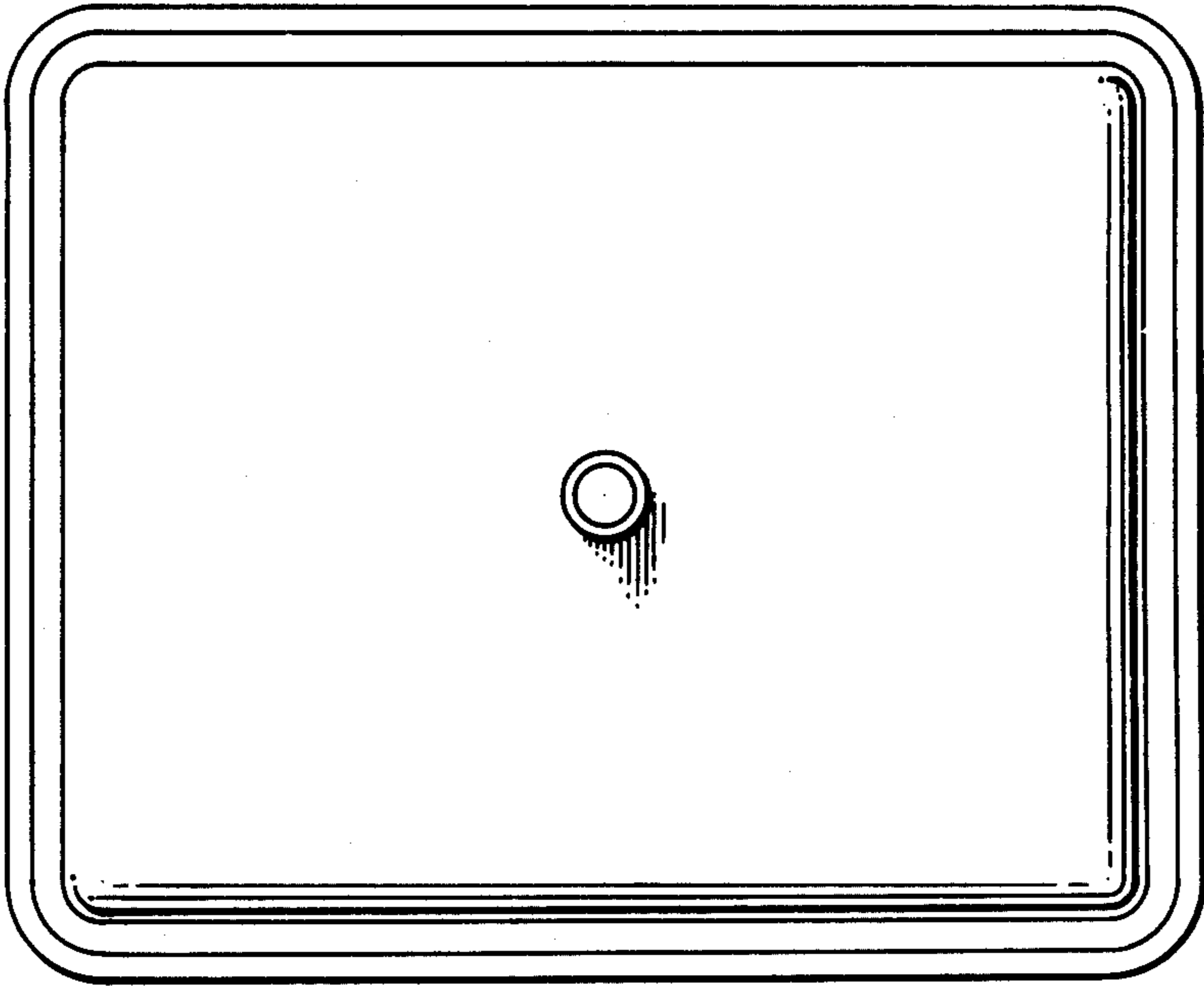


FIG. 2



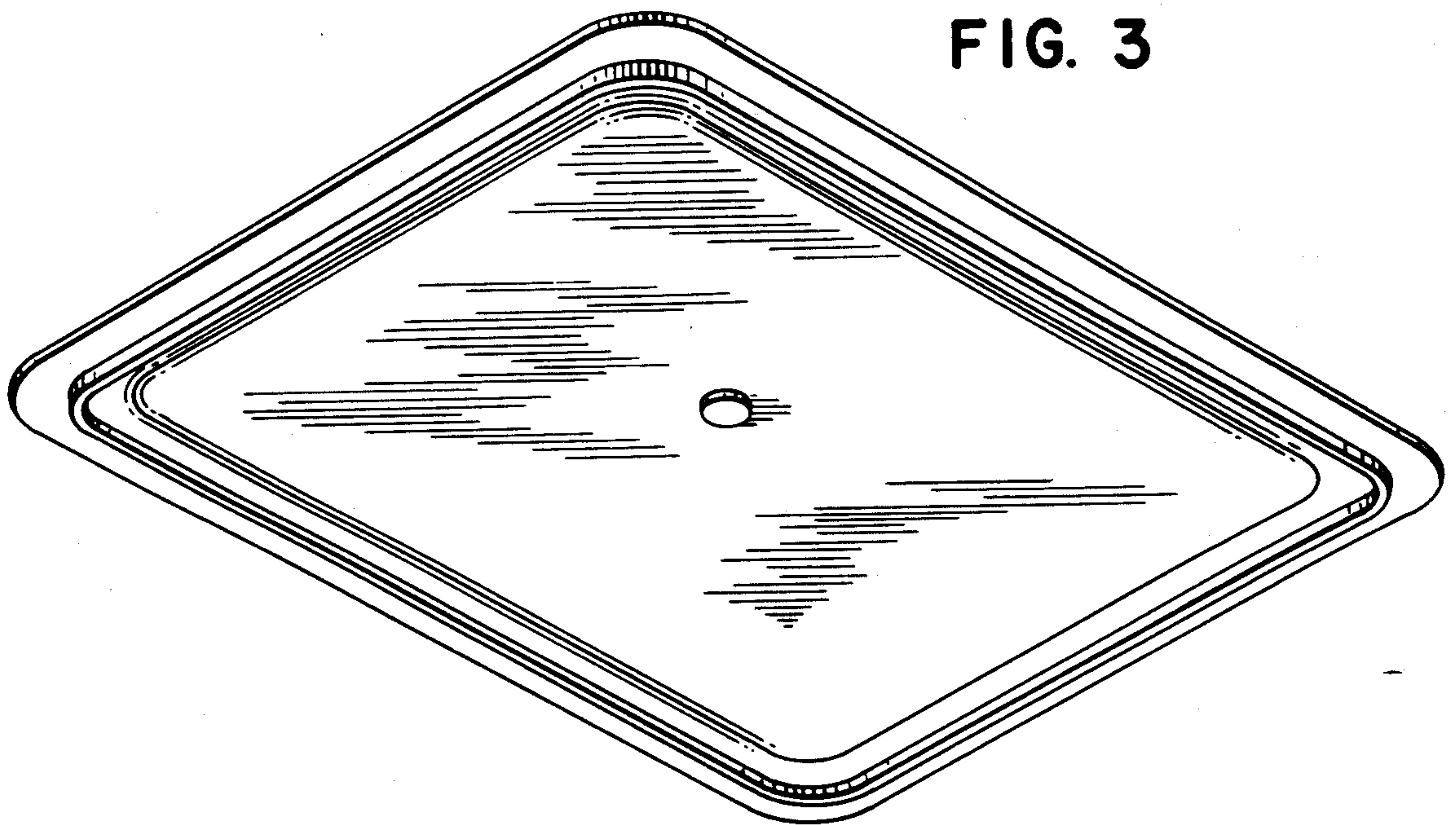


FIG. 3

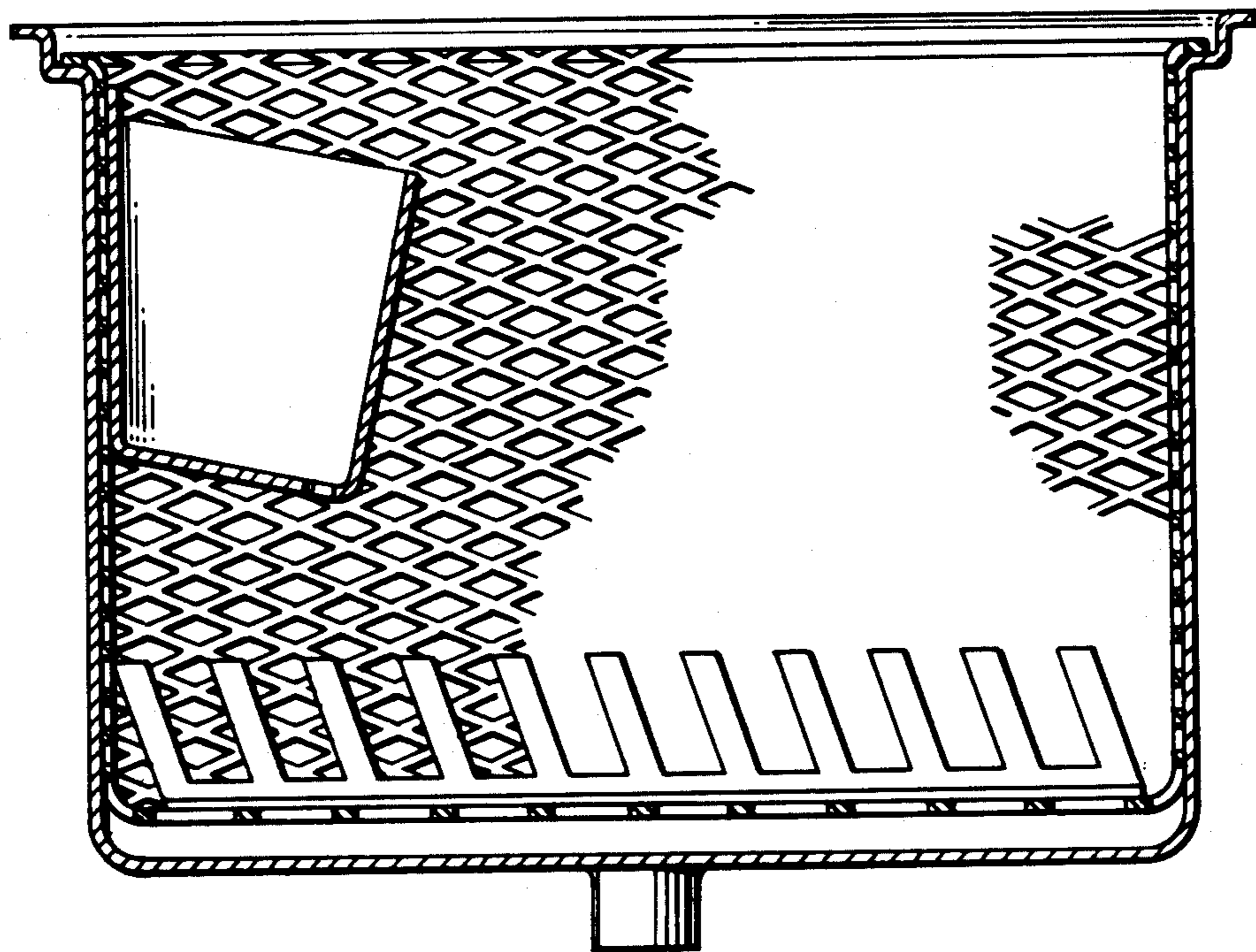
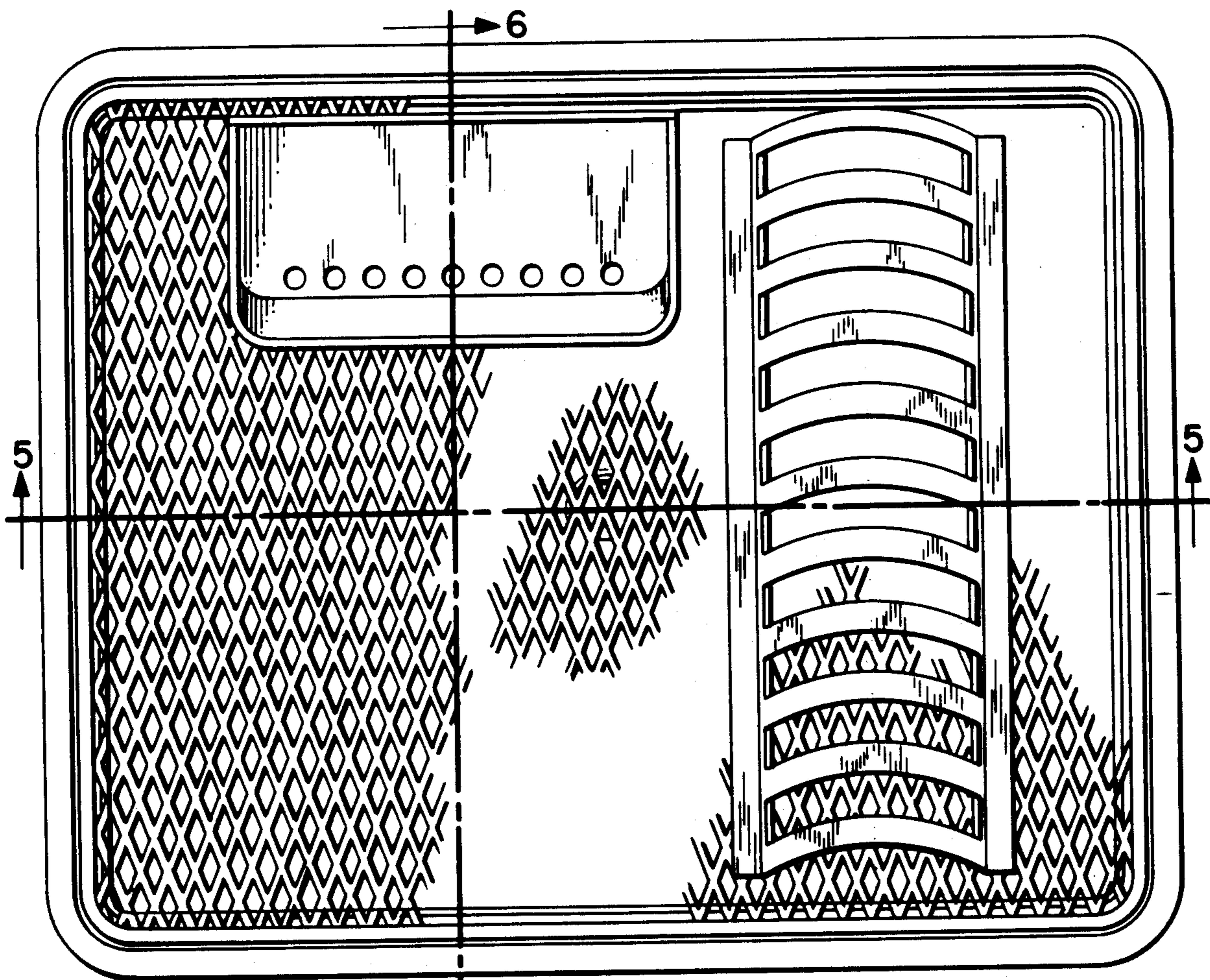


FIG. 6



6 → FIG. 4

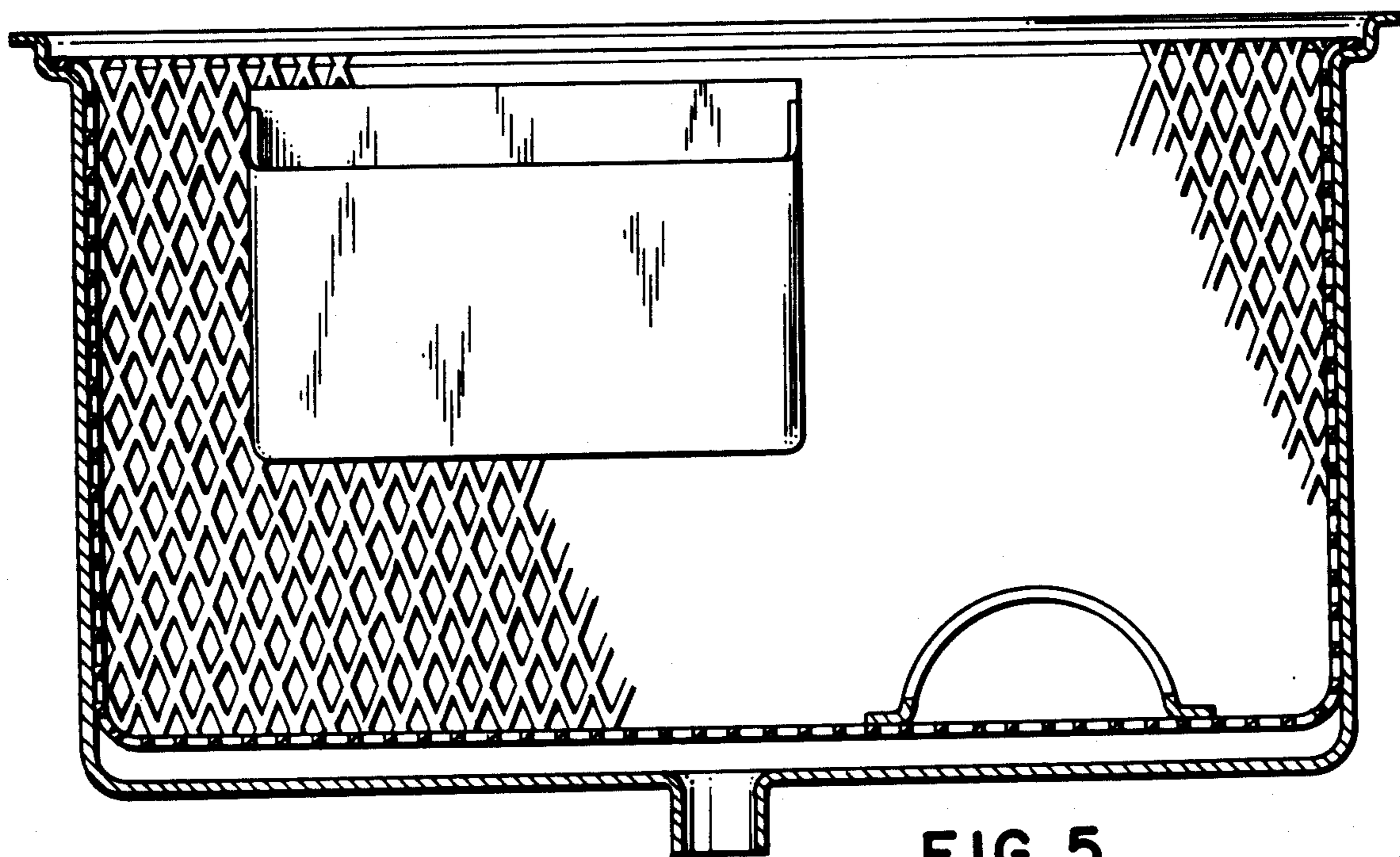


FIG. 5