

[54] **ENVELOPE POWER STACKER**

[75] **Inventor:** Edward A. Krpotich, Palo Alto, Calif.

[73] **Assignee:** Omaton Corporation, Palo Alto, Calif.

[**] **Term:** 14 Years

[21] **Appl. No.:** 758,661

[22] **Filed:** Jan. 12, 1977

[51] **Int. Cl.** D18—99

[52] **U.S. Cl.** D12/58

[58] **Field of Search** D12/58

[56] **References Cited**

U.S. PATENT DOCUMENTS

D. 193,551 9/1962 Golden D12/58

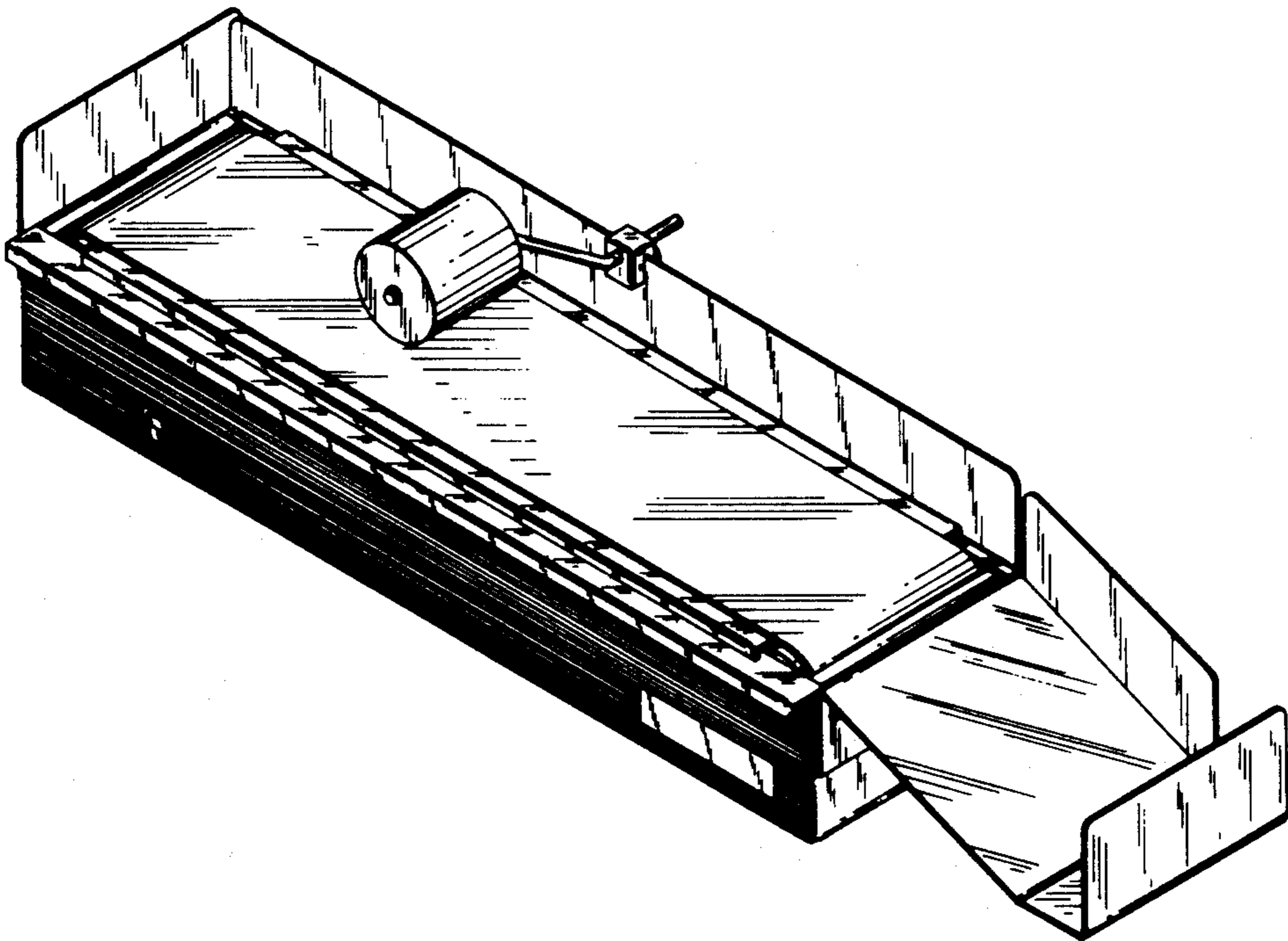
Primary Examiner—Alan P. Douglas
Attorney, Agent, or Firm—Paul D. Flehr

[57] **CLAIM**

The ornamental design for an envelope power stacker, as shown.

DESCRIPTION

FIG. 1 is an isometric view of the envelope power stacker showing my new design;
FIG. 2 is an end view thereof;
FIG. 3 is an end view thereof opposite the end view shown in FIG. 2;
FIG. 4 is a top plan view thereof;
FIG. 5 is a side elevational view thereof;
FIG. 6 is a side elevational view thereof opposite the side shown in FIG. 5.



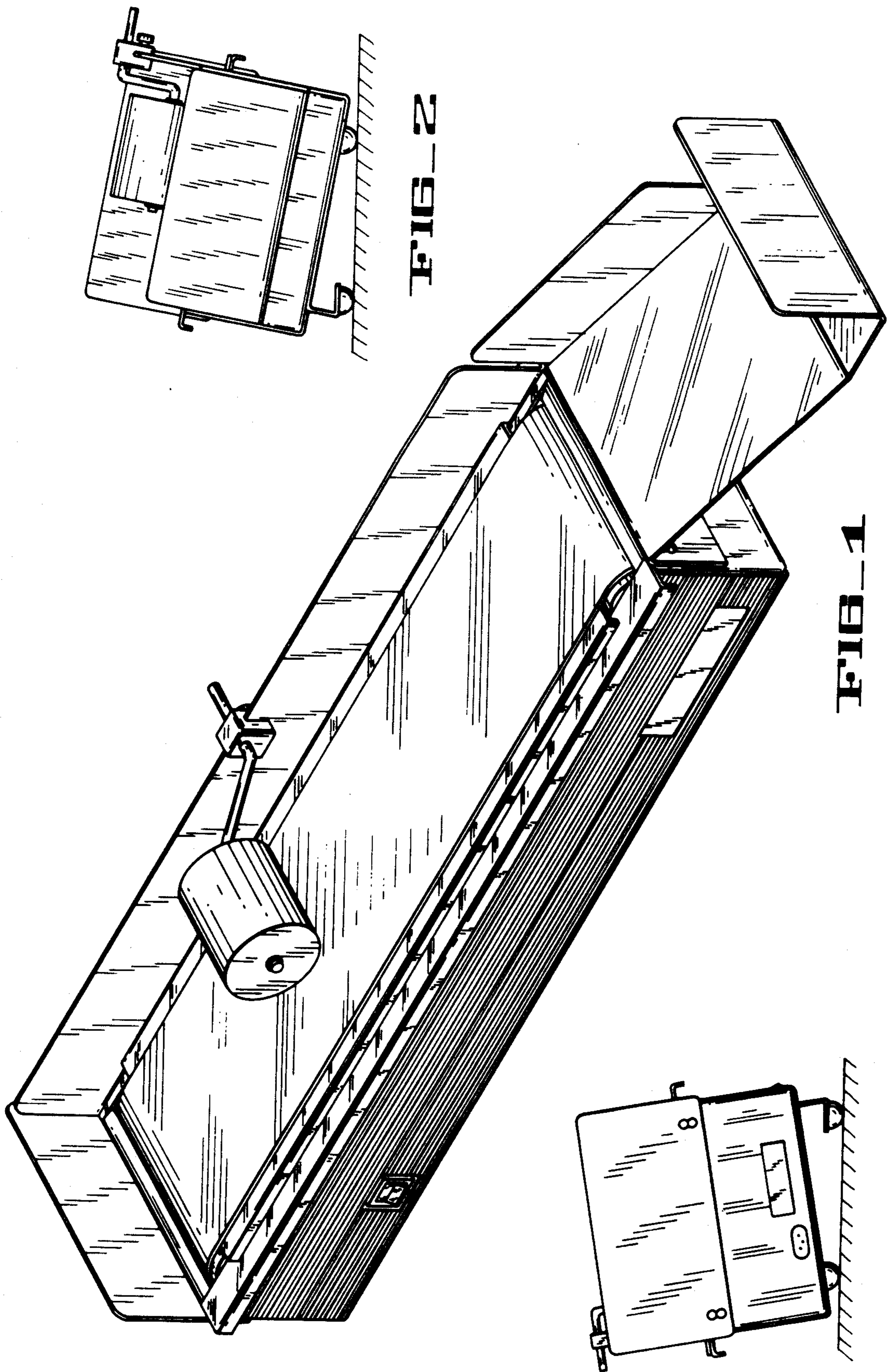


FIG-2

FIG-1

FIG-3

FIG-6

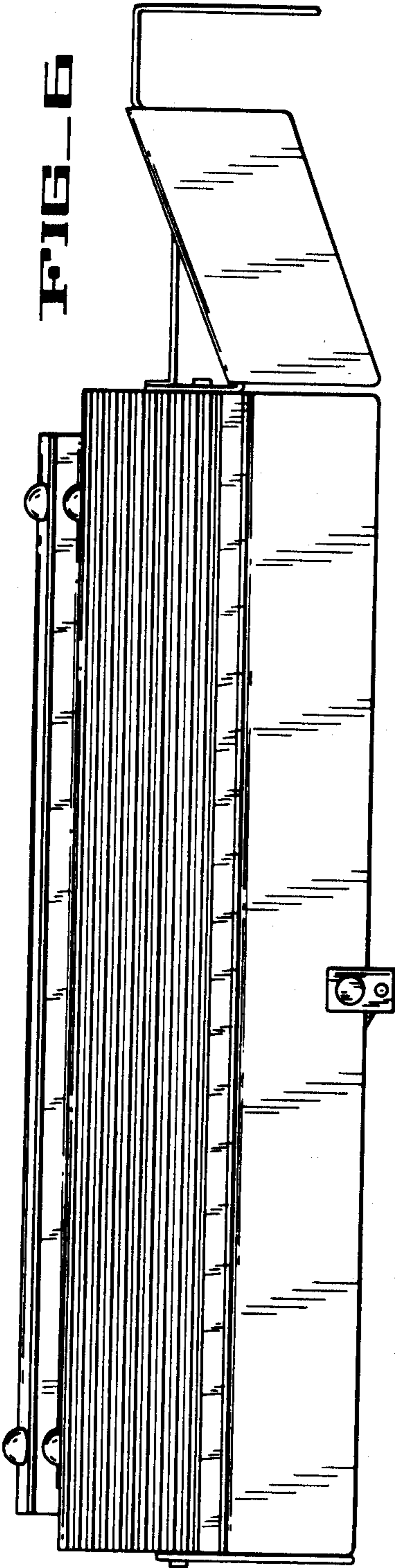


FIG-4

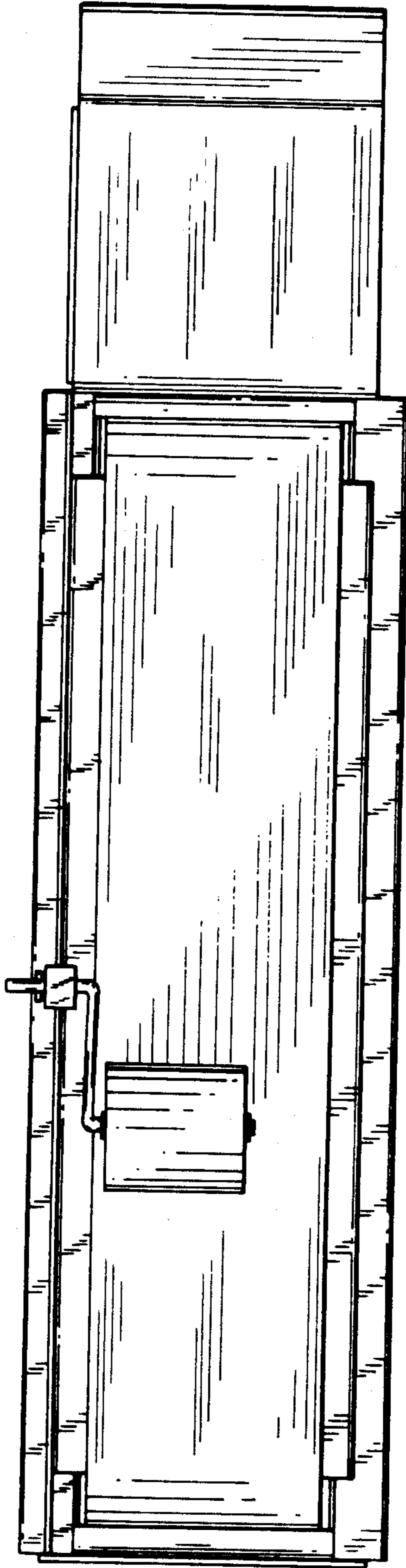


FIG-5

