

[54] GARBAGE CONTAINER

[76] Inventor: Melvin V. Horpestad, 3420 River Rd., West Delta, British Columbia, Canada

[**] Term: 14 Years

[21] Appl. No.: 731,681

[22] Filed: Oct. 12, 1976

[51] Int. Cl. D7-07

[52] U.S. Cl. D7/189

[58] Field of Search D7/189, 191; D12/15, D12/27; D15/61, 123; 220/1 T; 214/302; 294/73; 296/101

[56] References Cited

U.S. PATENT DOCUMENTS

- D. 226,224 1/1973 Schmidt D7/191 X
- D. 241,571 9/1976 Worthington D12/15

Primary Examiner—Wallace R. Burke
Assistant Examiner—Catherine Kemper
Attorney, Agent, or Firm—Owen J. Jones

[57] CLAIM

The ornamental design for garbage container, as shown and described.

DESCRIPTION

FIG. 1 is a side elevational view of a garbage container showing my new design, the opposite side being a mirror image thereof;

FIG. 2 is an end elevational view thereof;

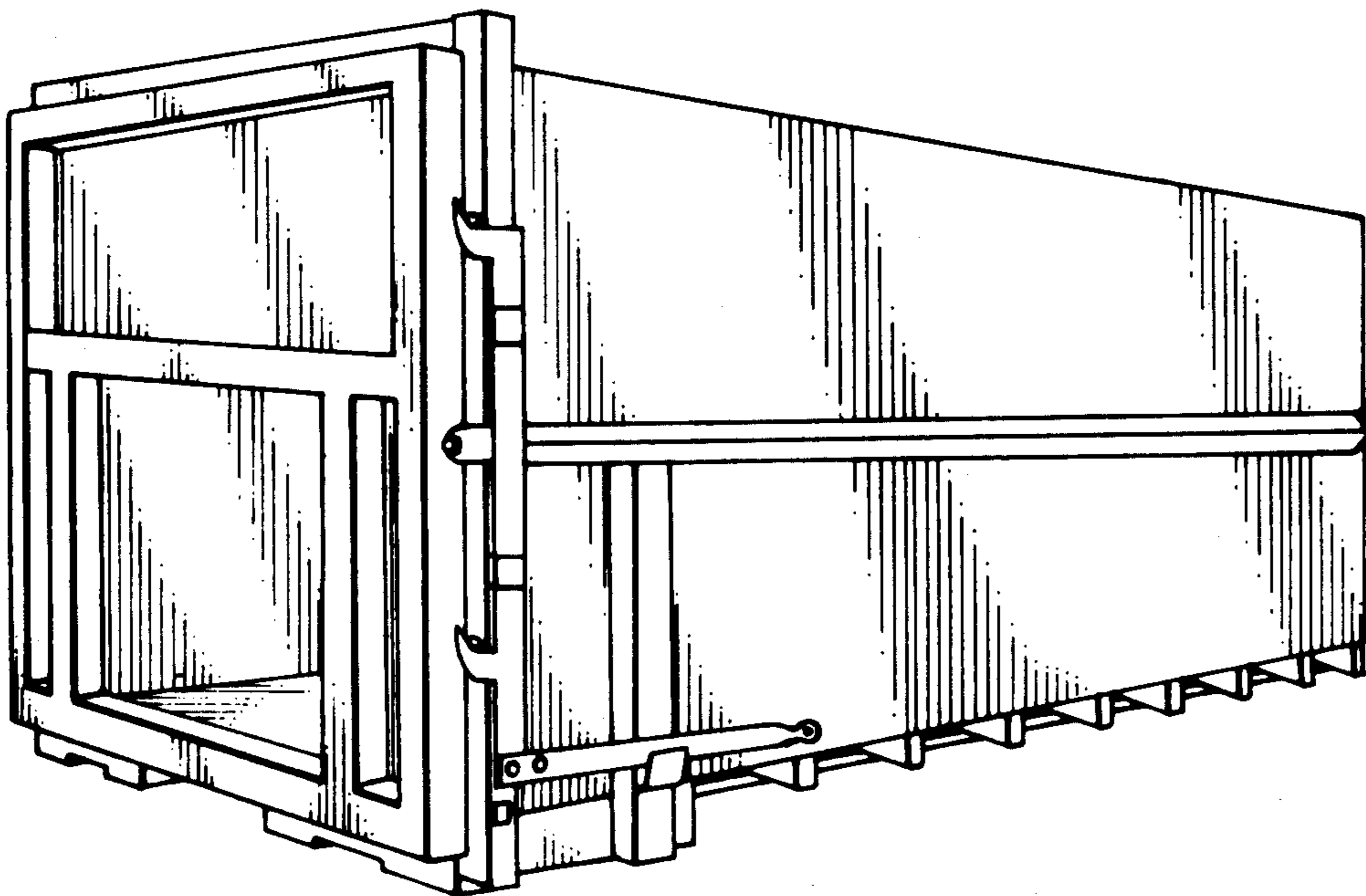
FIG. 3 is a perspective view thereof;

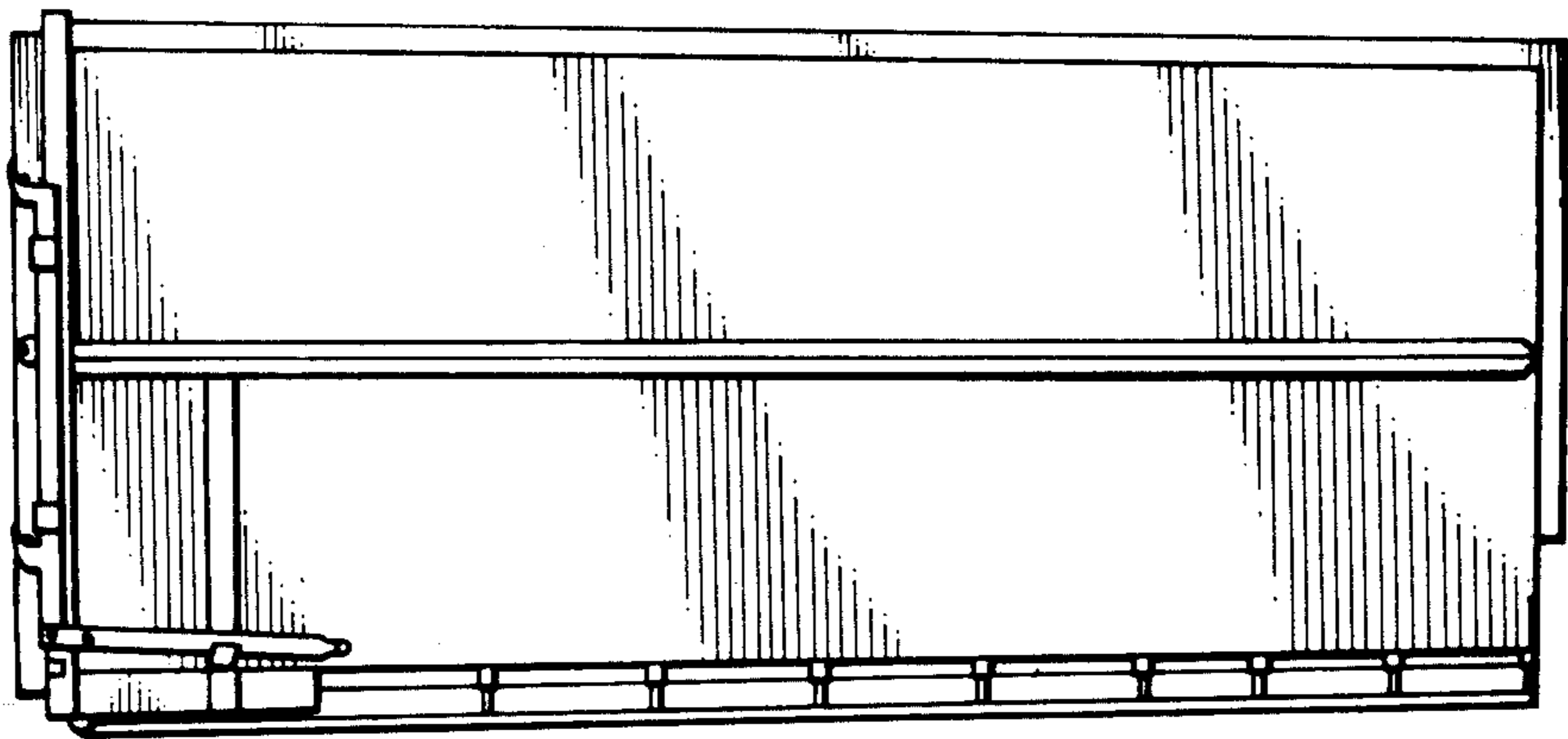
FIG. 4 is a side elevational view of a second embodiment thereof, wherein the only difference resides in the configuration of the rear end.

FIG. 5 is a top perspective view of the first embodiment;

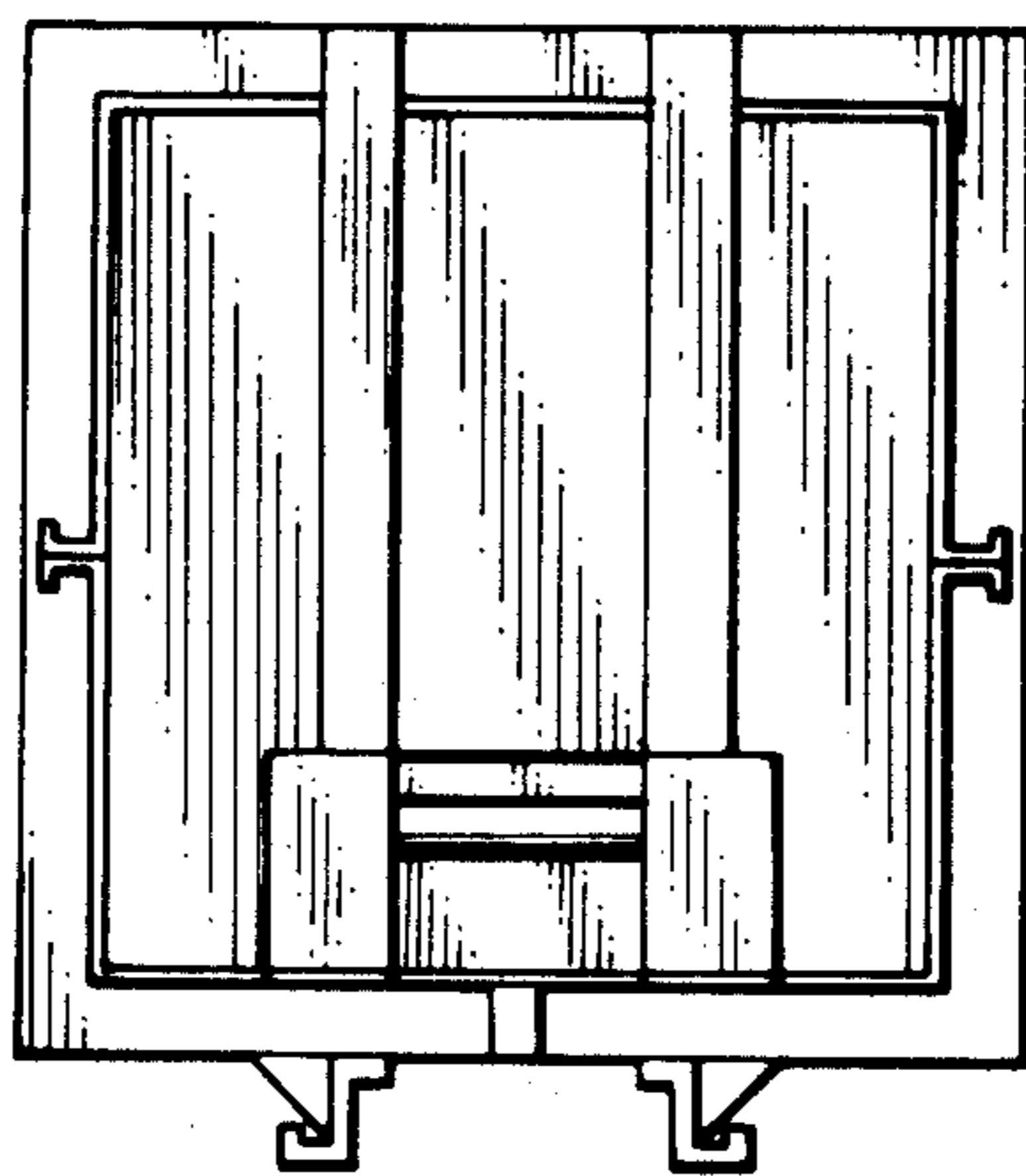
FIG. 6 is a rear perspective view thereof.

The side of the device which is not shown is a mirror image of the disclosed side.

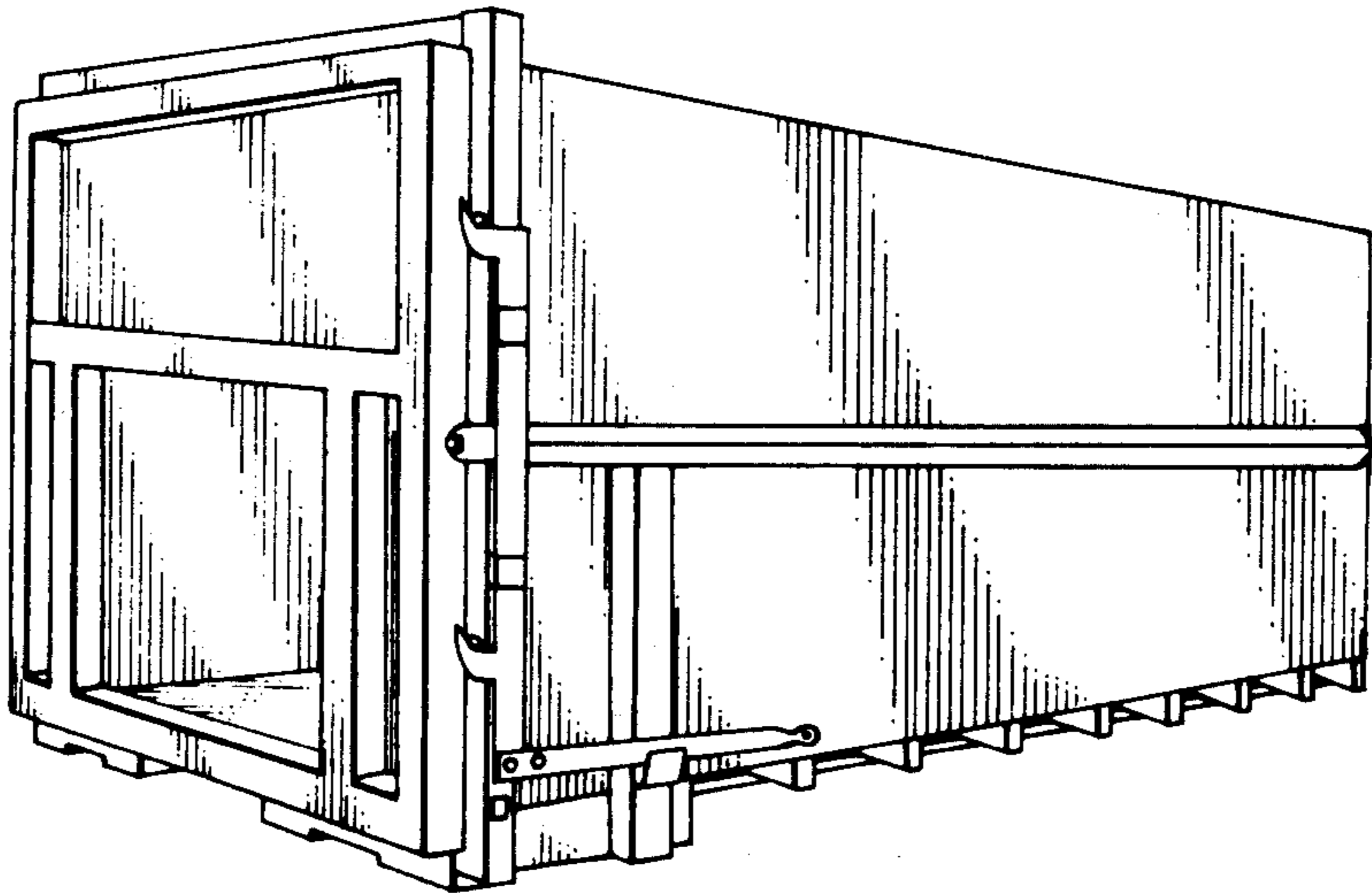




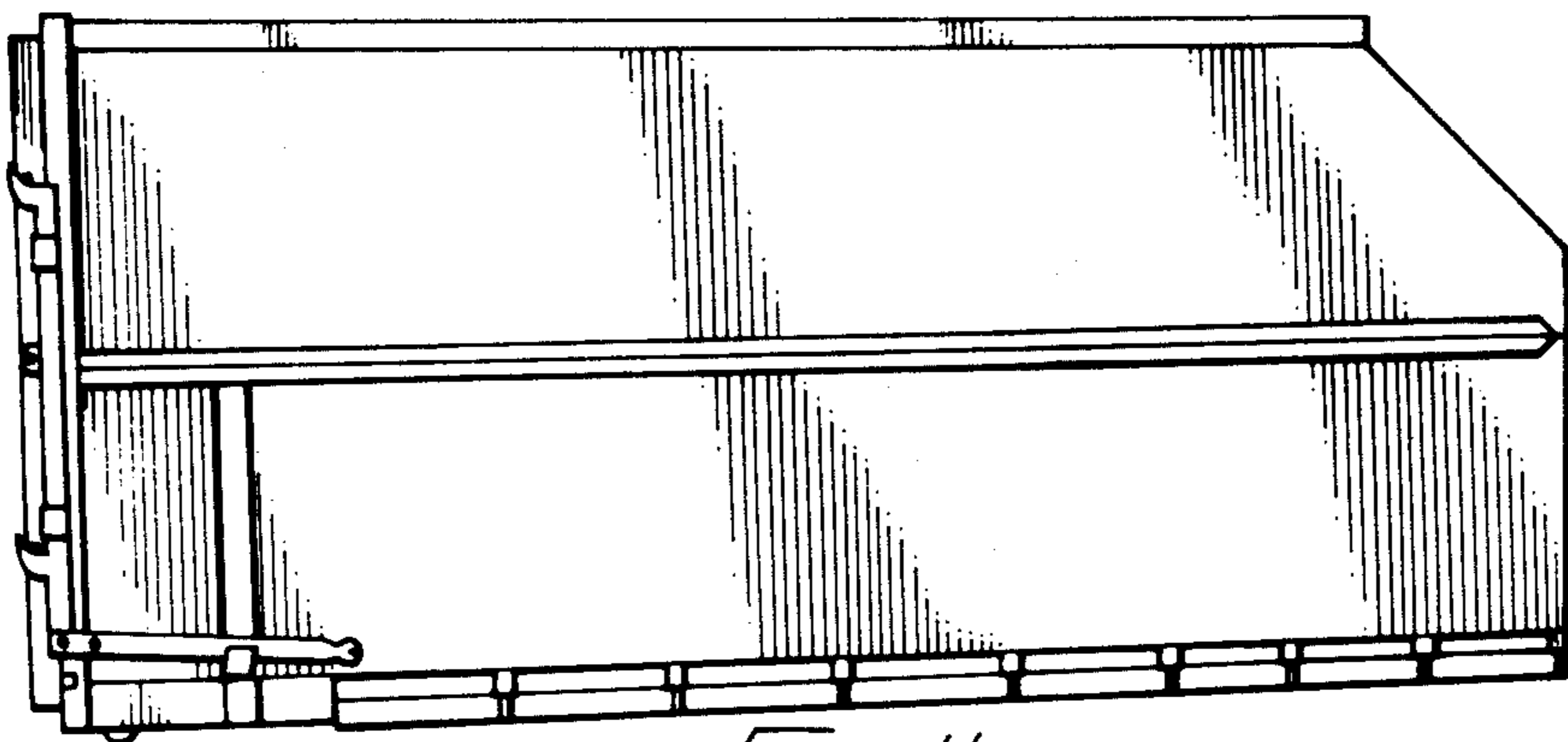
- Fig. 1 -



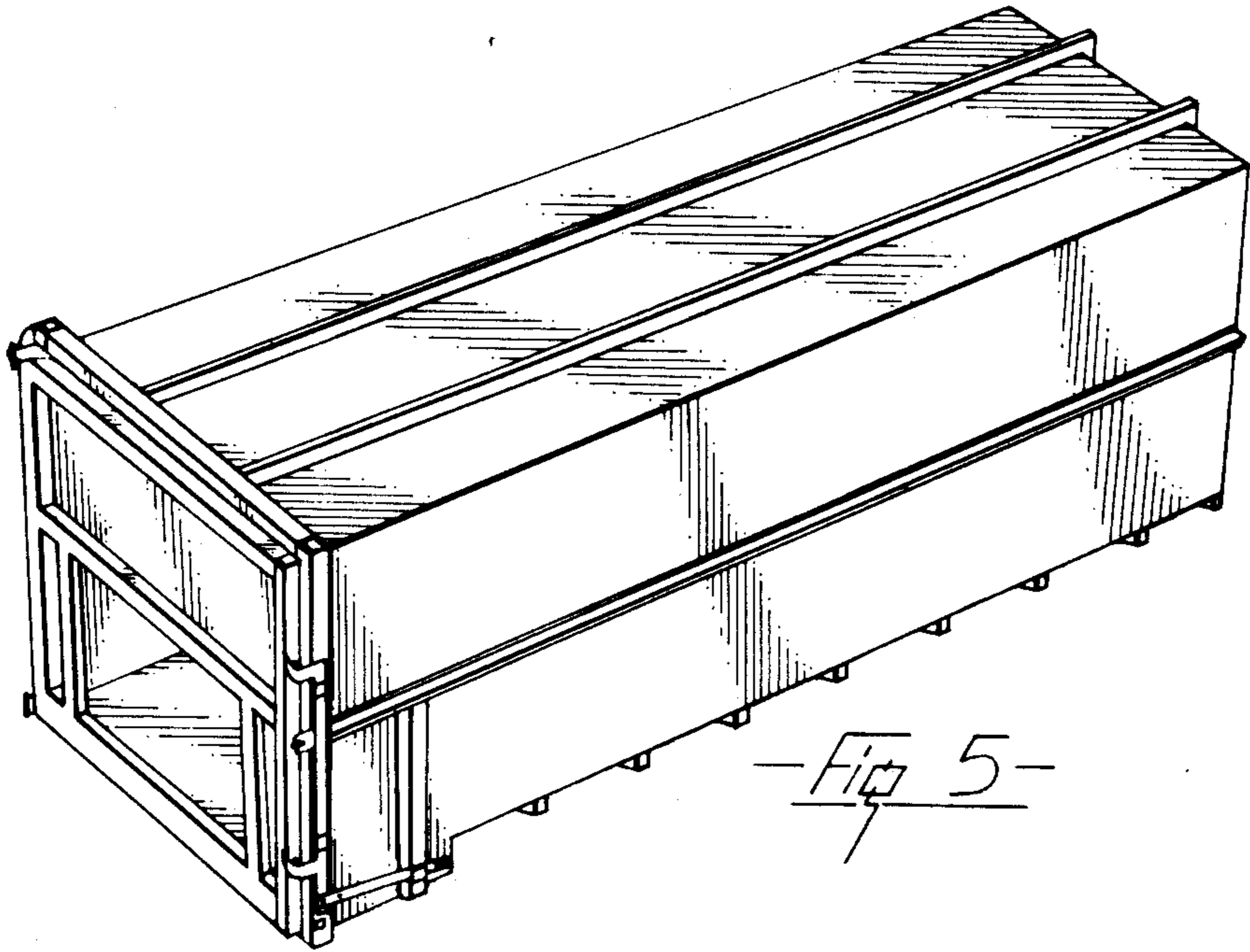
- Fig. 2 -



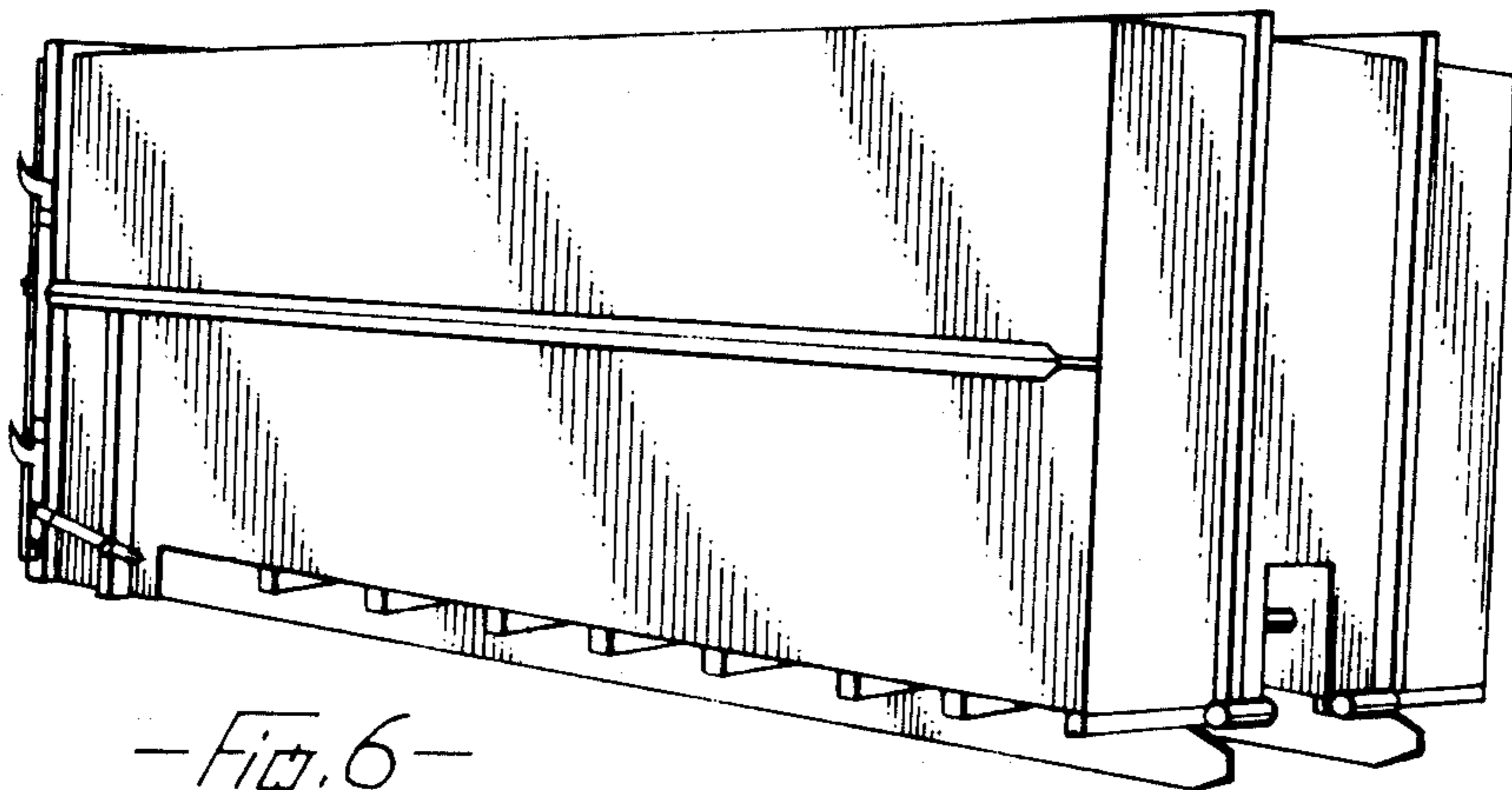
- Fig. 3 -



- Fig. 4 -



- Fig. 5 -



- Fig. 6 -