

[54] CORN POPPER

[75] Inventors: Ernest Lee, Park Ridge; Robert O. Ernest, Oak Park, both of Ill.

[73] Assignee: Sunbeam Corporation, Chicago, Ill.

[**] Term: 14 Years

[21] Appl. No.: 760,147

[22] Filed: Jan. 17, 1977

[51] Int. Cl. D7-02; D15-08

[52] U.S. Cl. D7/94; D7/5; D12/22; D15/105

[58] Field of Search D7/5, 94; D15/105; D12/22, 27

[56] References Cited

U.S. PATENT DOCUMENTS

D. 50,713	5/1917	Cummings	D12/27 X
D. 85,883	12/1931	Monk	D15/105
D. 203,531	1/1966	Cassie	D12/22
D. 228,063	8/1973	Keeshin et al.	D12/22
D. 228,631	10/1973	Rogove et al.	D12/22

D. 234,945	4/1975	McCooey	D12/22
D. 245,075	7/1977	Austin	D12/22

OTHER PUBLICATIONS

Food Service Equipment Dealer/Mar. 1976, p. 32, item D at top r. "Antique Wagon"-Popper.

Food Service Equipment Dealer/Jan. 1977, p. 22, "Gay 90's 4-Wheel Whiz Bang"-Popper, top r.

Primary Examiner—Winifred E. Herrmann
Attorney, Agent, or Firm—George R. Clark

[57] CLAIM

The ornamental design for a corn popper, as shown and described.

DESCRIPTION

FIG. 1 is a perspective view of a corn popper embodying our new design;

FIG. 2 is an end elevational view thereof, the opposite end view being a mirror image thereof;

FIG. 3 is a top plan view thereof; and

FIG. 4 is a side elevational view thereof, the opposite side view being a mirror image thereof.

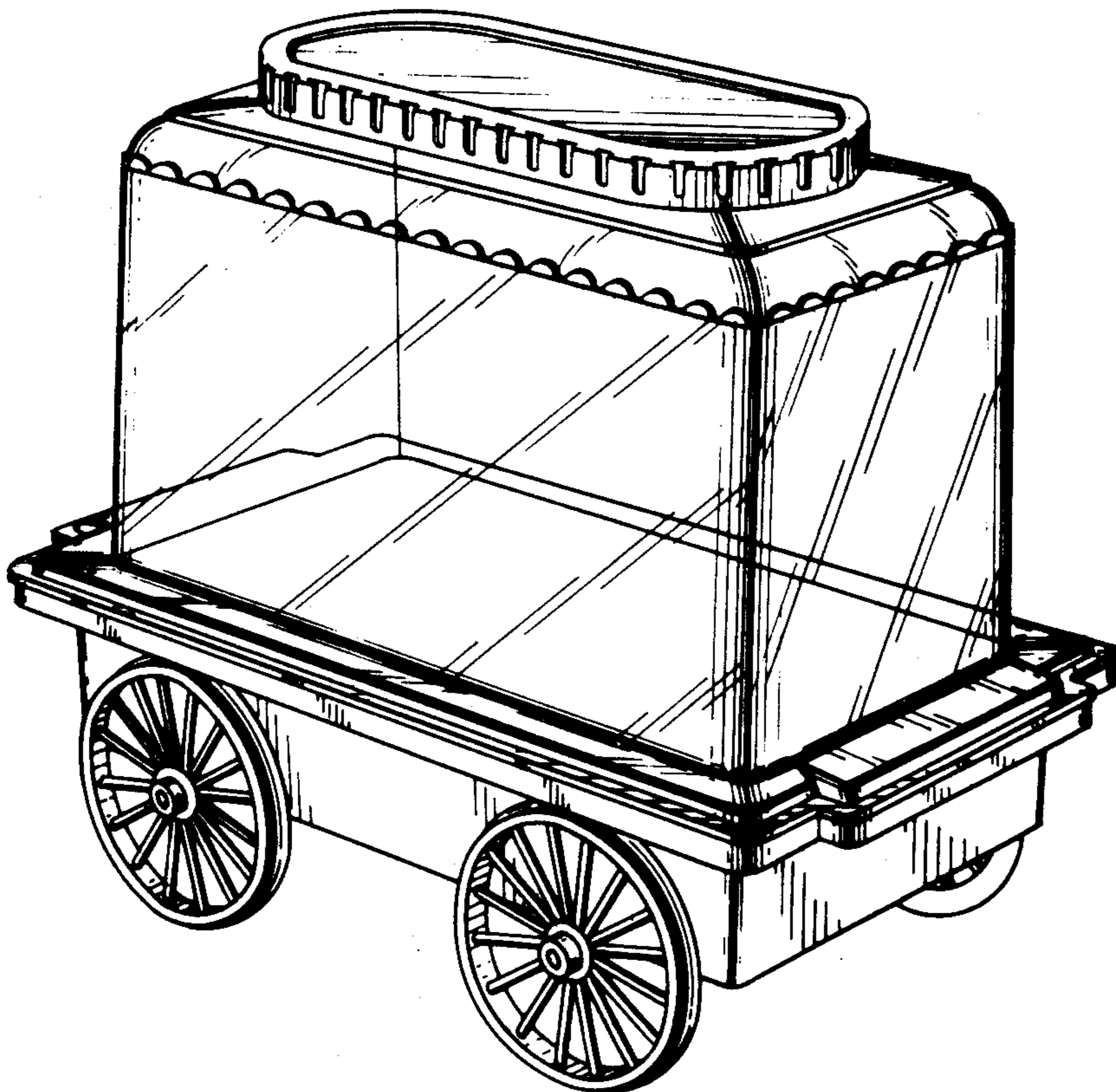


Fig. 1.

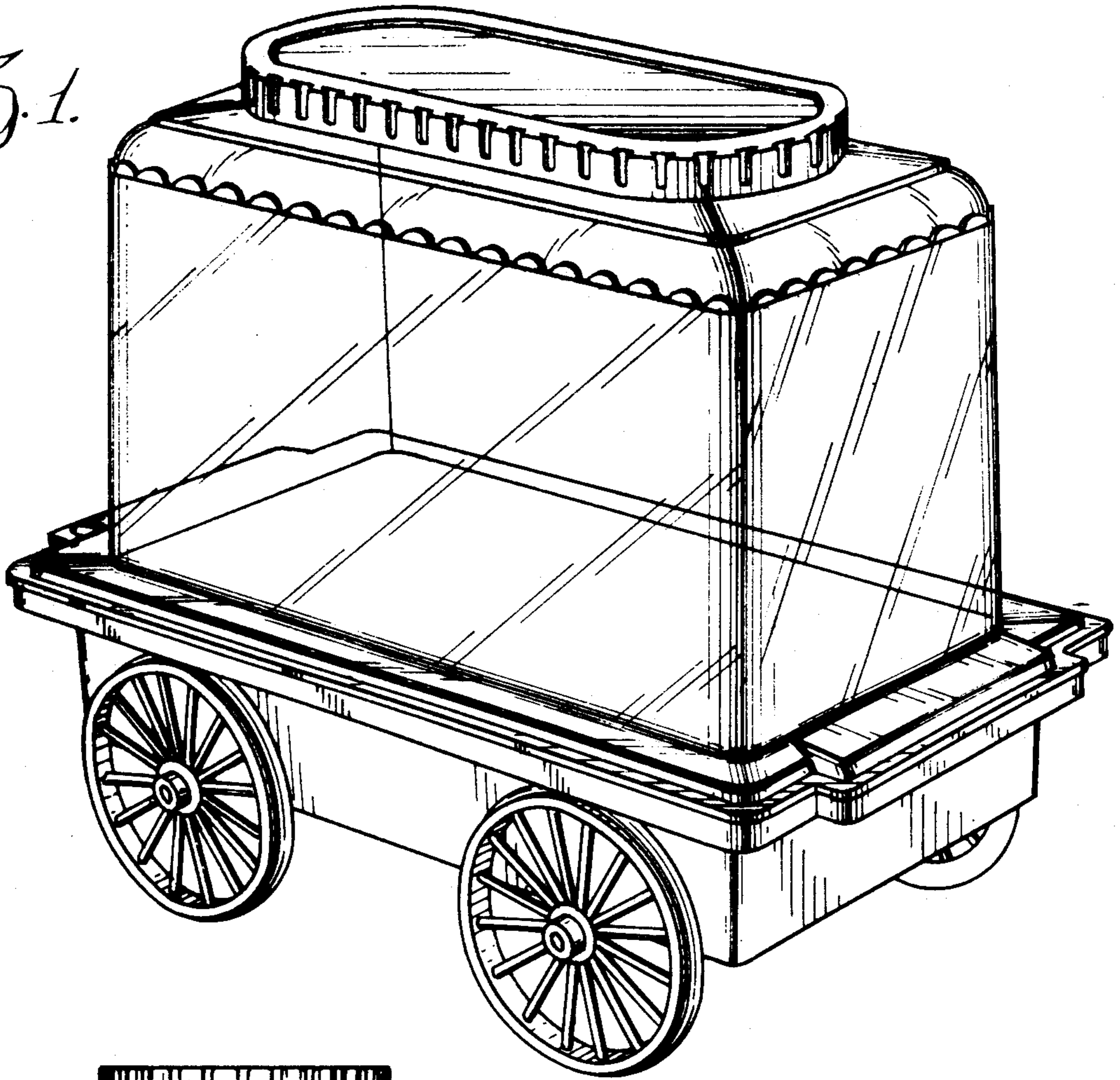


Fig. 2.

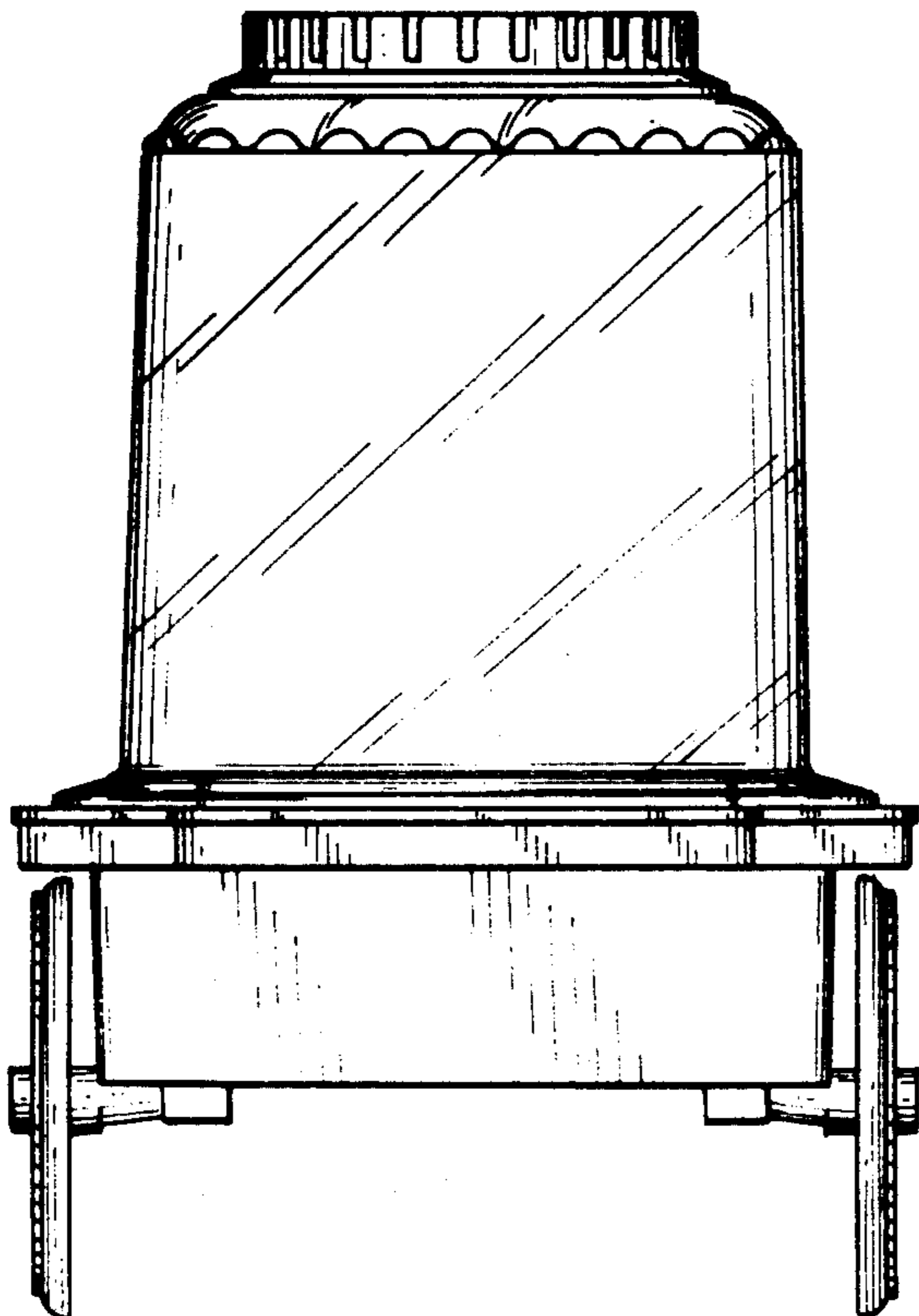


Fig. 3.

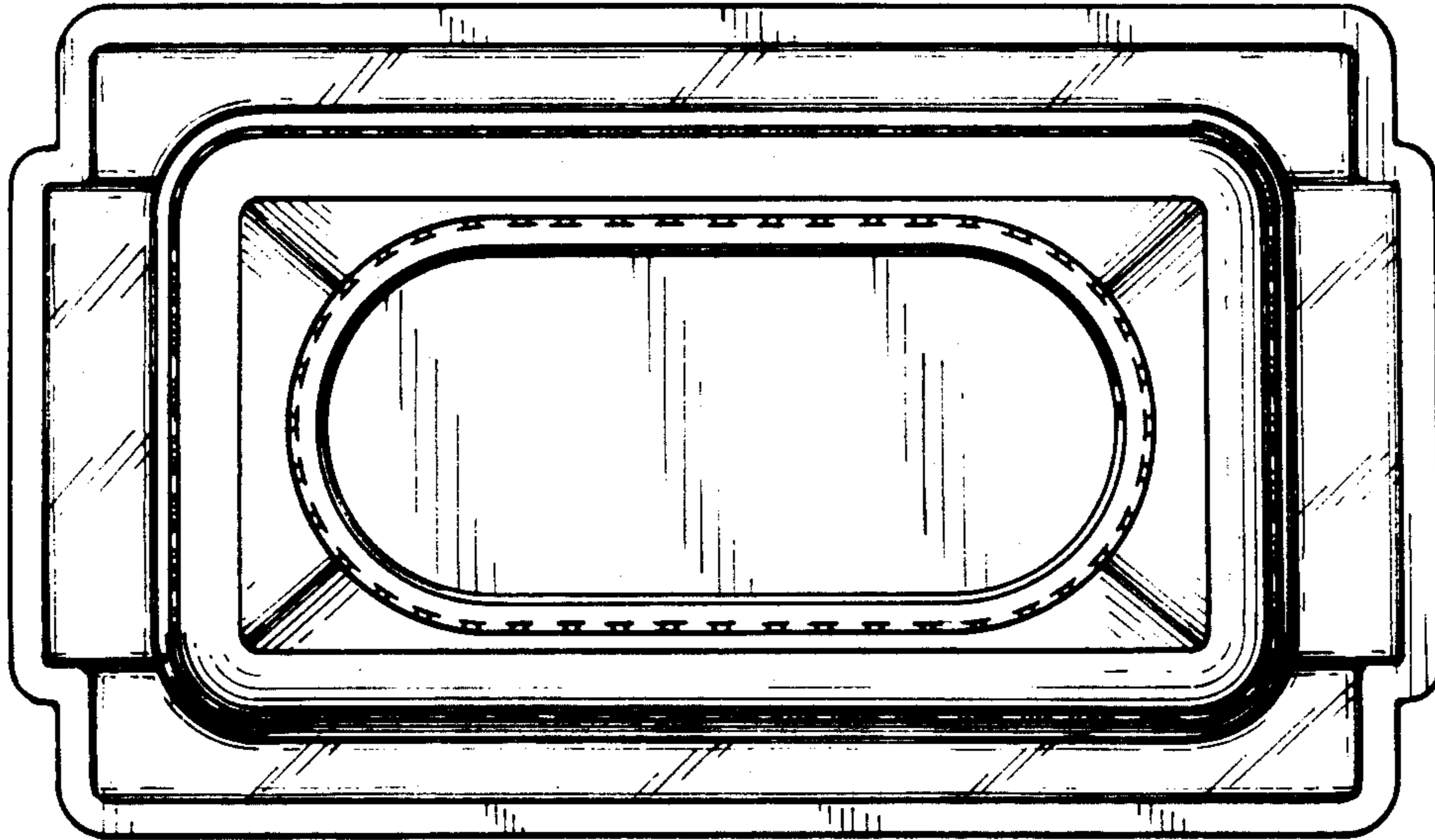


Fig. 4.

