

[54] REVERSIBLE HOLDER FOR PLANT POTS, VASES OR THE LIKE

[76] Inventor: Frederick N. Ashcraft, 4627 Hercules Ave., Jacksonville, Fla. 32205

[**] Term: 14 Years

[21] Appl. No.: 805,622

[22] Filed: Jun. 10, 1977

[51] Int. Cl. D6-06

[52] U.S. Cl. D6/183

[58] Field of Search D6/114, 137, 182, 183; D8/373, 380, 381; 47/41 R, 41 G, 39, 40.5; 248/99, 163, 235; 211/75

[56] References Cited

U.S. PATENT DOCUMENTS

D. 36,086	9/1902	Olsen	D6/183
D. 204,006	3/1966	Reed	D6/183
D. 228,007	7/1973	Fletcher	D6/182
2,001,646	5/1935	Abitsch	47/39

Primary Examiner—Wallace R. Burke
Assistant Examiner—B. J. Bullock

Attorney, Agent, or Firm—George H. Baldwin

[57] CLAIM

The ornamental design for reversible holder for plant pots, vases or the like, substantially as shown and described.

DESCRIPTION

FIG. 1 is a front elevational view of a reversible holder for plant pots, vases or the like showing my new design; FIG. 2 is a top plan view of FIG. 1; FIG. 3 is a front elevational view of FIG. 1 in the reversed position; FIG. 4 is a top plan view of FIG. 3; FIG. 5 is an enlarged sectional view taken on line 5—5 of FIG. 1; FIG. 6 is a perspective view of a second embodiment of the design of FIG. 1, the only difference being the omission of the upper and lower rings; FIG. 7 is a front elevational view of a third embodiment of the design of FIG. 1, the only difference being the substitution of a flat stock for the round wire; FIG. 8 is a top plan view of FIG. 7; FIG. 9 is a bottom plan view of FIG. 7; and FIG. 10 is an enlarged sectional view taken on line 10—10 of FIG. 7.

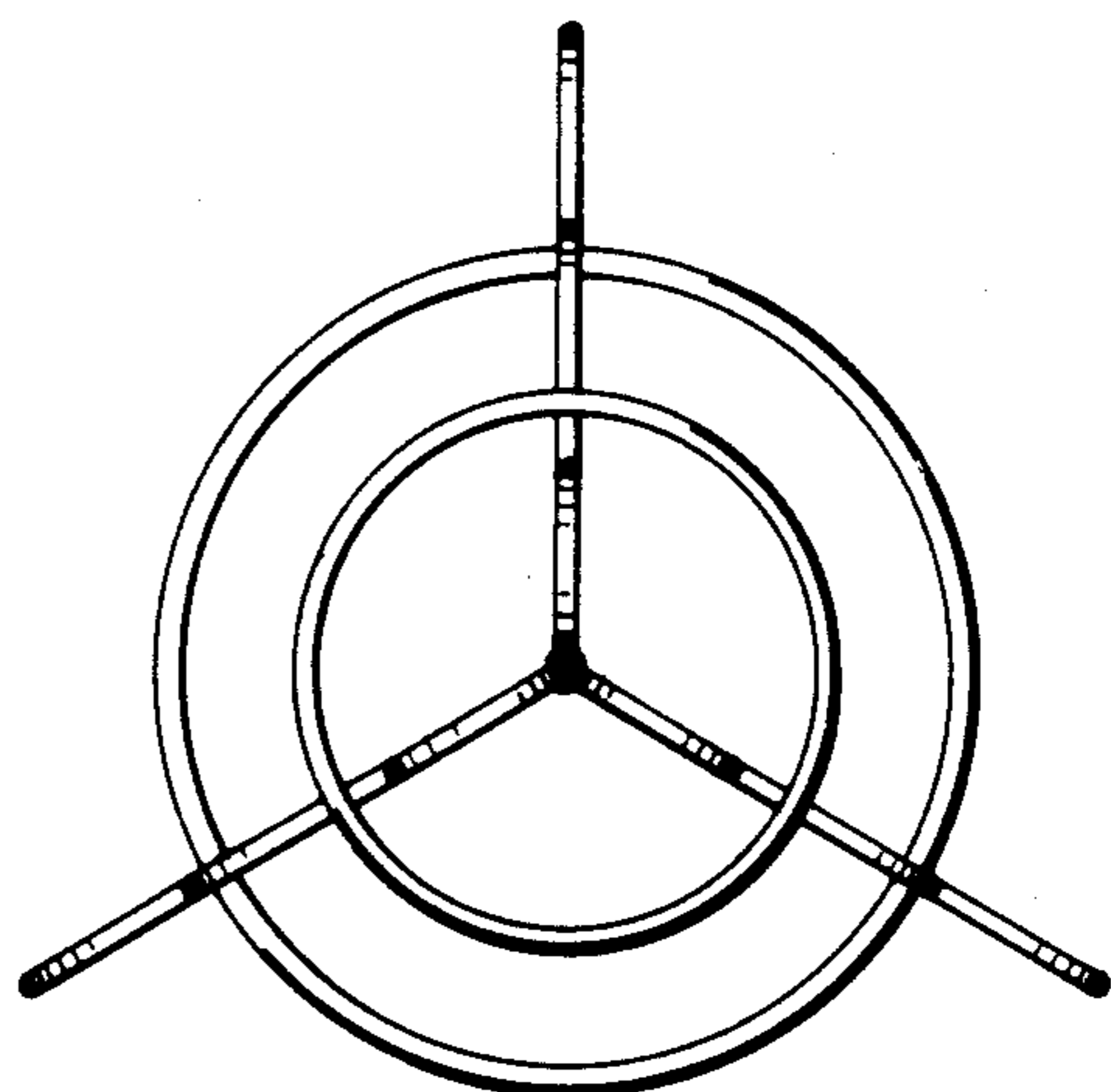
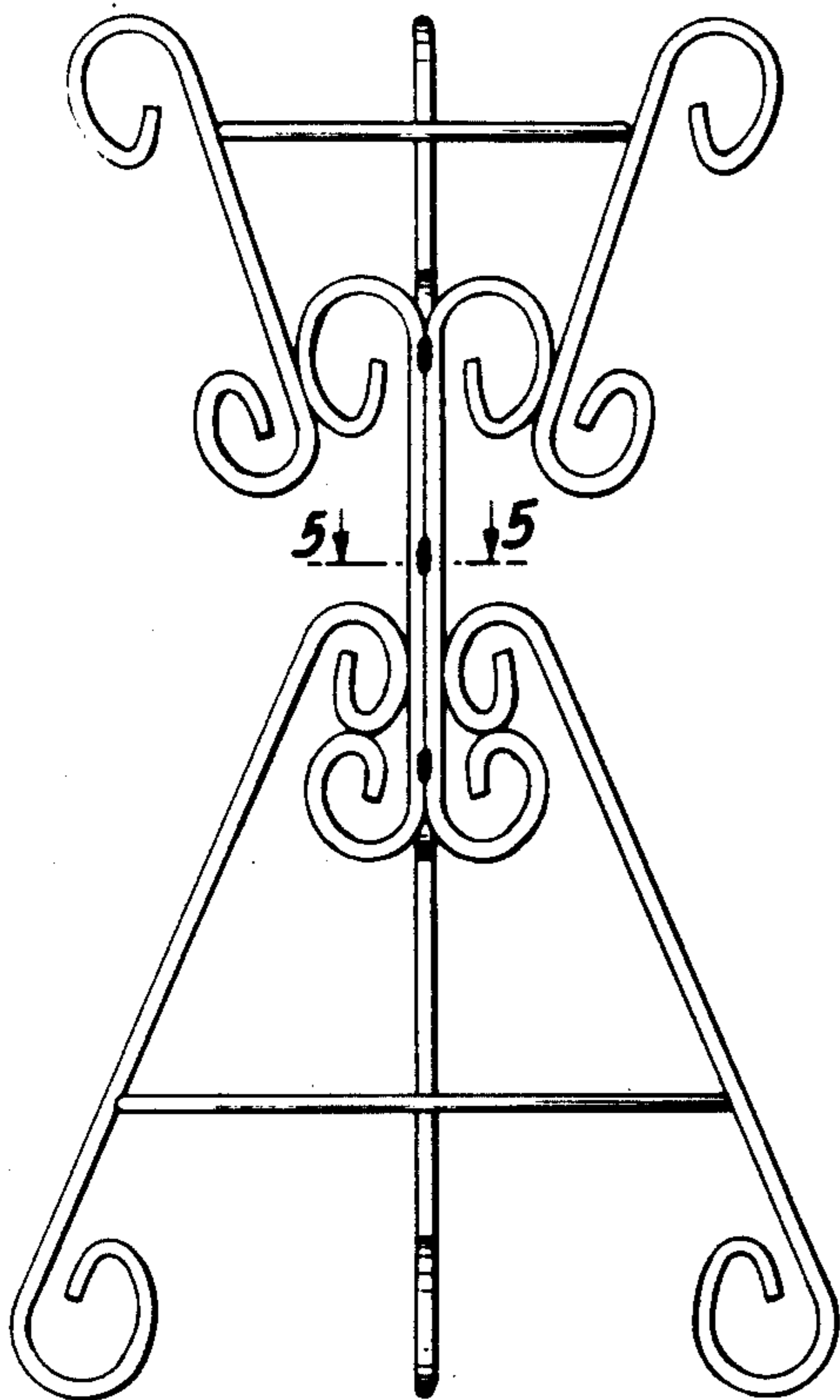


FIG.1

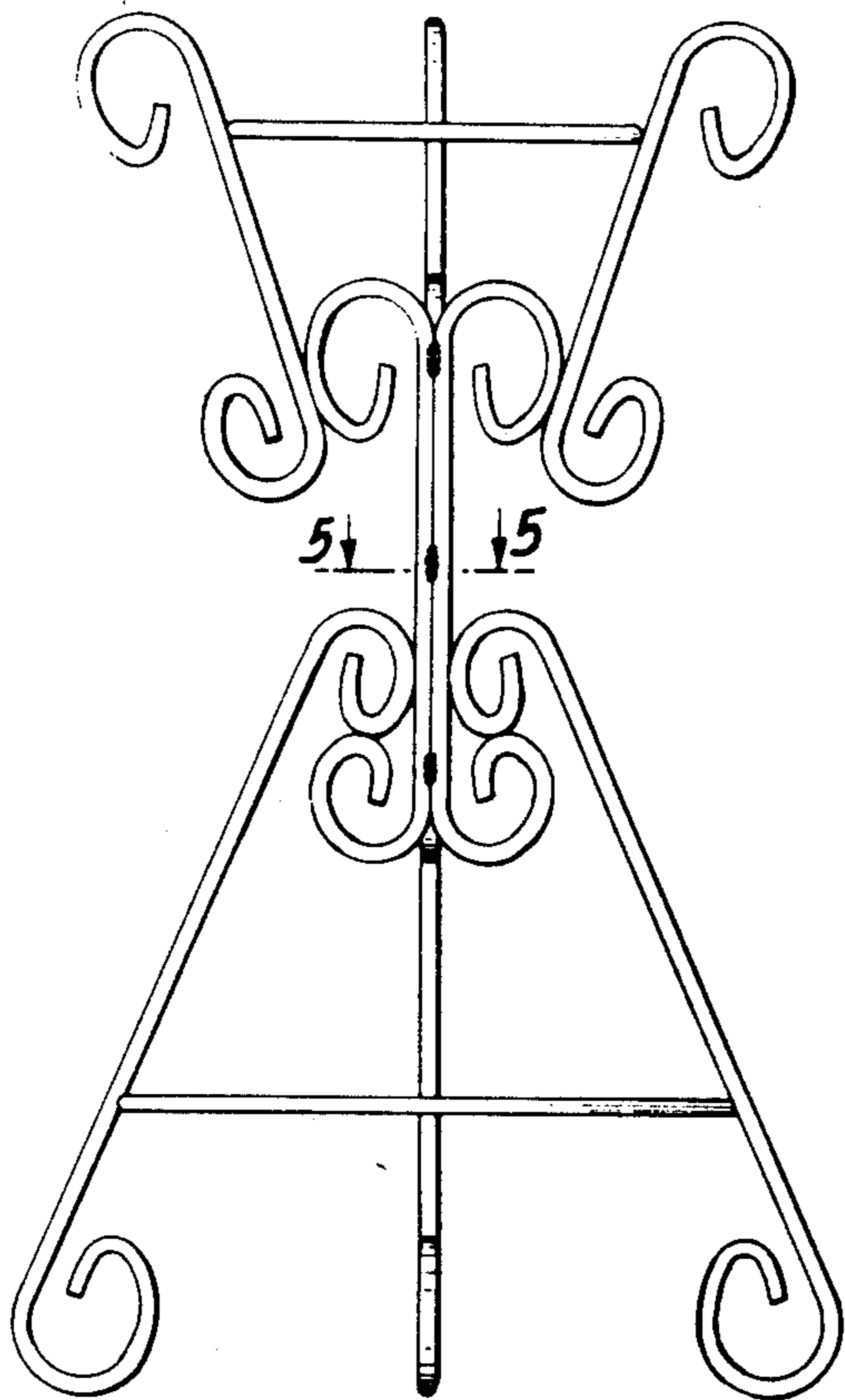


FIG.3

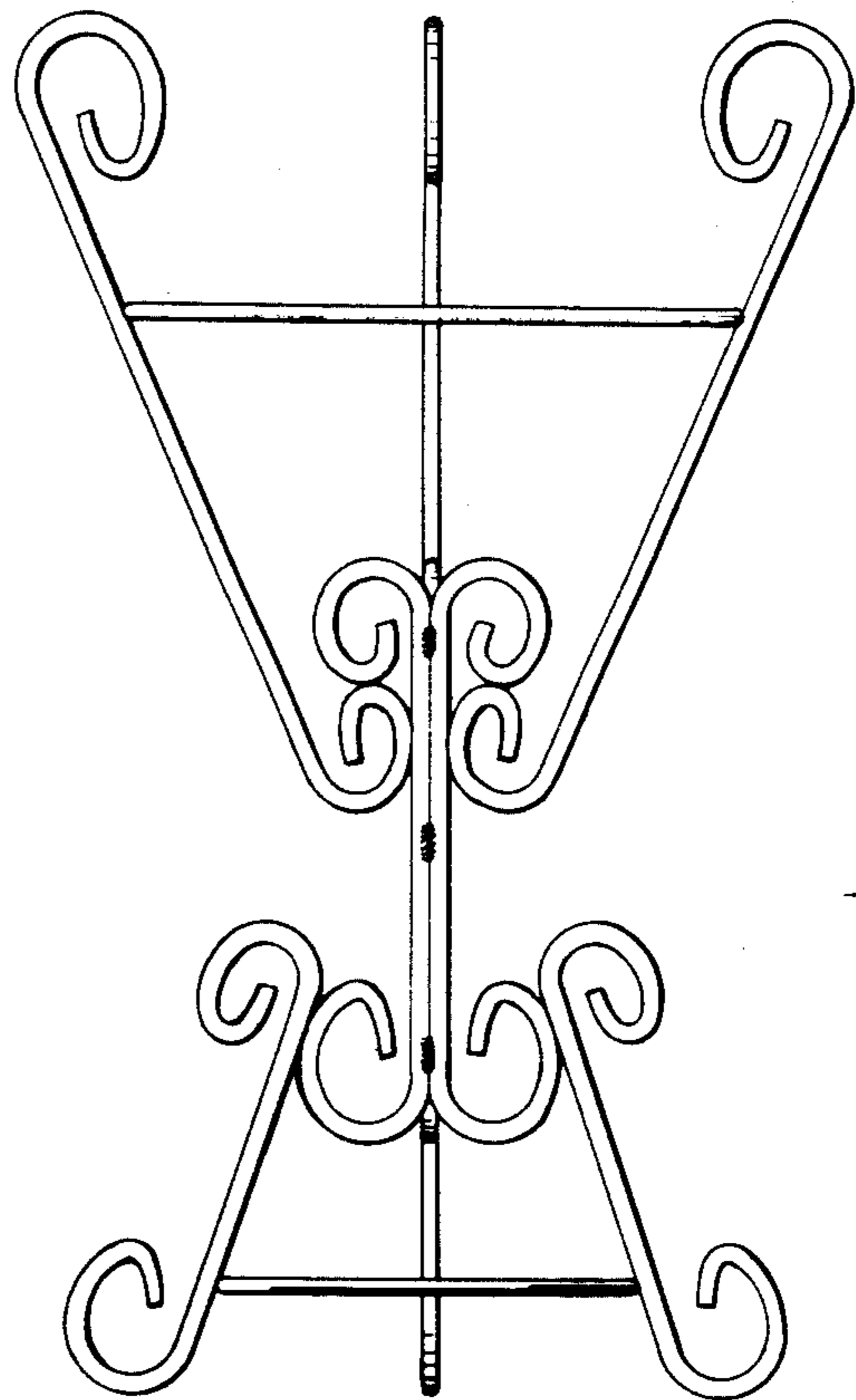


FIG.2

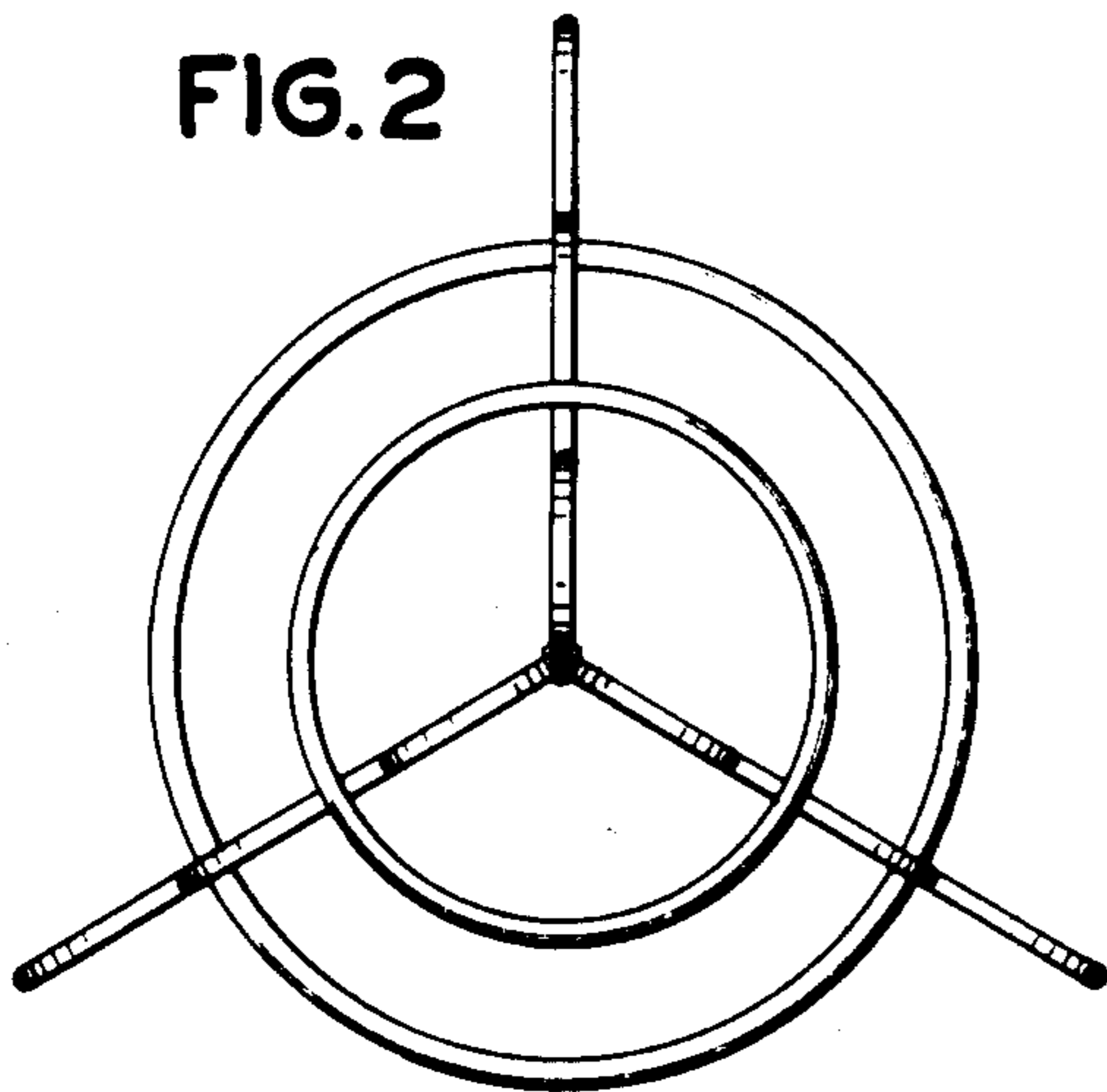


FIG.4

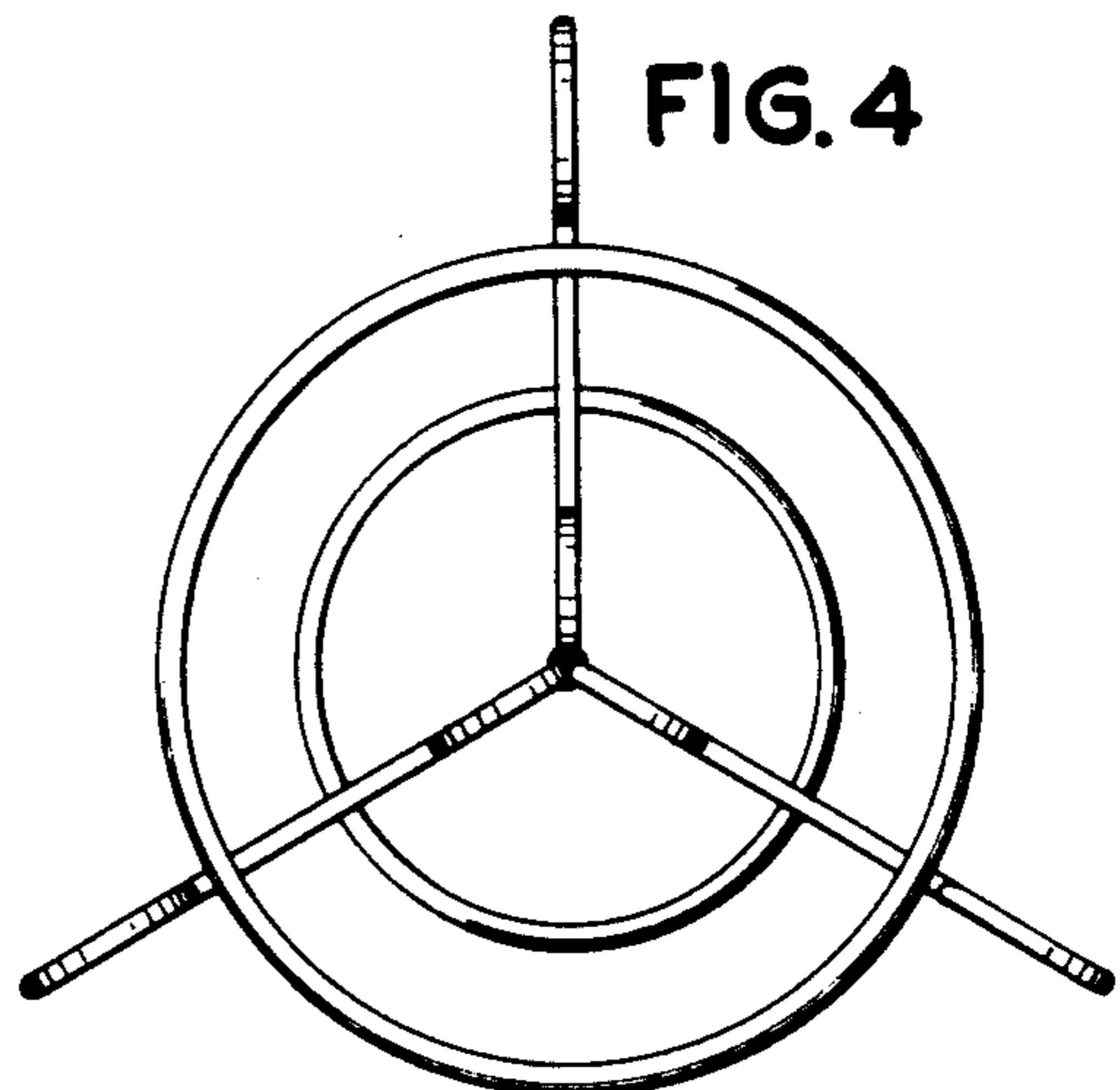
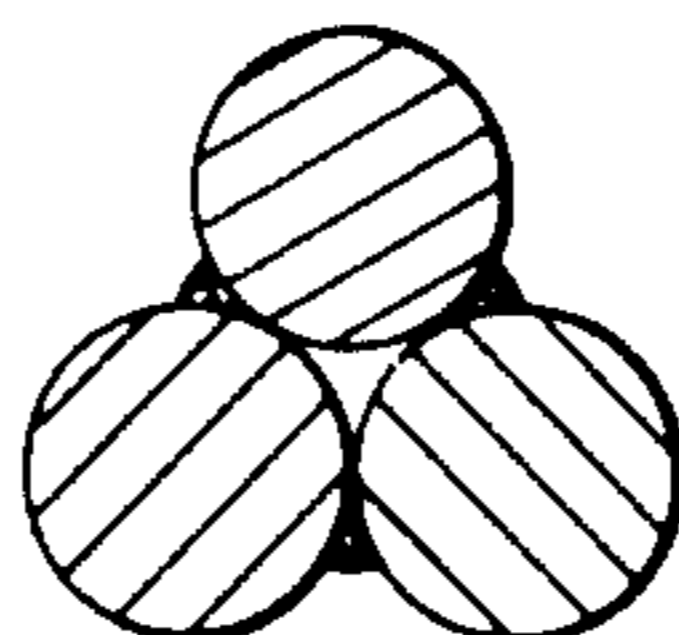


FIG.5



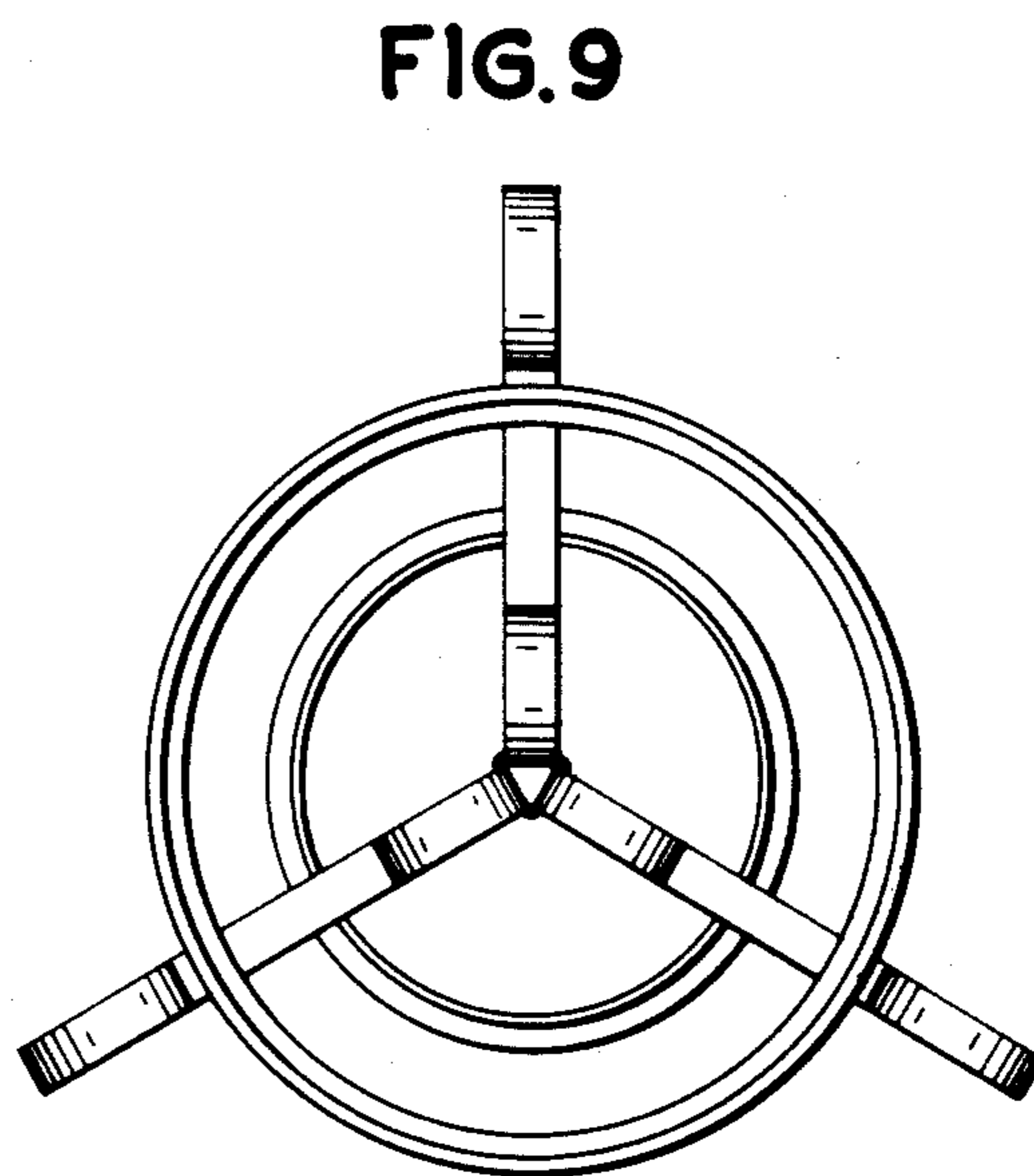
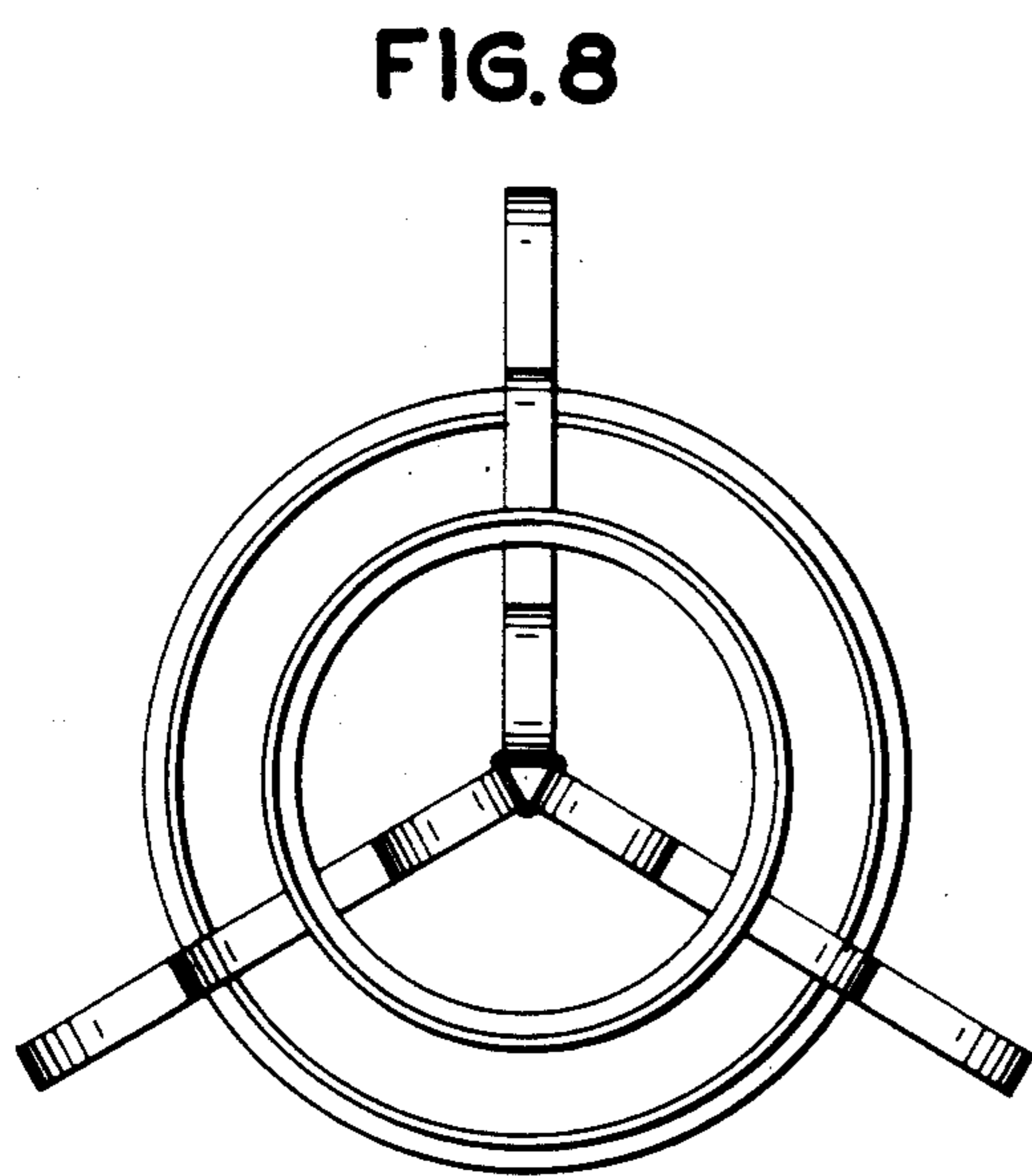
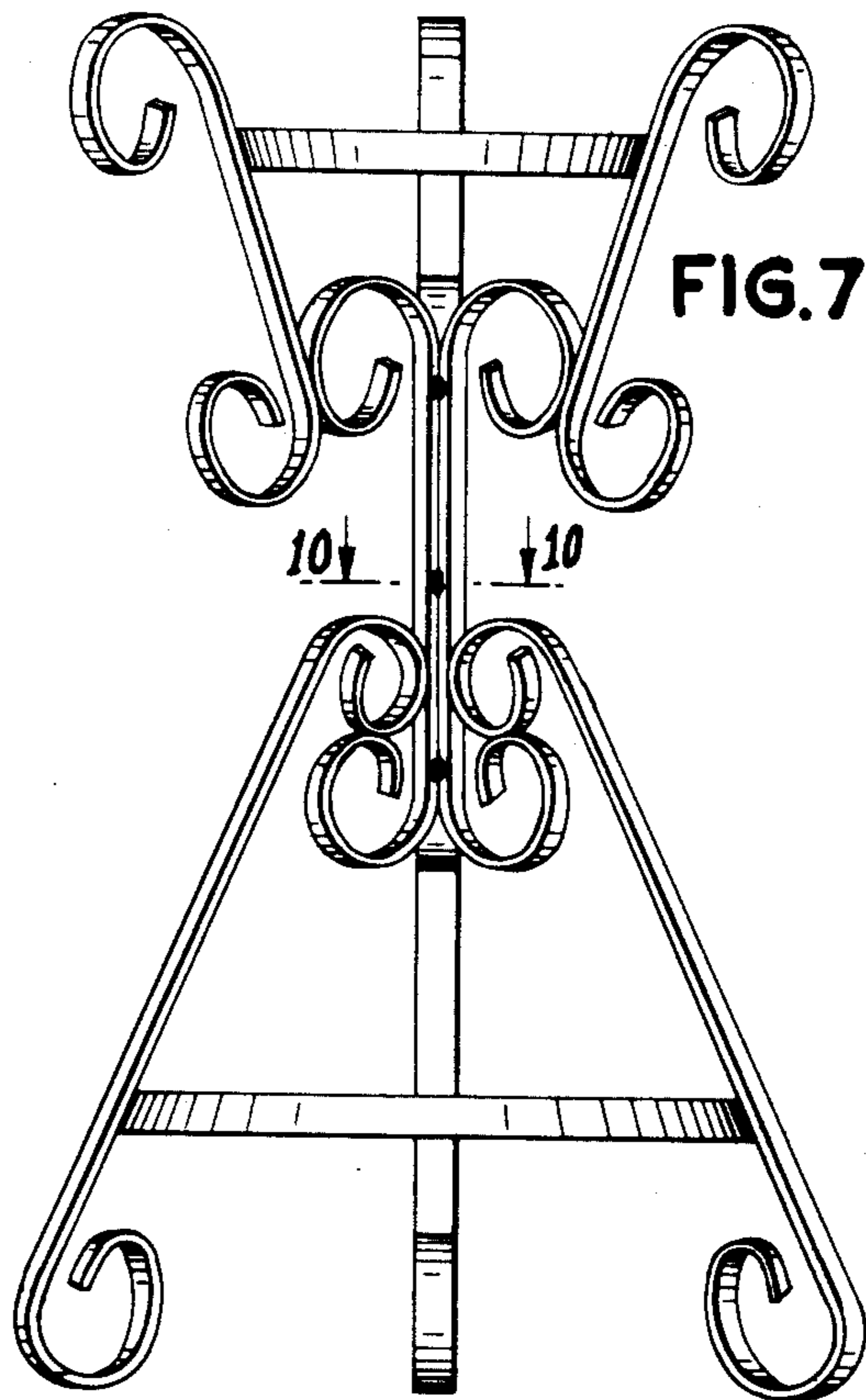
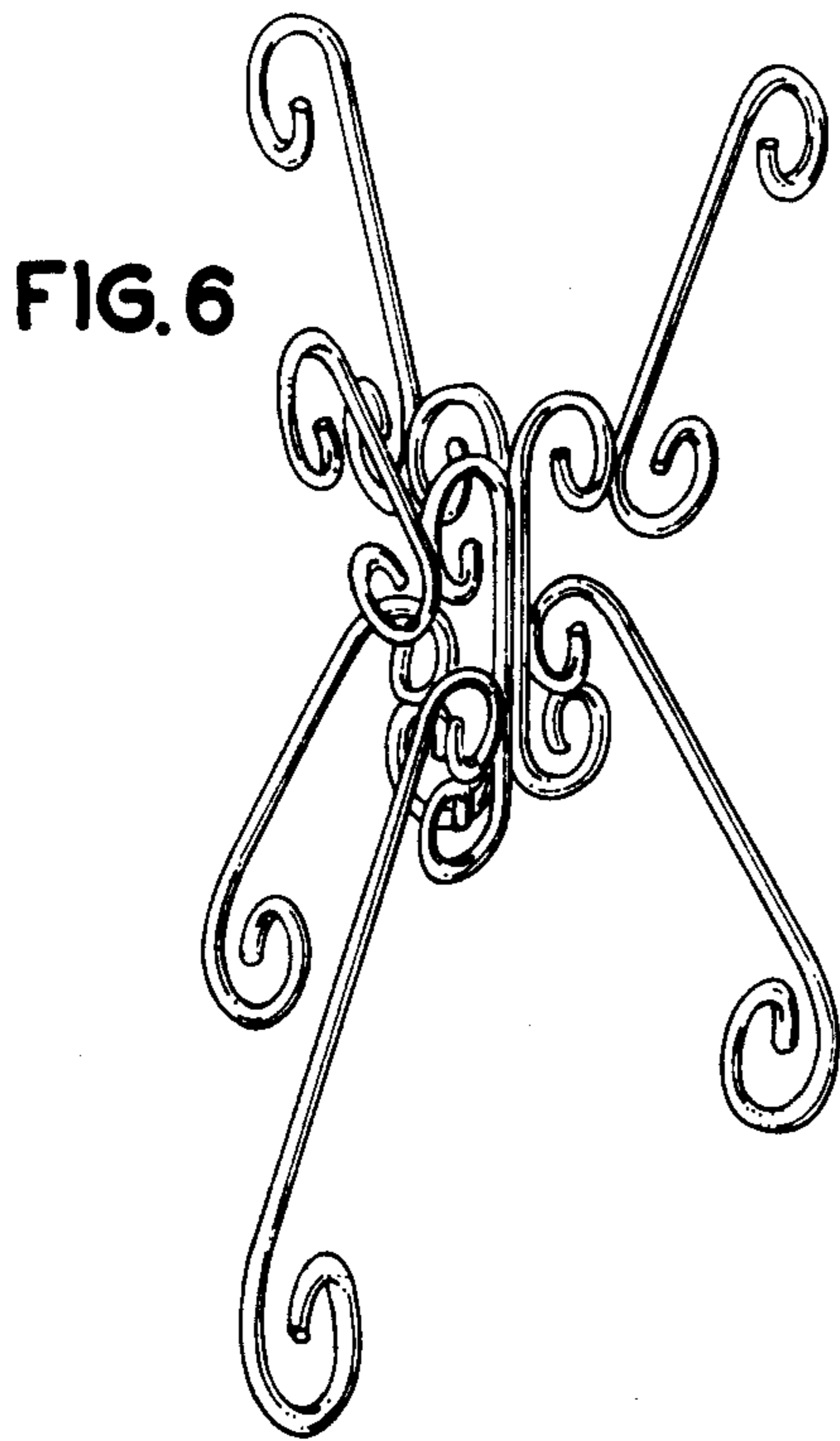


FIG. 10

