

[54] PLANT STAND

[76] Inventor: Charles J. Insalaco, Pigeon Swamp Rd., South Windham, Conn. 06266

[**] Term: 14 Years

[21] Appl. No.: 842,231

[22] Filed: Oct. 14, 1977

[51] Int. Cl. D6-06; D6-03

[52] U.S. Cl. D6/146; D6/177; D6/179; D6/183

[58] Field of Search D6/20, 23-25, D6/27-29, 85, 146, 176, 177, 179, 182, 183; 47/39; 211/13, 74, 78, 79

[56] References Cited

U.S. PATENT DOCUMENTS

D. 235,472	6/1975	Geisler	D6/27
2,789,873	4/1957	Gondet	D6/177
2,941,502	6/1960	Pusey	47/39

Primary Examiner—Wallace R. Burke
Assistant Examiner—B. J. Bullock
Attorney, Agent, or Firm—Donald F. Bradley

[57] CLAIM

The ornamental design for a plant stand, substantially as shown and described.

DESCRIPTION

FIG. 1 is a perspective view of the plant stand showing my new design.

FIG. 2 is a side elevational view thereof;

FIG. 3 is a top plan view thereof;

FIG. 4 is a sectional view taken on line 4-4 of FIG. 2.

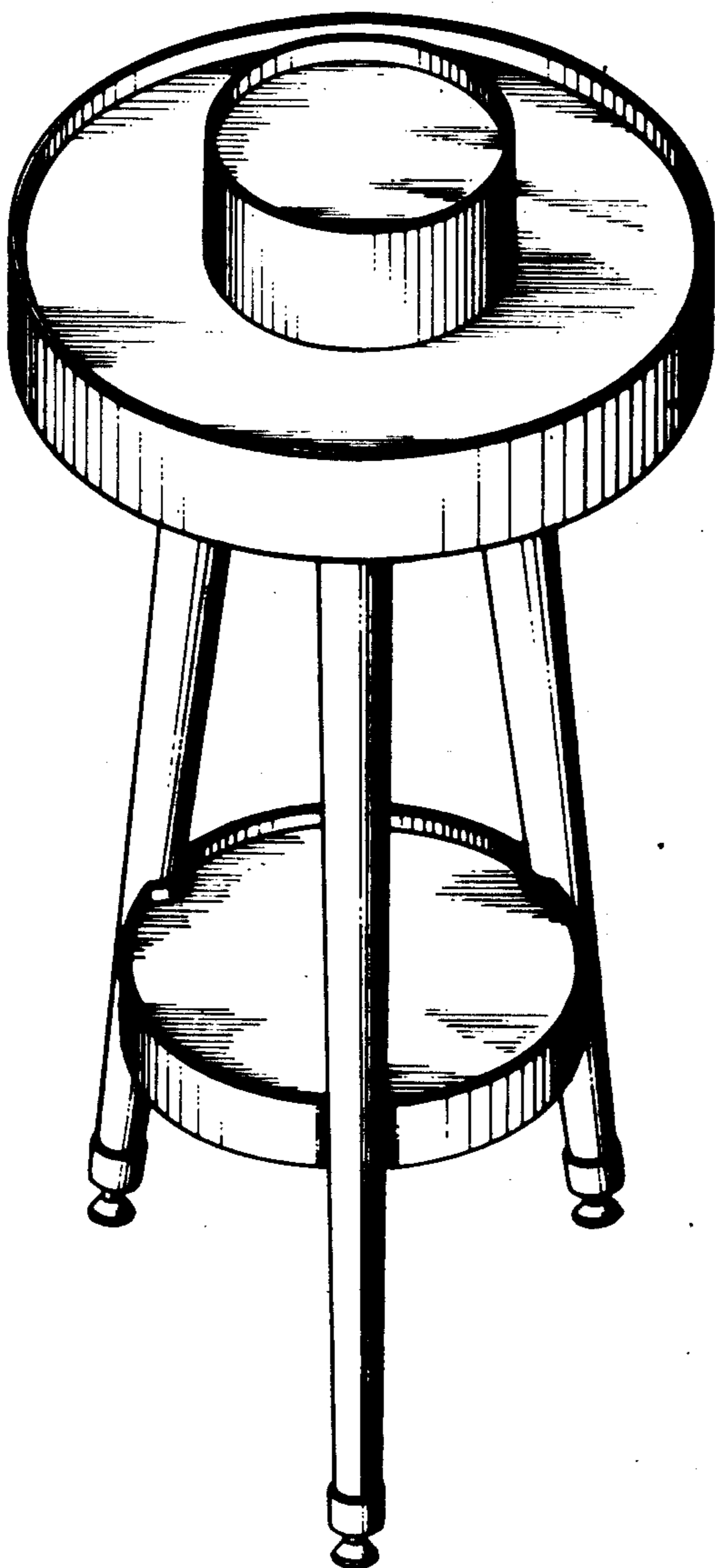


Fig. 1

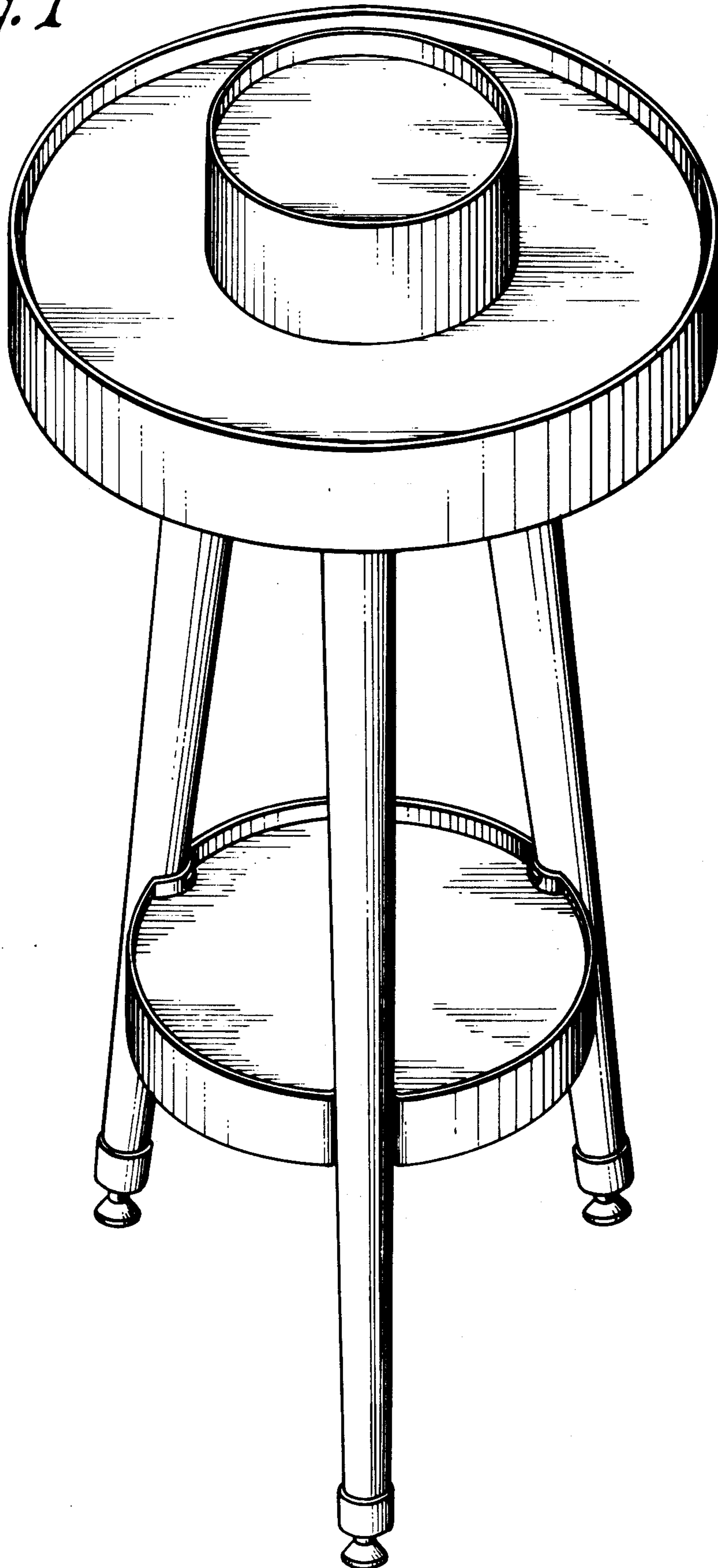


Fig. 2

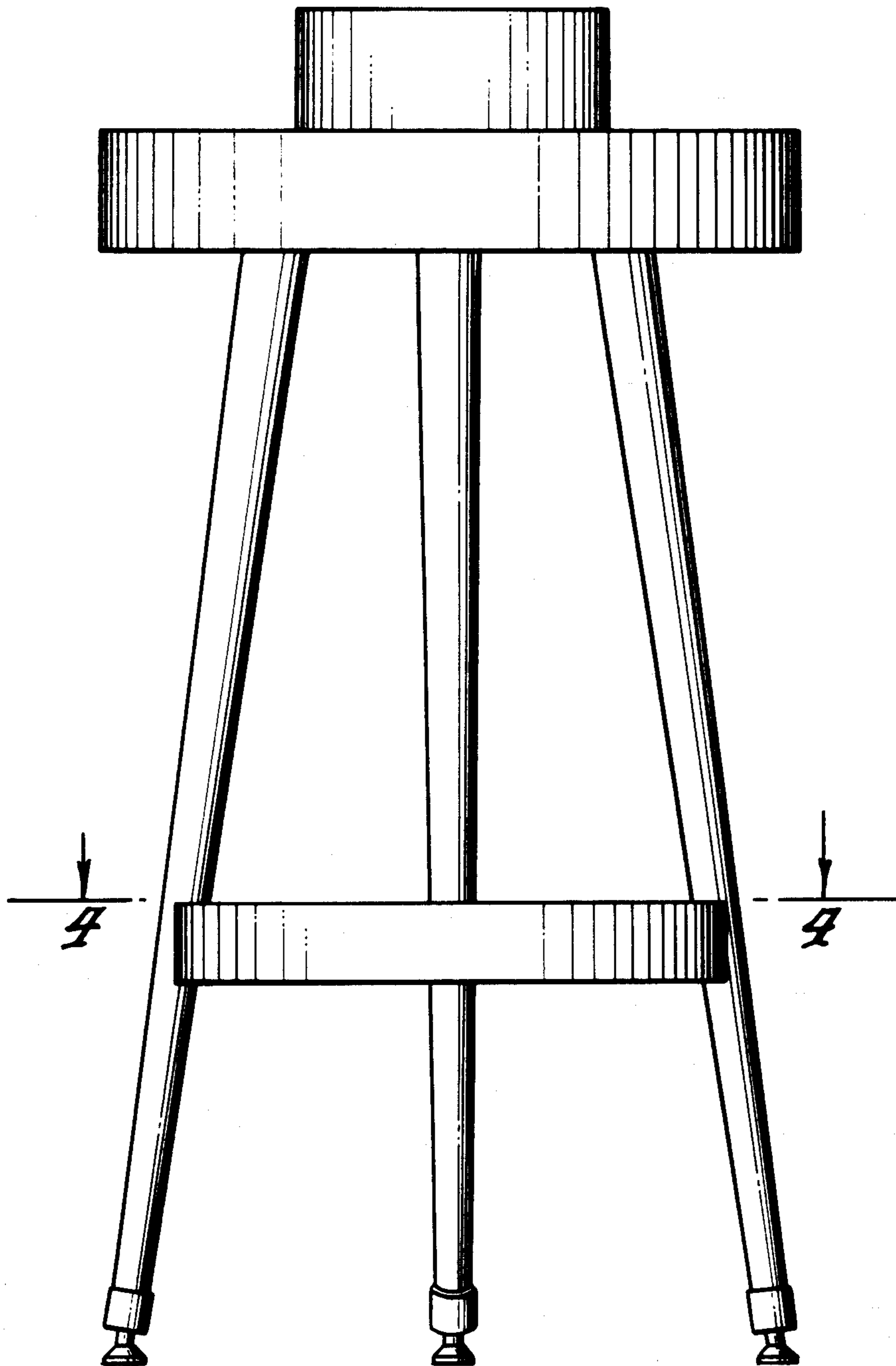


Fig. 3

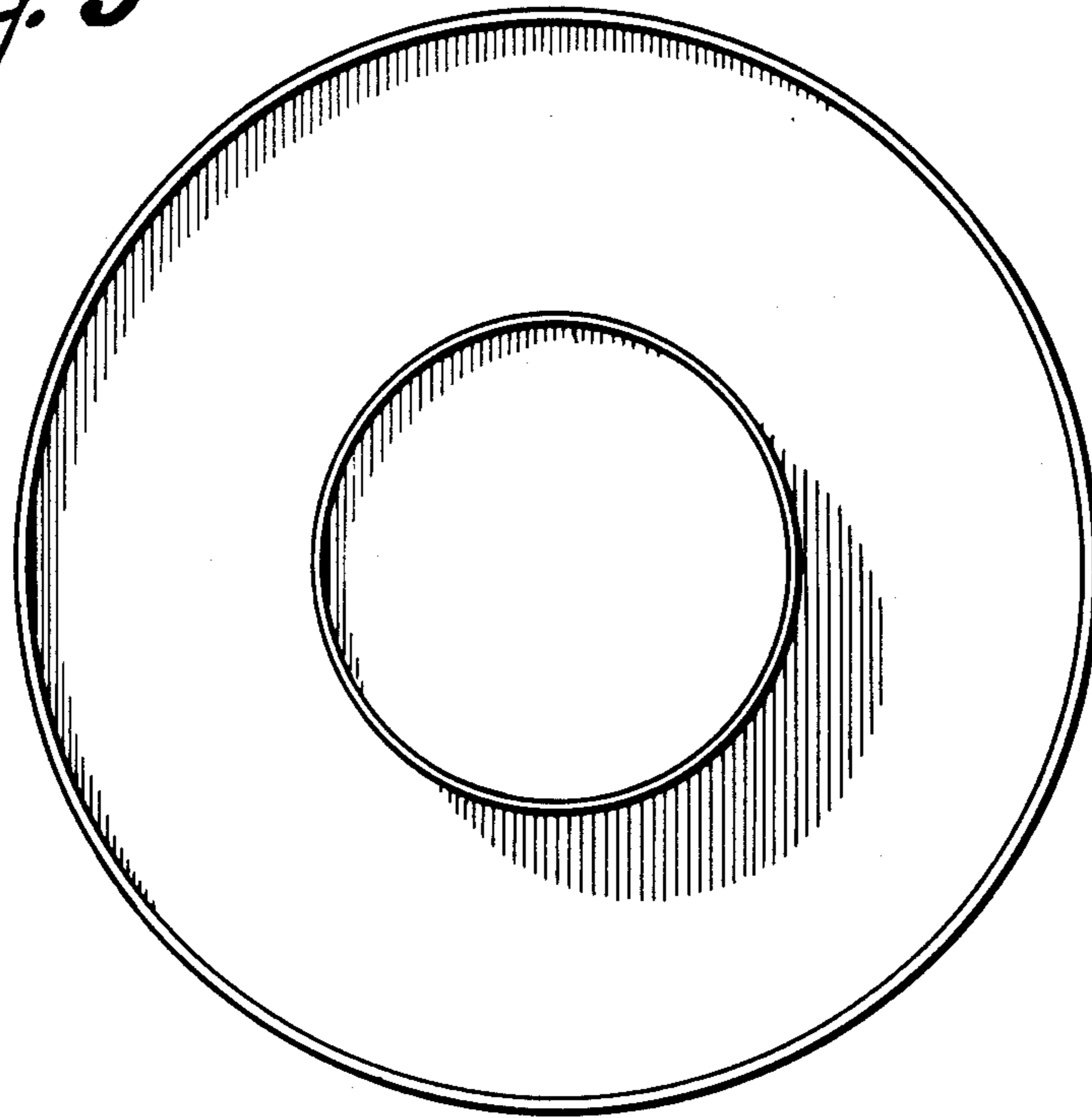


Fig. 4

