

[54] CHAIR

[76] Inventor: Steven D. Gageby, 12 Hay Camp Rd., North Oaks, Minn. 55110

[\*\*] Term: 14 Years

[21] Appl. No.: 677,602

[22] Filed: Apr. 16, 1976

[51] Int. Cl. .... D6-01

[52] U.S. Cl. .... D6/75; D6/78

[58] Field of Search ..... D6/20, 26, 29, 30, 31, D6/37, 38, 39, 47, 56, 59, 61, 63, 67, 66, 69, 73, 75, 78; 297/463

[56] References Cited

U.S. PATENT DOCUMENTS

D. 37,508	8/1905	Stickley .....	D6/73
D. 58,960	9/1921	Wilcox .....	D6/75
D. 229,802	1/1974	Lindvall .....	D6/47
D. 238,633	2/1976	Hunter .....	D6/78 X

OTHER PUBLICATIONS

Domus, Jul. 1970, p. 34, Chair in panel 10, top center.  
Interiors, Aug. 1973, p. 36, Chair bottom right.

Primary Examiner—Bruce W. Dunkins

[57] CLAIM

The ornamental design for a chair, as shown and described.

DESCRIPTION

FIG. 1 is a side elevation view of a chair showing my new design, the undisclosed side being substantially identical with the side shown, the recessed areas are shaded for color contrast.

FIG. 2 is a front elevation view thereof, the recessed areas are shaded for color contrast;

FIG. 3 is a rear elevation view thereof, the recessed areas are shaded for color contrast;

FIG. 4 is a top view thereof, the recessed areas are shaded for color contrast;

FIG. 5 is a cross-section taken on line 5—5 of FIG. 1, the recessed areas are shaded for color contrast;

FIG. 6 is a cross-section taken on line 6—6 of FIG. 3;

FIG. 7 is a cross-section taken on line 7—7 of FIG. 2, the recessed areas are shaded for color contrast;

FIG. 8 is a second embodiment of FIG. 3;

FIG. 9 is a third embodiment of FIG. 3;

FIG. 10 is a second embodiment of FIG. 1;

FIG. 11 is a front perspective view of my new design, the recessed areas are shaded for color contrast; and

FIG. 12 is a rear perspective view of my new design, the recessed areas are shaded for color contrast.

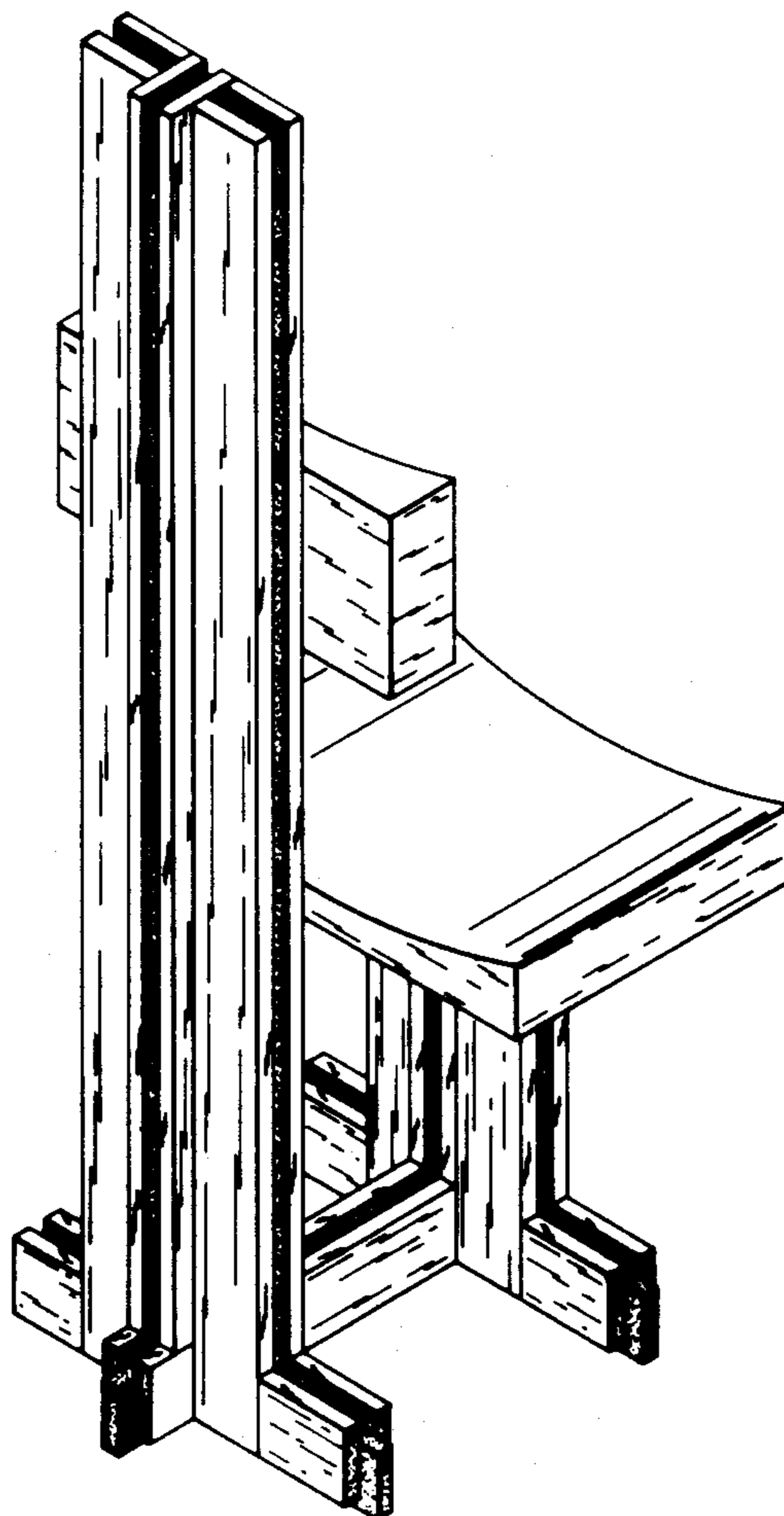


FIG. 1

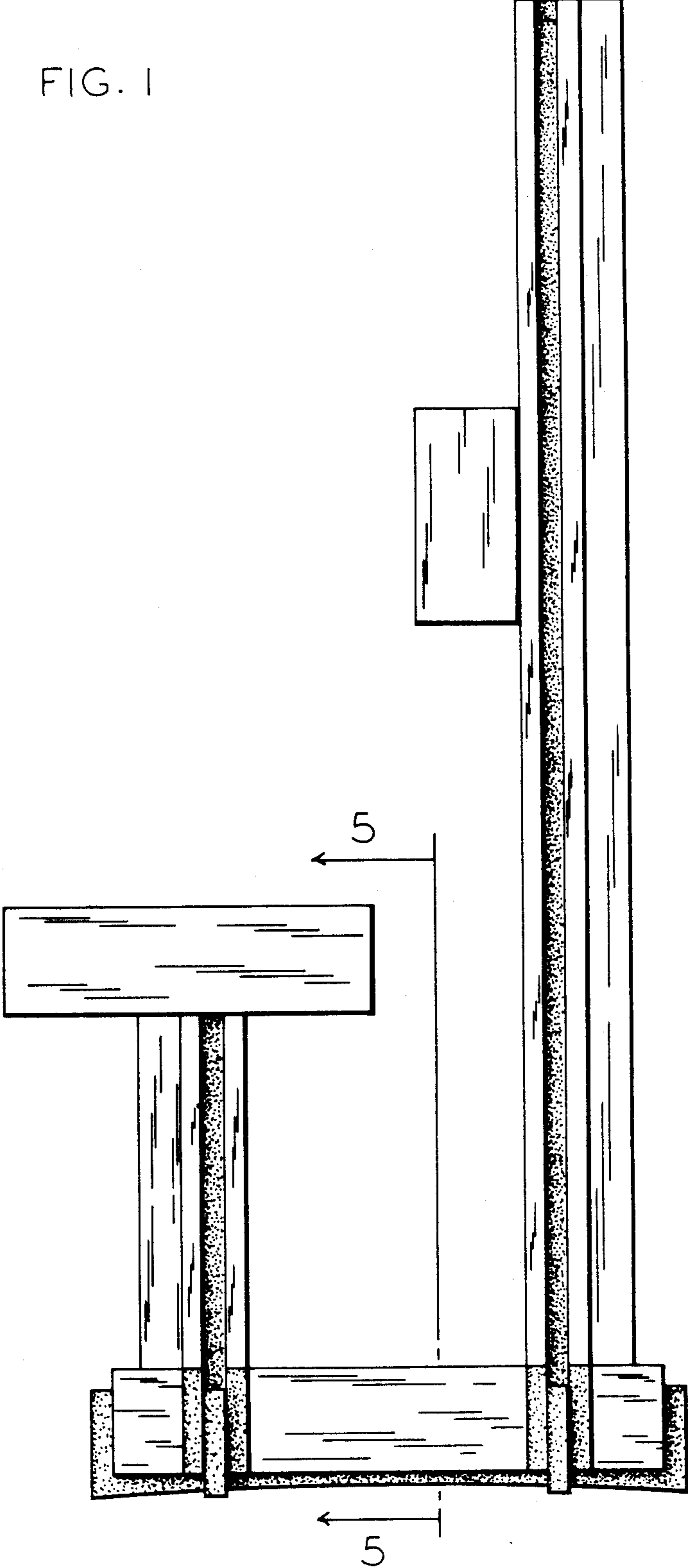


FIG. 2

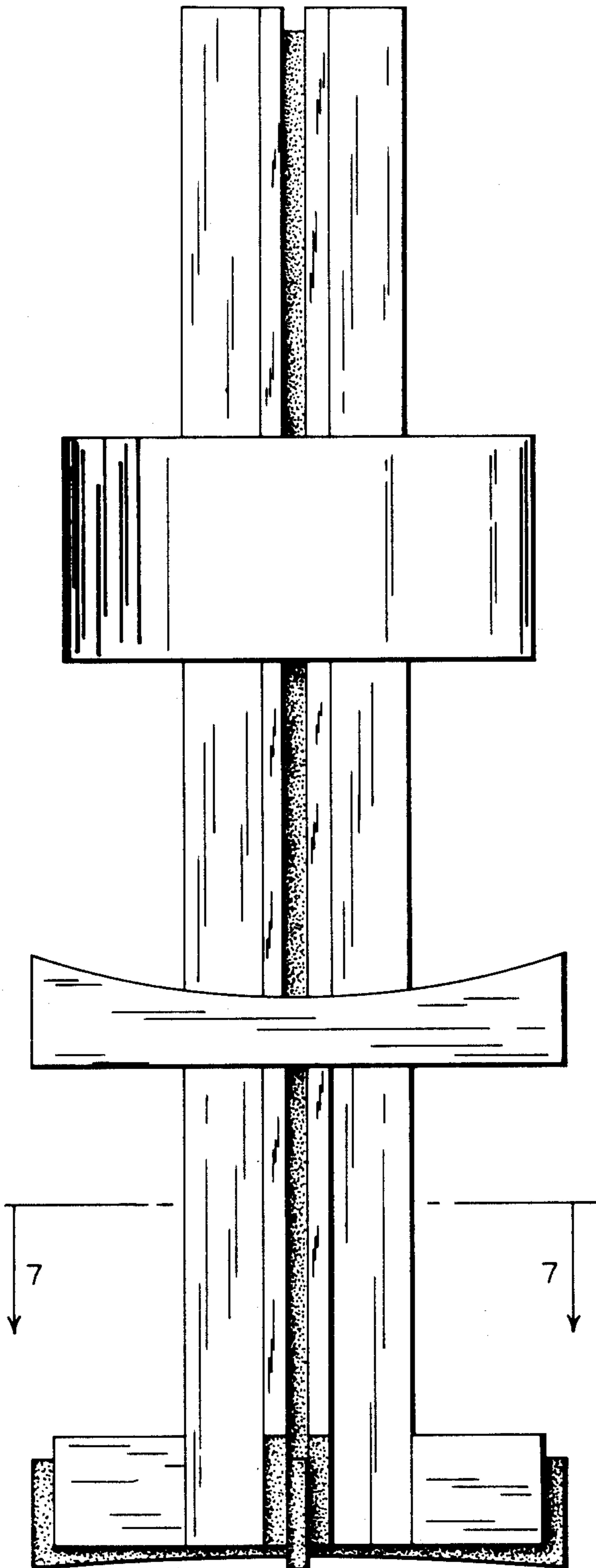


FIG. 3

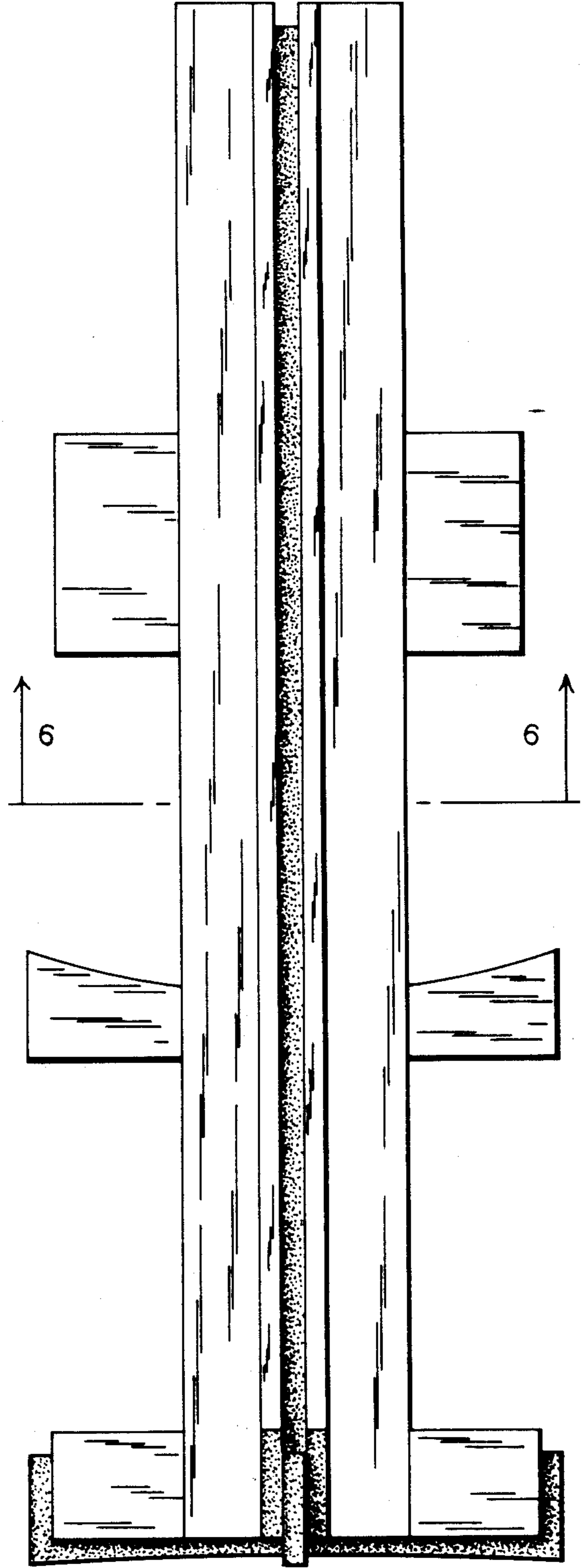


FIG. 4

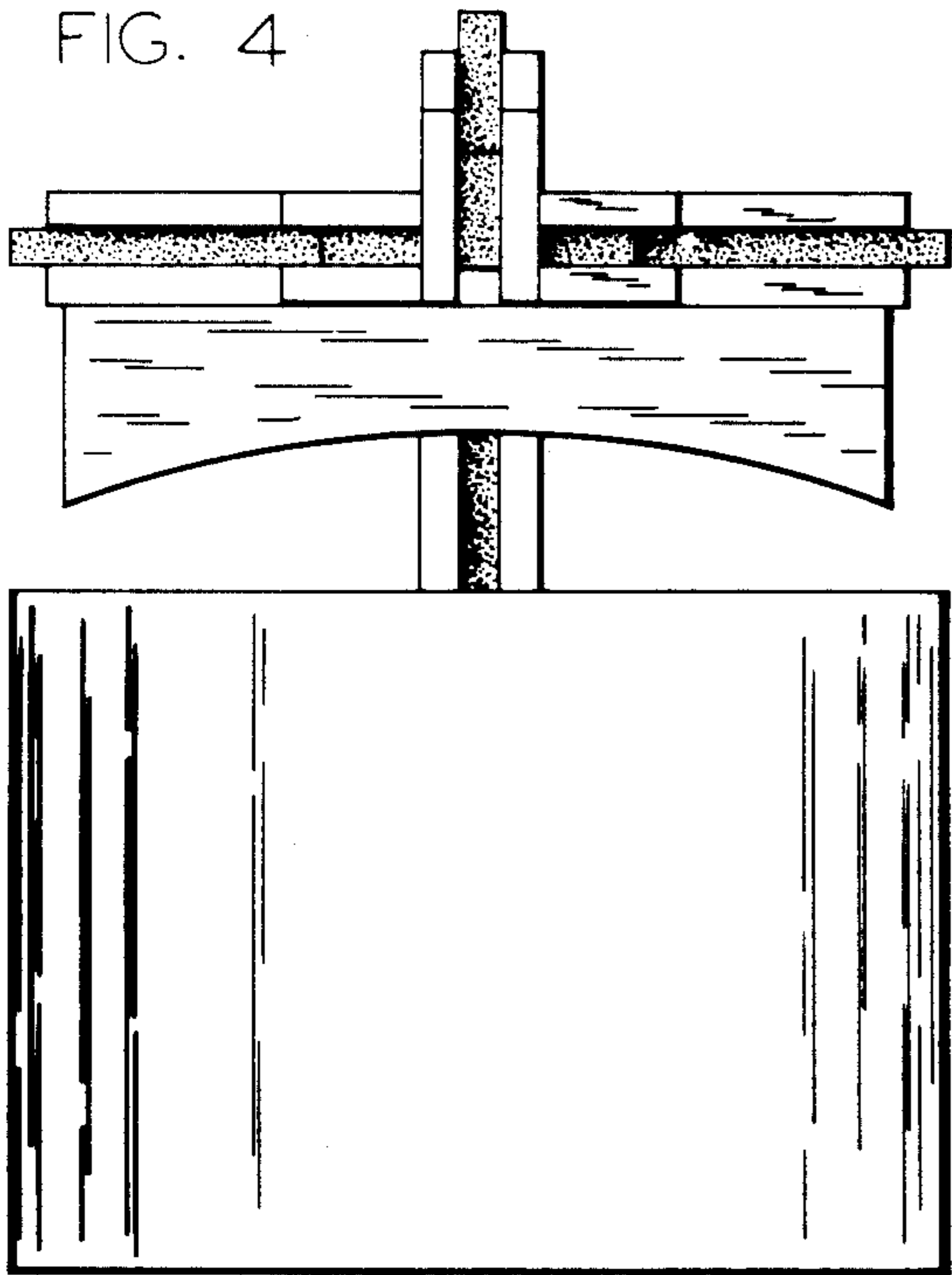


FIG. 7

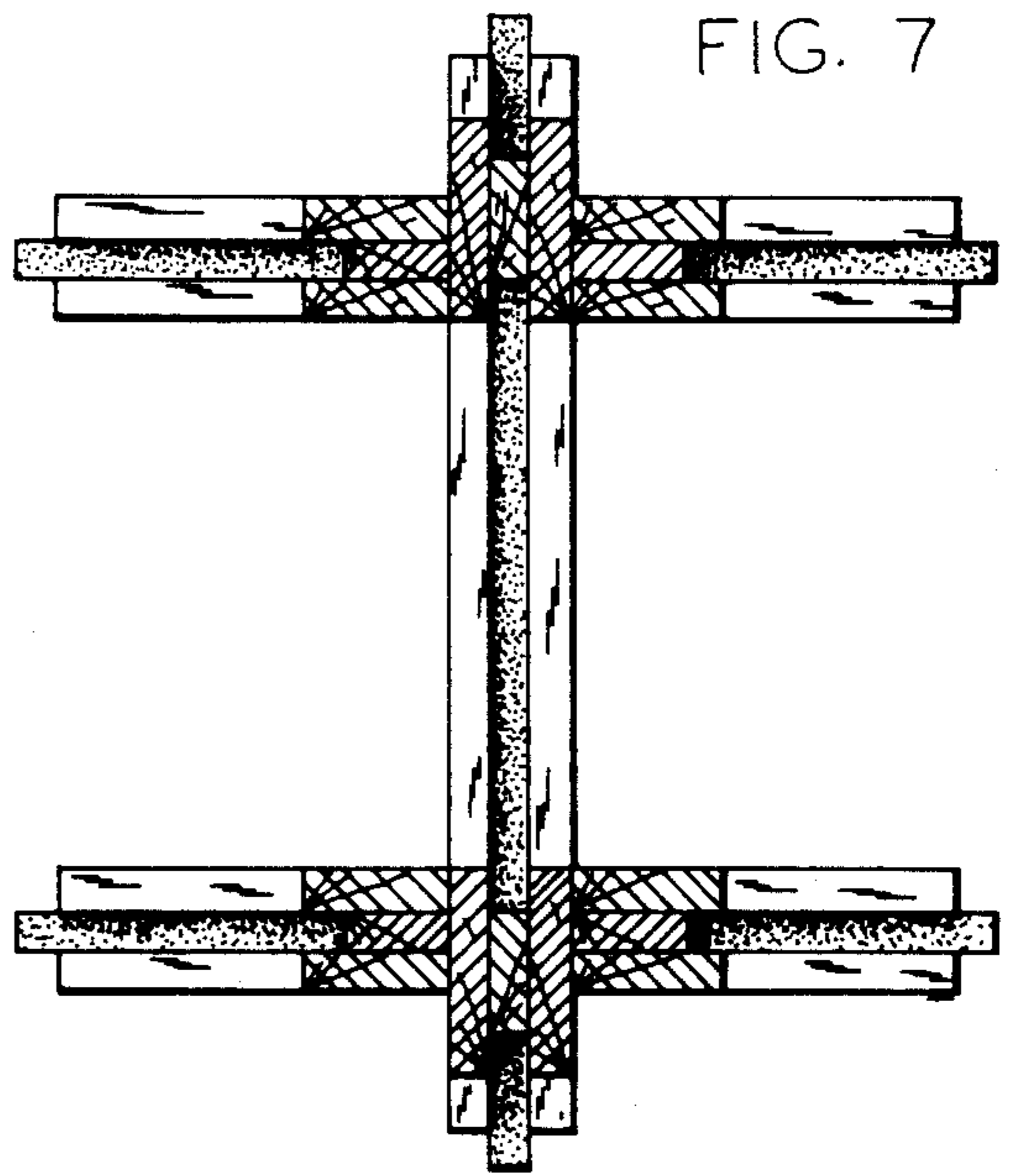


FIG. 5

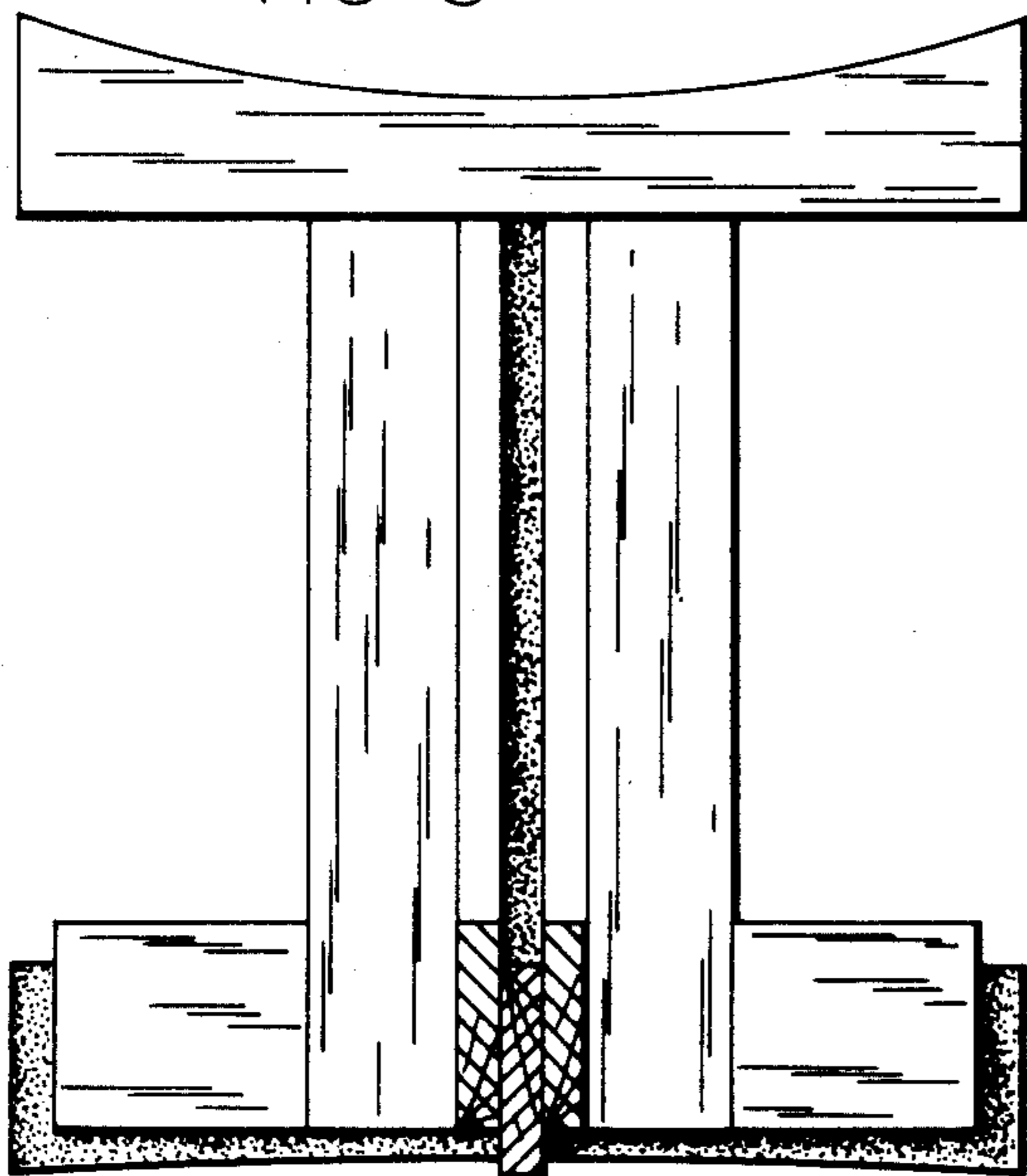


FIG. 6

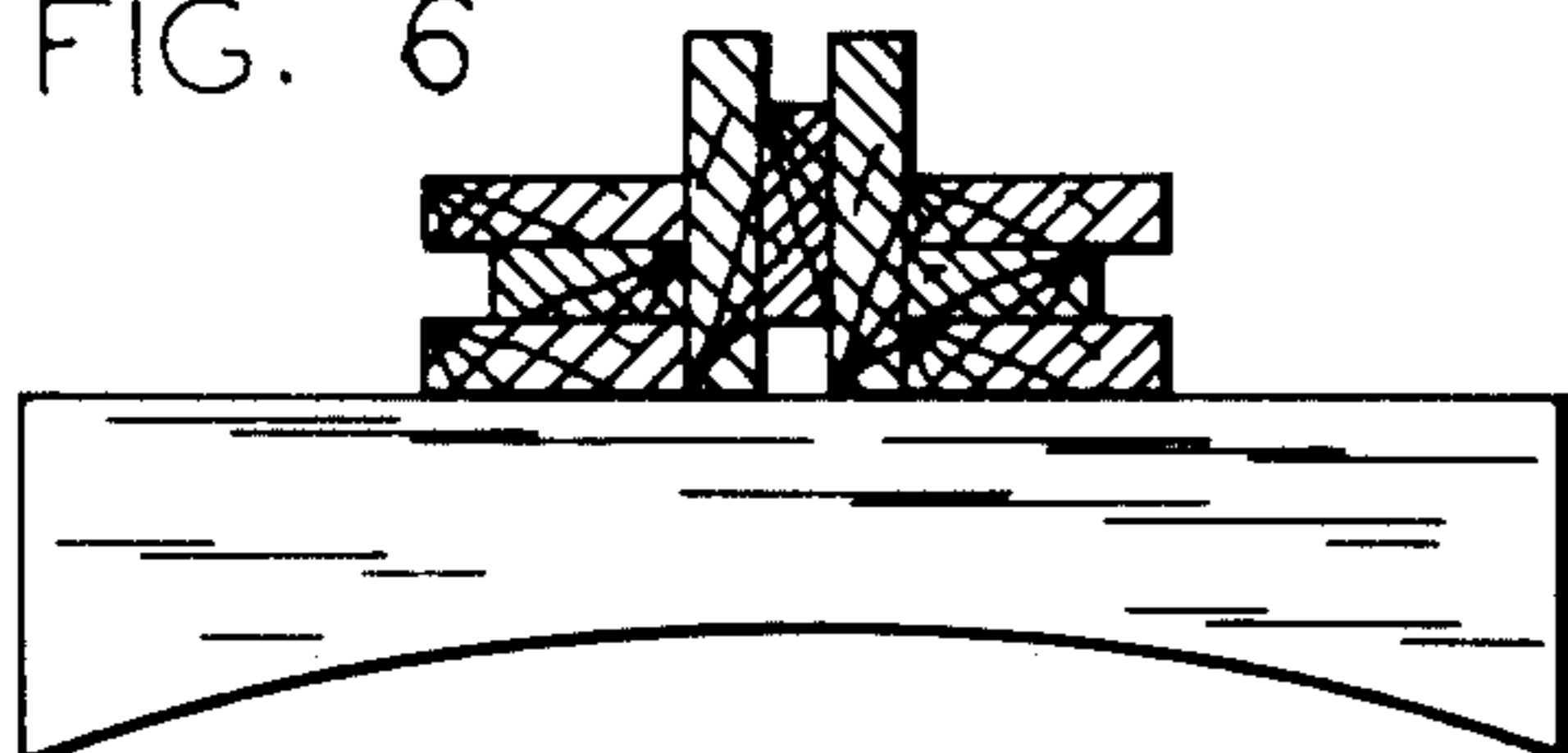


FIG. 8

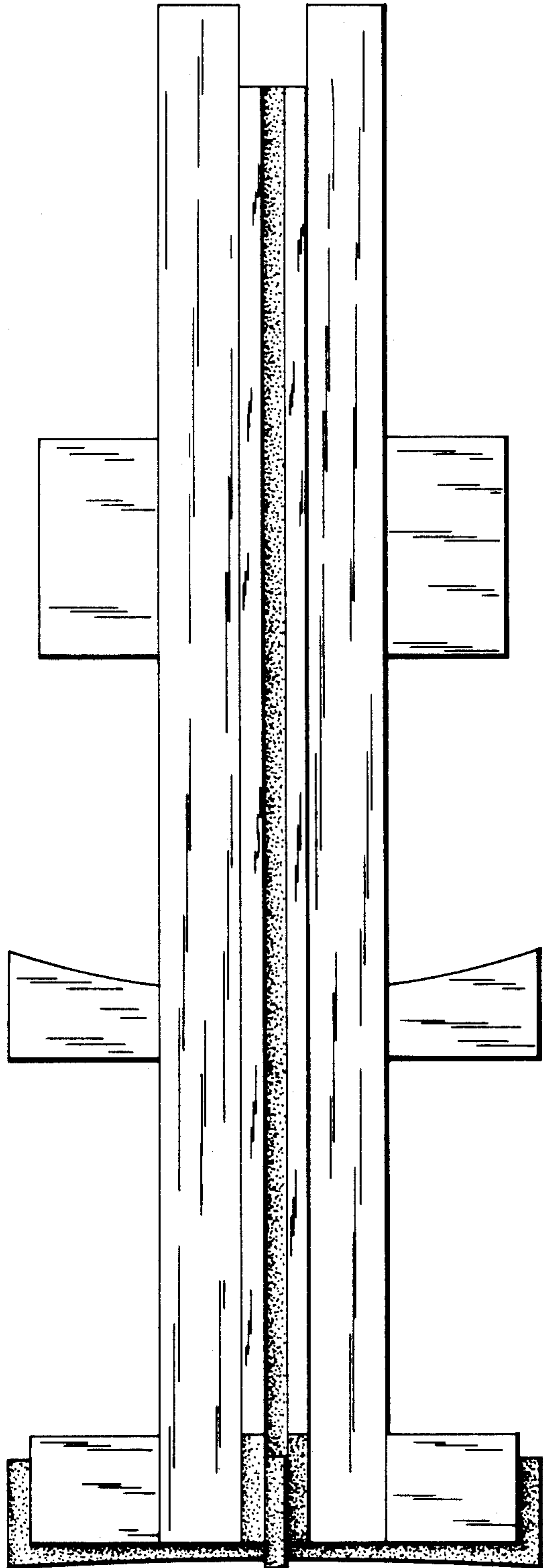


FIG. 9

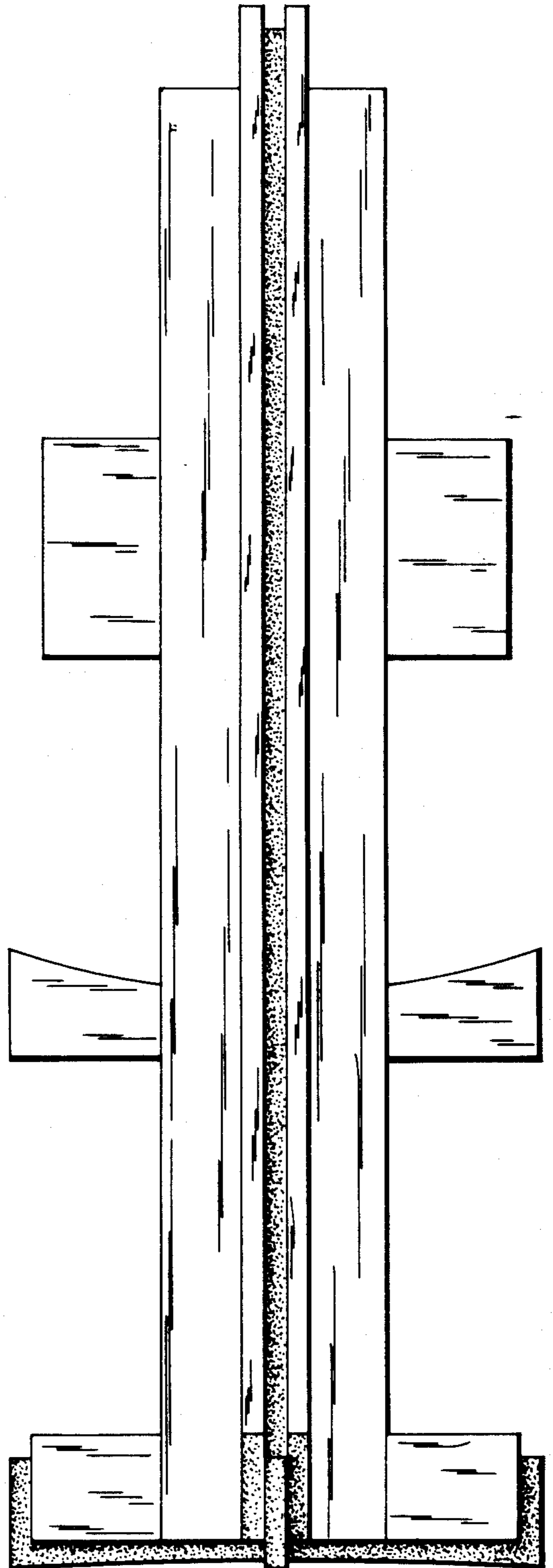


FIG. 10

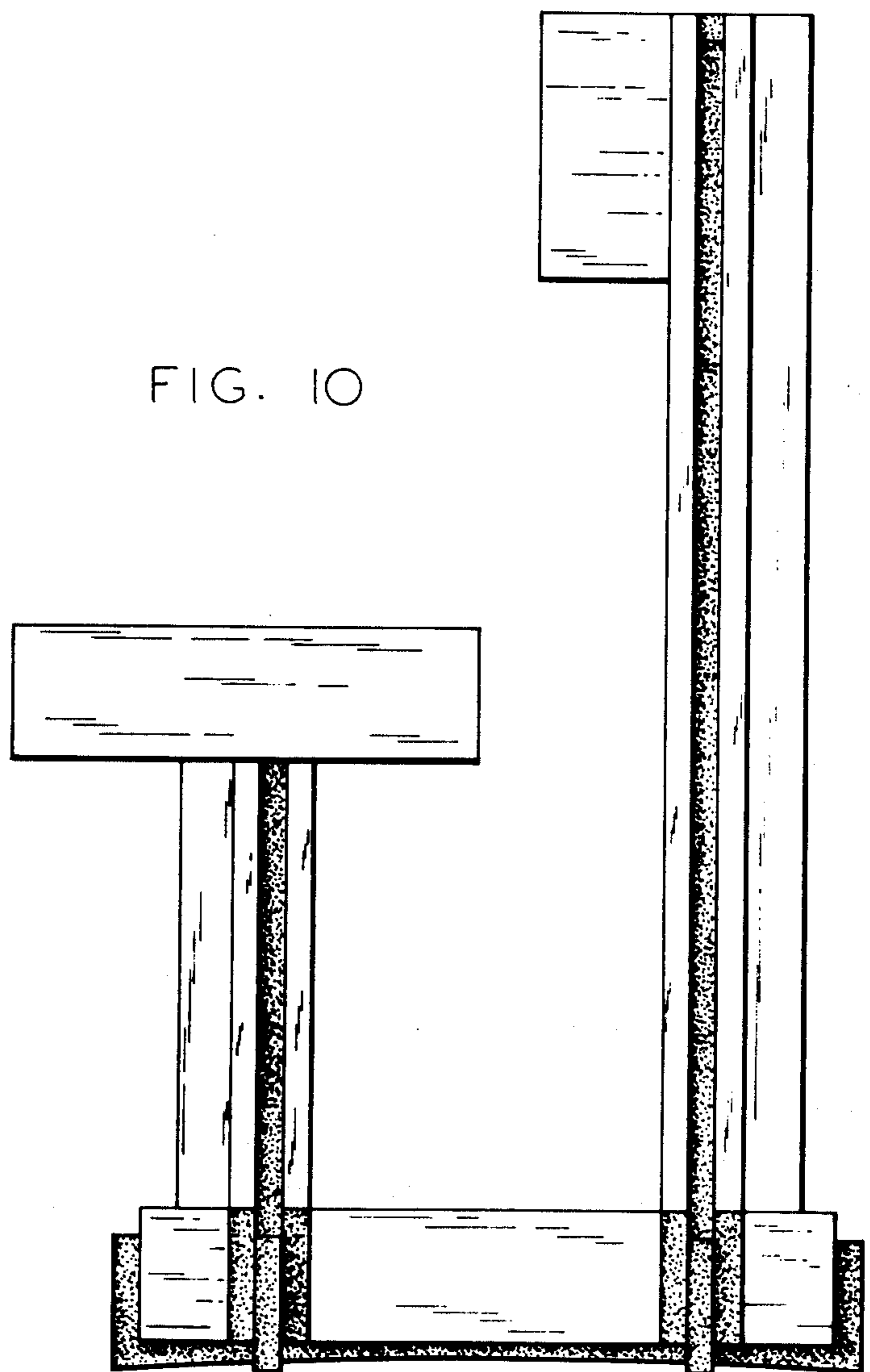


FIG. II

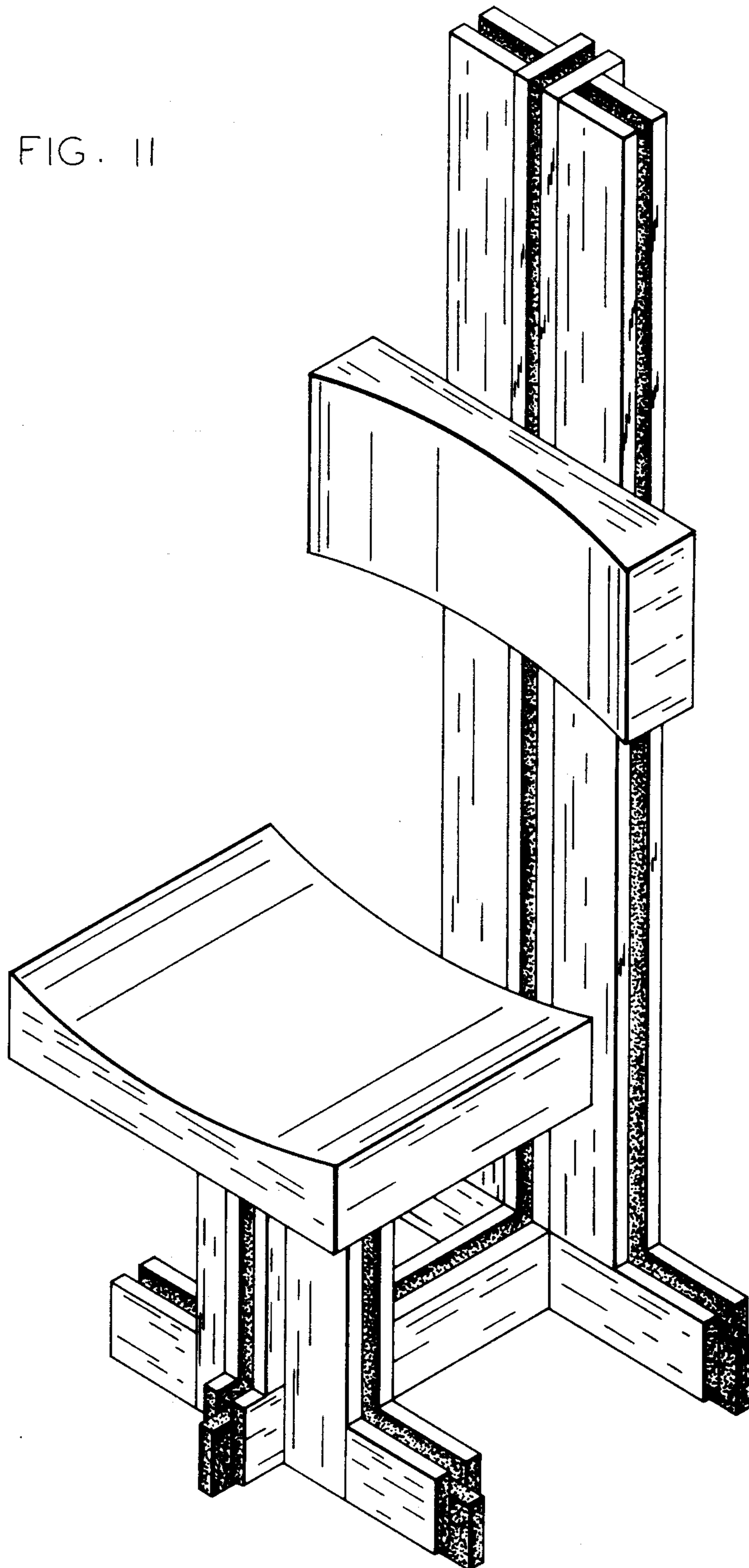


FIG. 12

