

[54] MICROFICHE READER

[76] Inventor: Peter J. Hall, 274 Burton Ave.,  
Barrie, Ontario, Canada, L4N 2S2

[\*\*] Term: 14 Years

[21] Appl. No.: 725,652

[22] Filed: Sep. 22, 1976

[51] Int. Cl. .... D16-03

[52] U.S. Cl. .... D16/14

[58] Field of Search ..... D16/14, 28; 353/22,  
353/25, 26, 27, 74, 75, 79, 119; 40/361-367

[56] References Cited

U.S. PATENT DOCUMENTS

- D. 217,192 4/1970 Zemblowski ..... D16/14
- D. 240,161 6/1976 Hall ..... D16/14
- 3,533,689 10/1970 Smith et al. .... D16/14 X

- 3,692,399 9/1972 Stewart ..... D16/14 X
- 3,997,258 12/1976 Omi ..... 353/27 R X

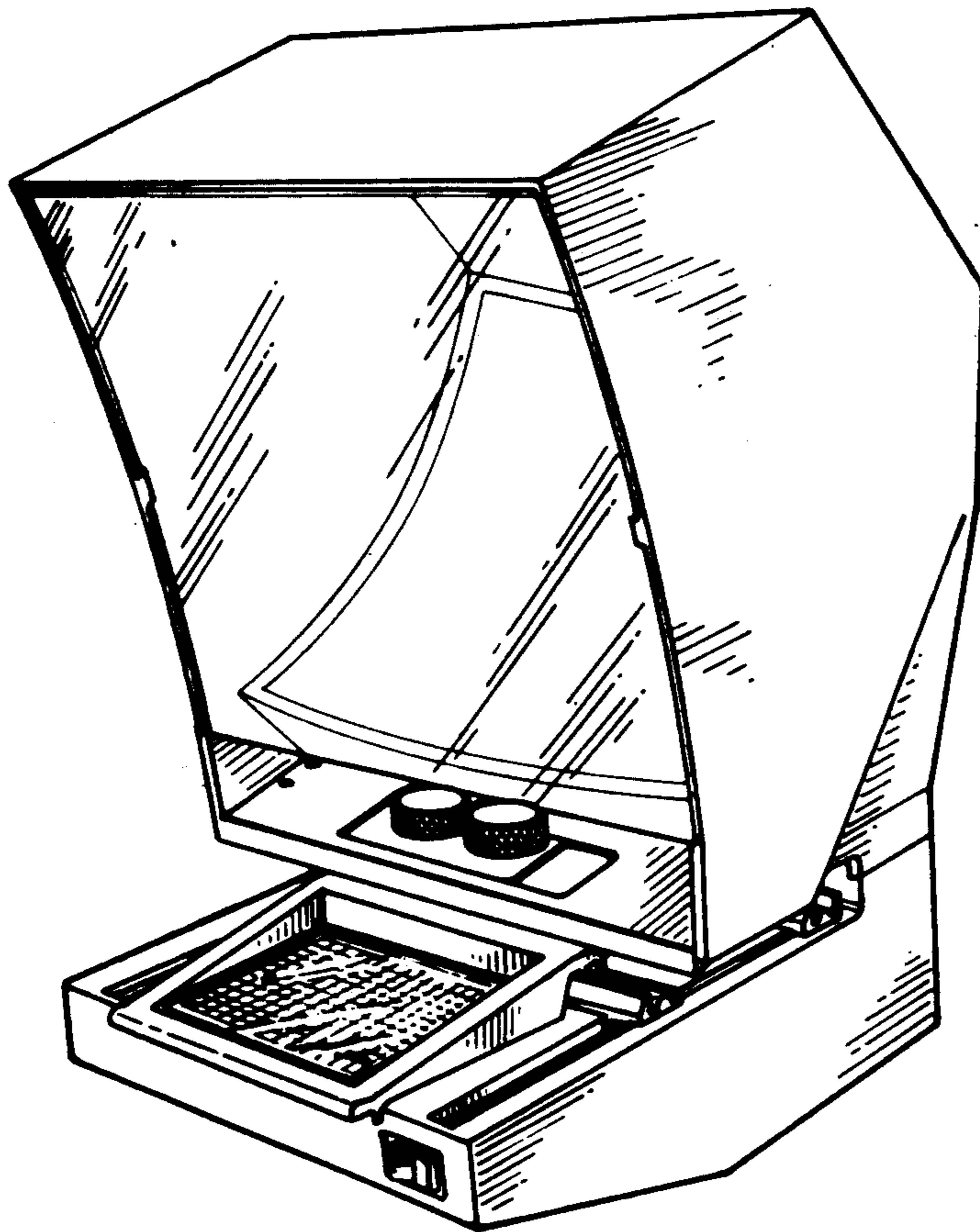
Primary Examiner—Wallace R. Burke  
Assistant Examiner—Catherine Kemper  
Attorney, Agent, or Firm—Gordon W. Hodson

[57] CLAIM

The ornamental design for a microfiche reader, as shown and described.

DESCRIPTION

FIG. 1 is a front perspective view of a microfiche reader, showing my new design;  
FIG. 2 is a bottom rear perspective view thereof;  
FIG. 3 is a side elevational view thereof;  
FIG. 4 is a top rear perspective view thereof.  
The conventional electrical cord has been shown fragmentarily in FIGS. 2, 3, and 4 for convenience of illustration.



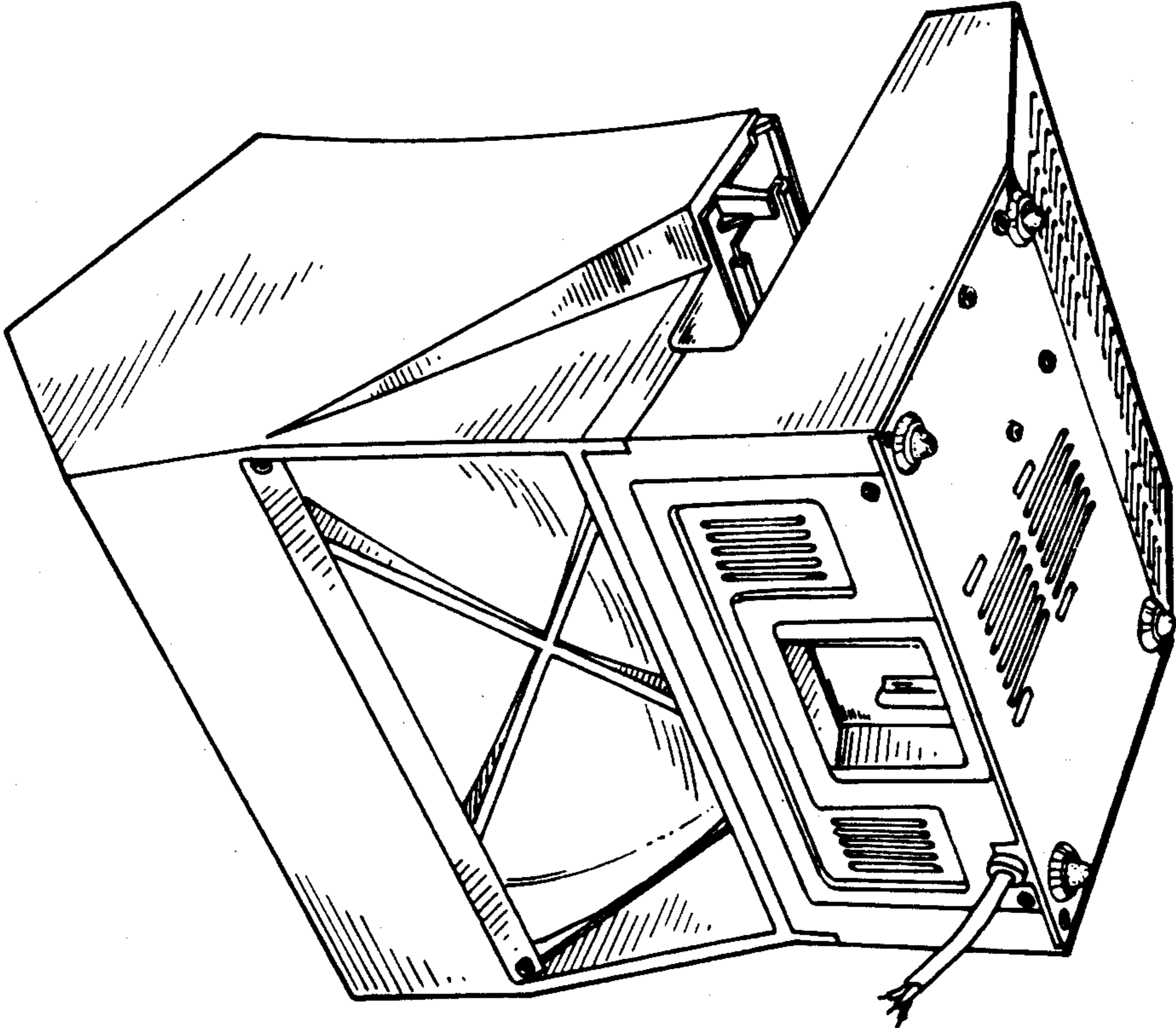


FIG. 2

1

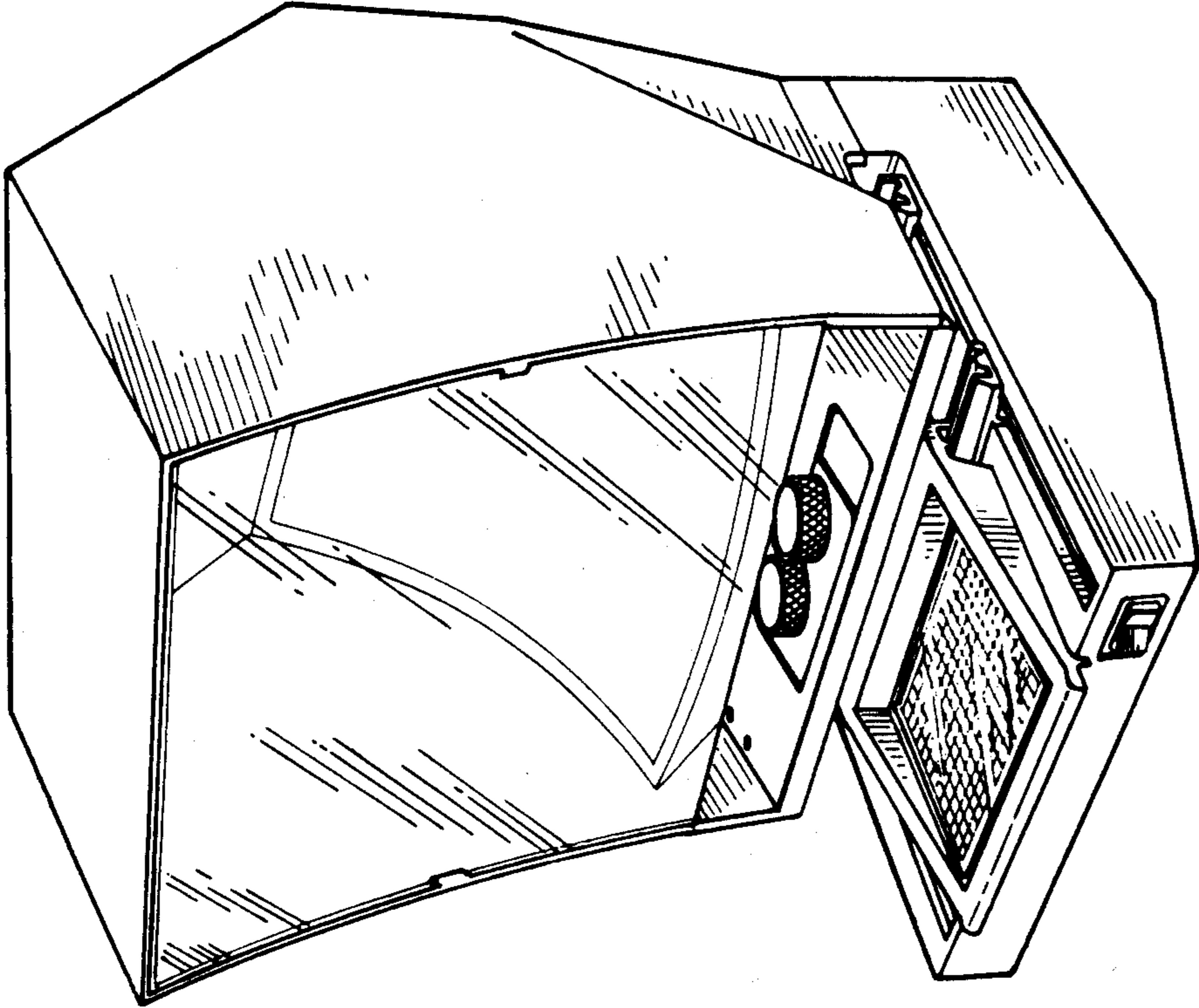


FIG. 1

FIG. 3

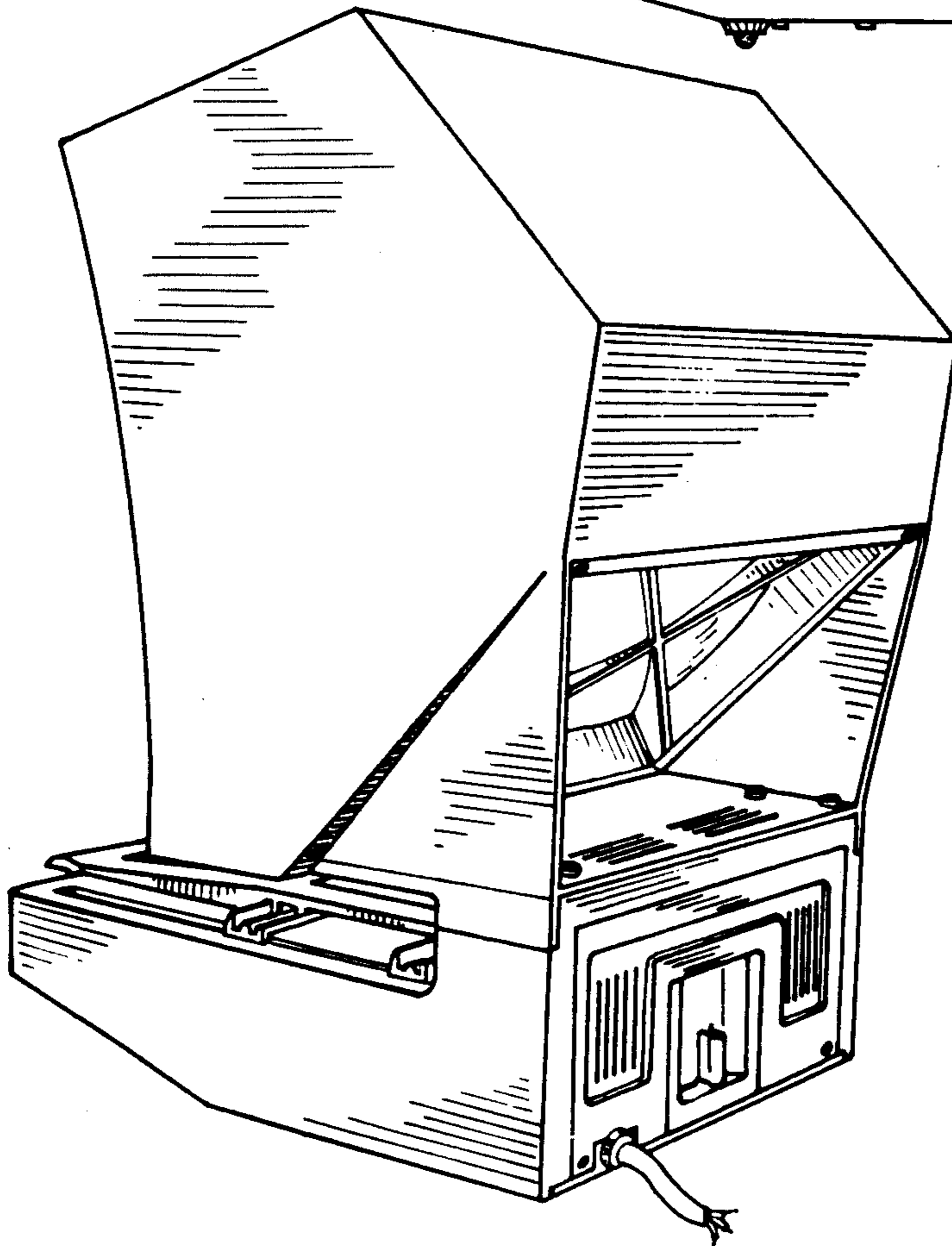
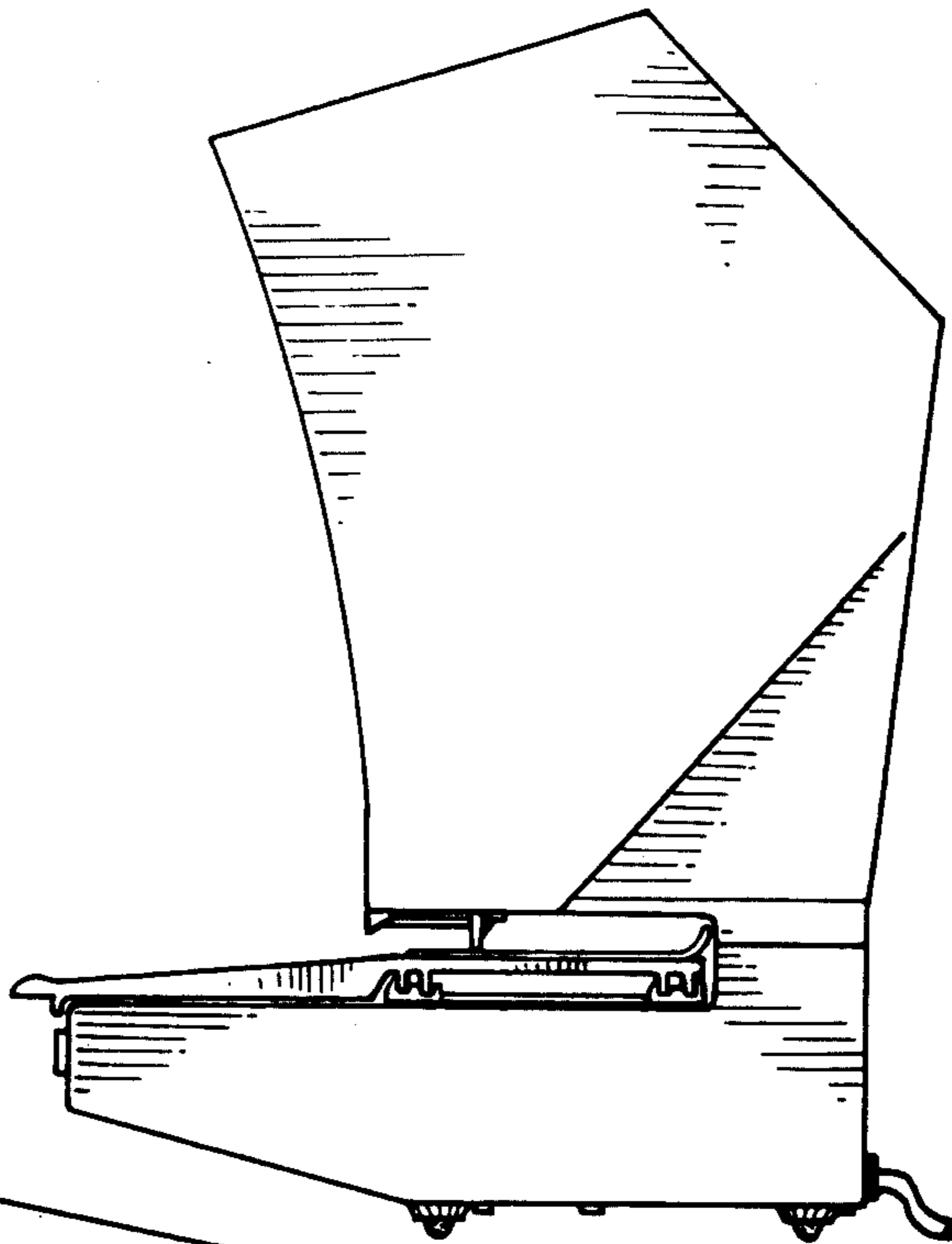


FIG. 4