

[54] PAINT BRUSH

[76] Inventor: Francis L. Love, 7010 Reynoldsburg-New Albany Rd., New Albany, Ohio 43054

[\*\*] Term: 14 Years

[21] Appl. No.: 801,295

[22] Filed: May 27, 1977

[51] Int. Cl. .... D4-04  
[52] U.S. Cl. .... D4/38  
[58] Field of Search ..... D4/38; 15/159 R, 159 A, 15/160, 111, 117

[56]

References Cited

U.S. PATENT DOCUMENTS

D. 212,583	11/1968	Stewart et al. ....	D4/38
2,043,758	6/1936	Lay .....	15/159 R
3,094,728	6/1963	White .....	15/111
3,204,278	9/1965	Lambros .....	15/187 X

Primary Examiner—Wallace R. Burke  
Assistant Examiner—Catherine Kemper  
Attorney, Agent, or Firm—William S. Rambo

[57]

CLAIM

The ornamental design for a paint brush, substantially as shown.

DESCRIPTION

FIG. 1 is a perspective view of a paint brush showing my new design;  
FIG. 2 is a top plan view thereof;  
FIG. 3 is a side elevational view thereof; and  
FIG. 4 is an end elevational view thereof.

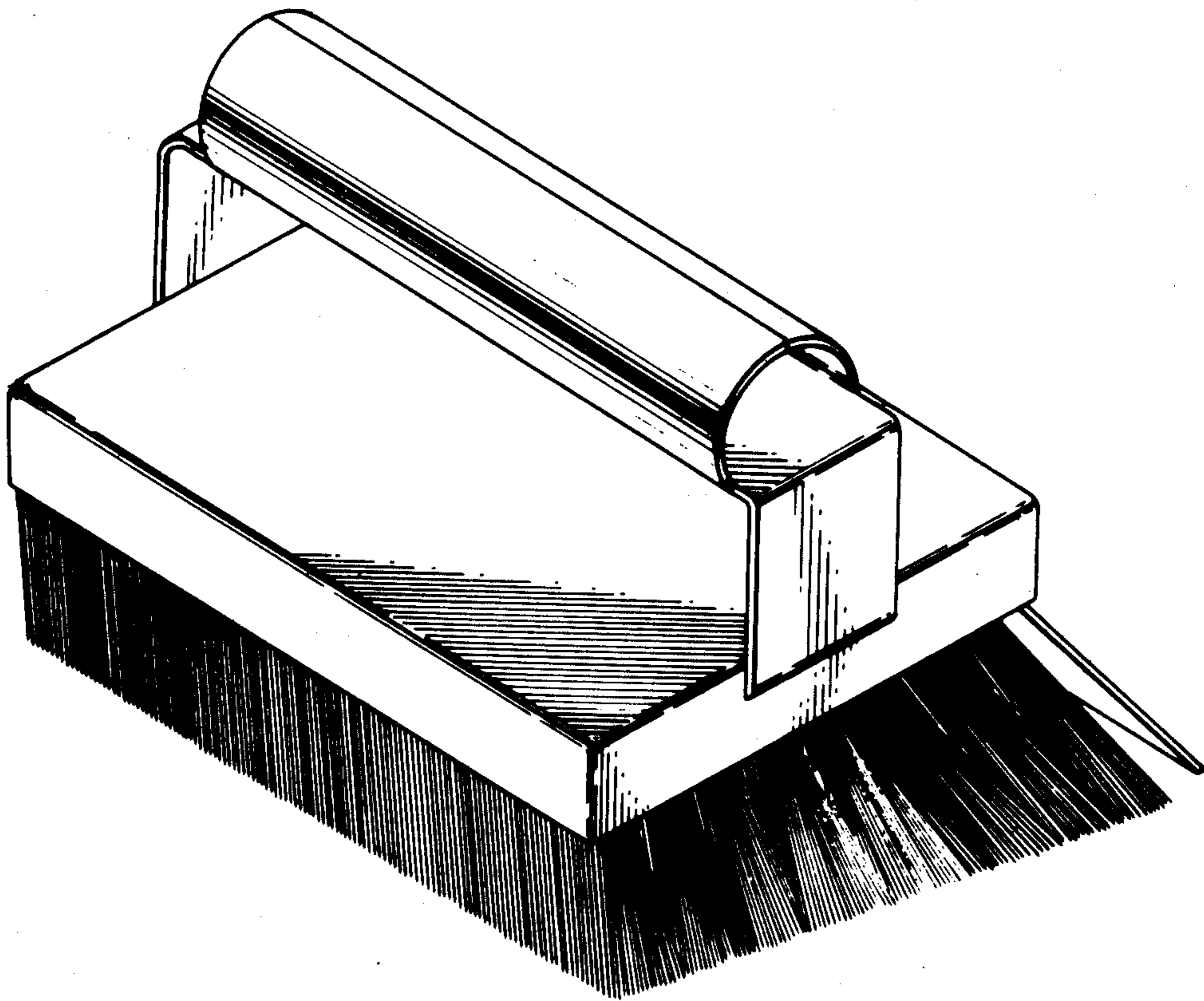


FIG. 1.

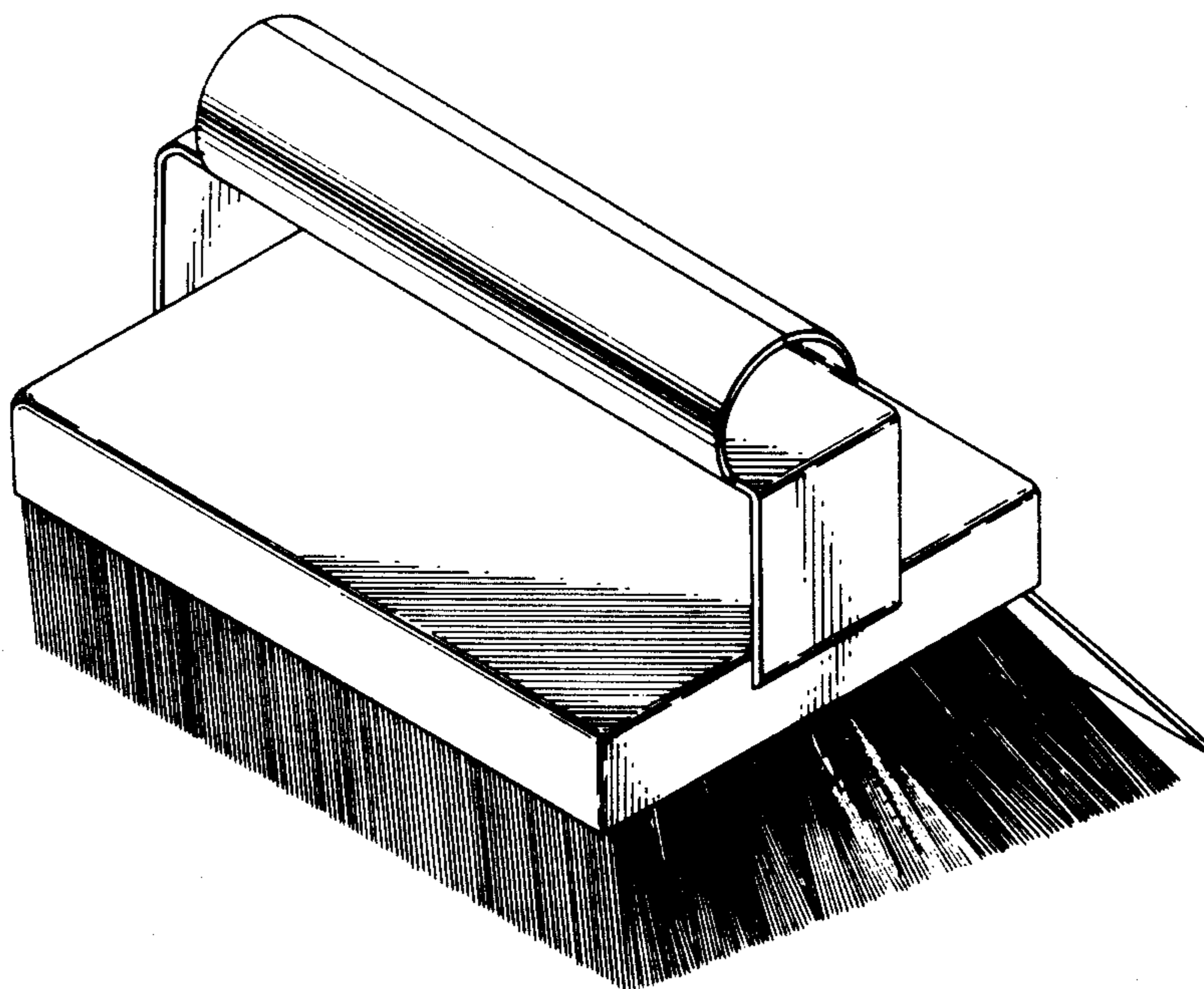


FIG. 2.

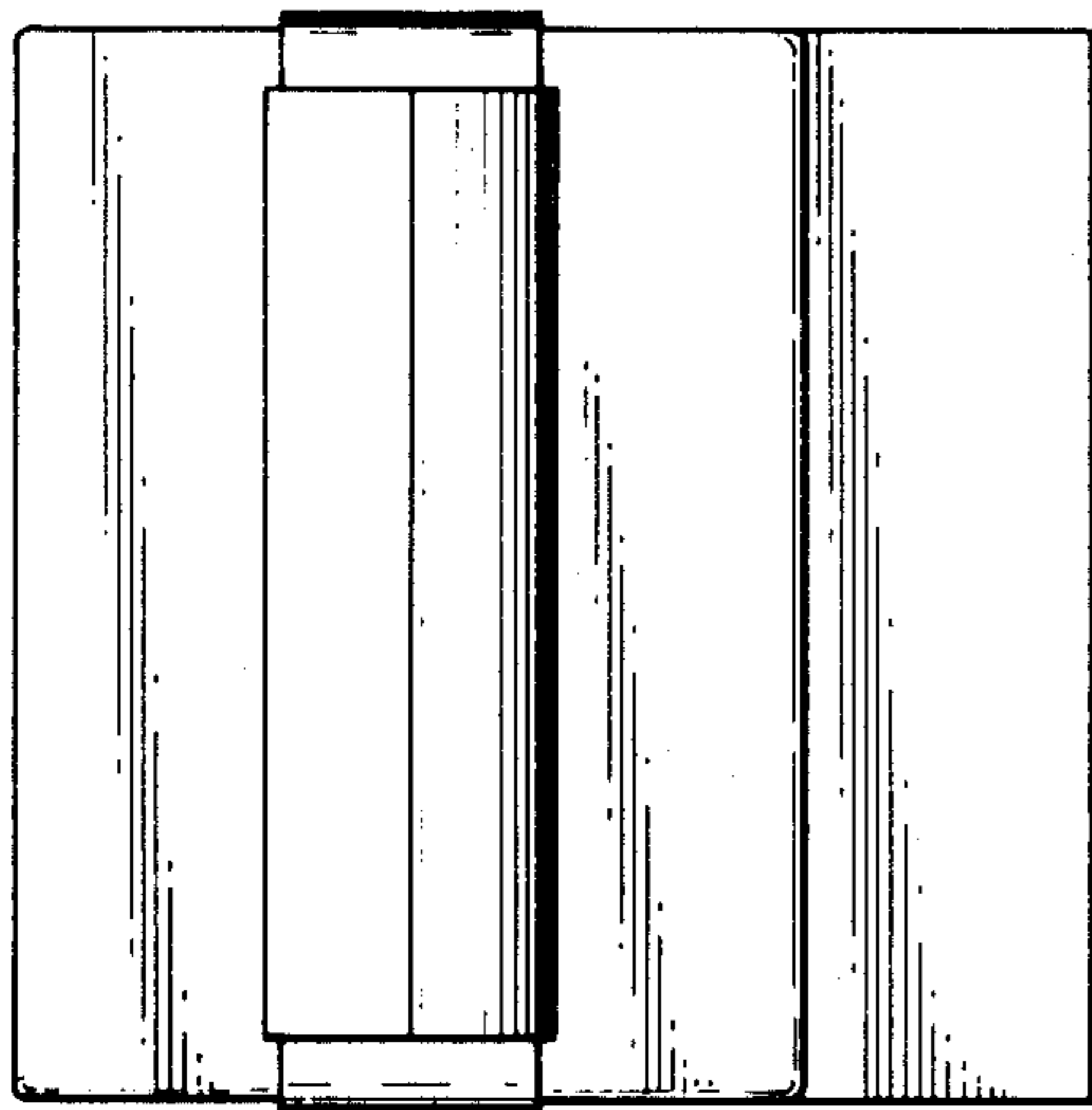


FIG. 3.

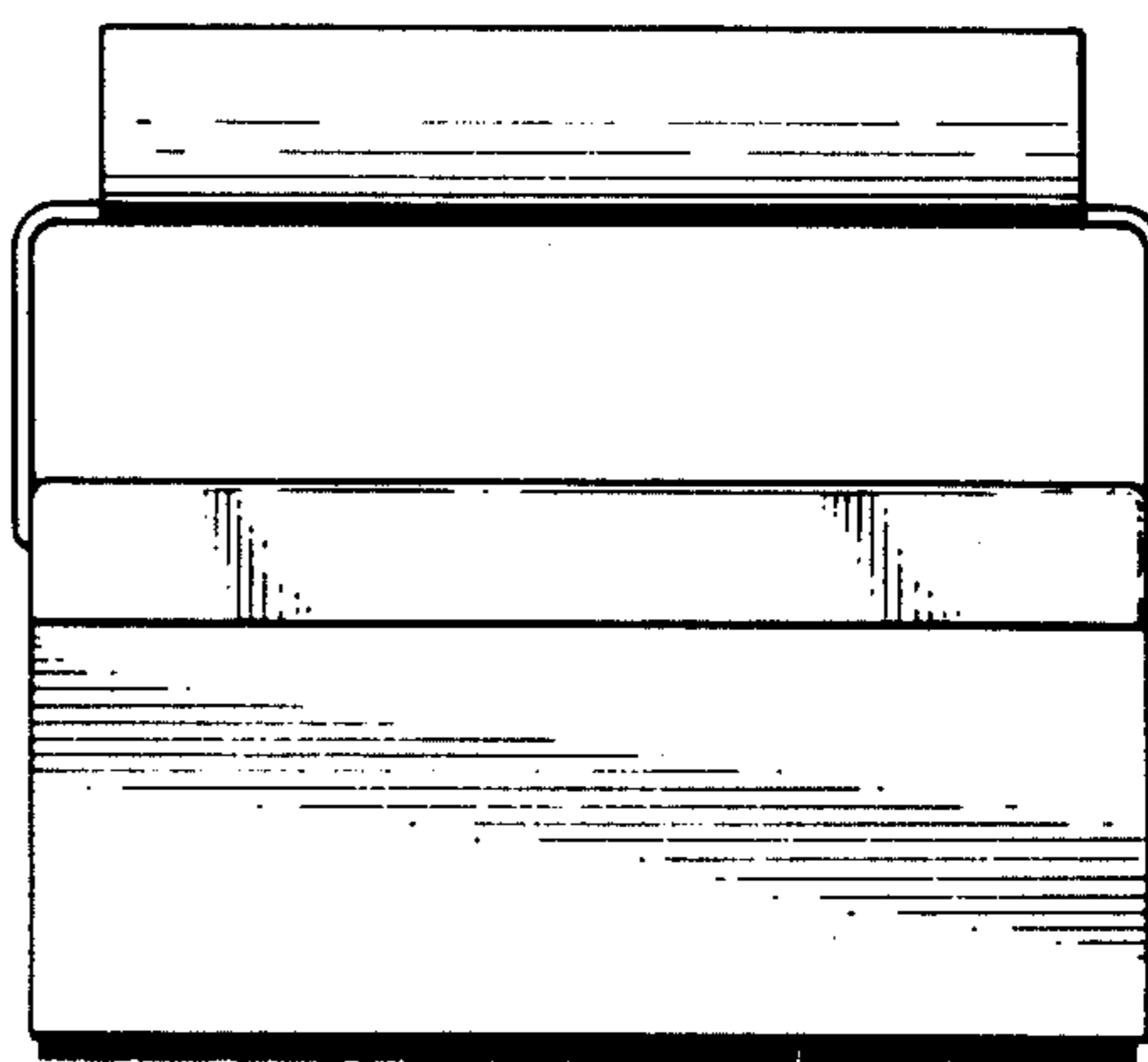


FIG. 4.

