

[54] TROUBLE LIGHT HANDLE

[75] Inventor: **Raymond L. Trueblood**, New Carlisle, Ohio

[73] Assignee: **Trueblood, Inc.**, Tipp City, Ohio

[**] Term: **14 Years**

[21] Appl. No.: **794,634**

[22] Filed: **May 6, 1977**

[51] Int. Cl. **D26-02**

[52] U.S. Cl. **D48/24 R**

[58] Field of Search **362/326-361, 362/376, 378, 158, 161, 164, 183, 184, 187, 188, 189, 190, 191, 194, 196, 258; D48/16 B, 24 R, 20 E, 24 A, 4 A, 7 B**

[56] **References Cited**
U.S. PATENT DOCUMENTS

3,809,883 5/1974 Goodwin 362/376 X

3,835,311 9/1974 Kramer 362/376

OTHER PUBLICATIONS

Lacey Webber Co. Advertisement, 1949, Bat Lamp.
Primary Examiner—Susan J. Lucas
Attorney, Agent, or Firm—Jerome P. Bloom

[57] CLAIM

The ornamental design for trouble light handle, substantially as shown and described.

DESCRIPTION

FIG. 1 is a perspective view of a trouble light handle showing my new design;

FIG. 2 is a front elevational view thereof;

FIG. 3 is a side elevational view;

FIG. 4 is a top end view;

FIG. 5 is a bottom end view;

FIG. 6 is a perspective view of a second embodiment of my design;

FIG. 7 is a front view of the handle shown in FIG. 6;

FIG. 8 is a side view of the handle shown in FIG. 6;

FIG. 9 is a top end view of the handle shown in FIG. 6; and

FIG. 10 is a bottom end view of the handle shown in FIG. 6.

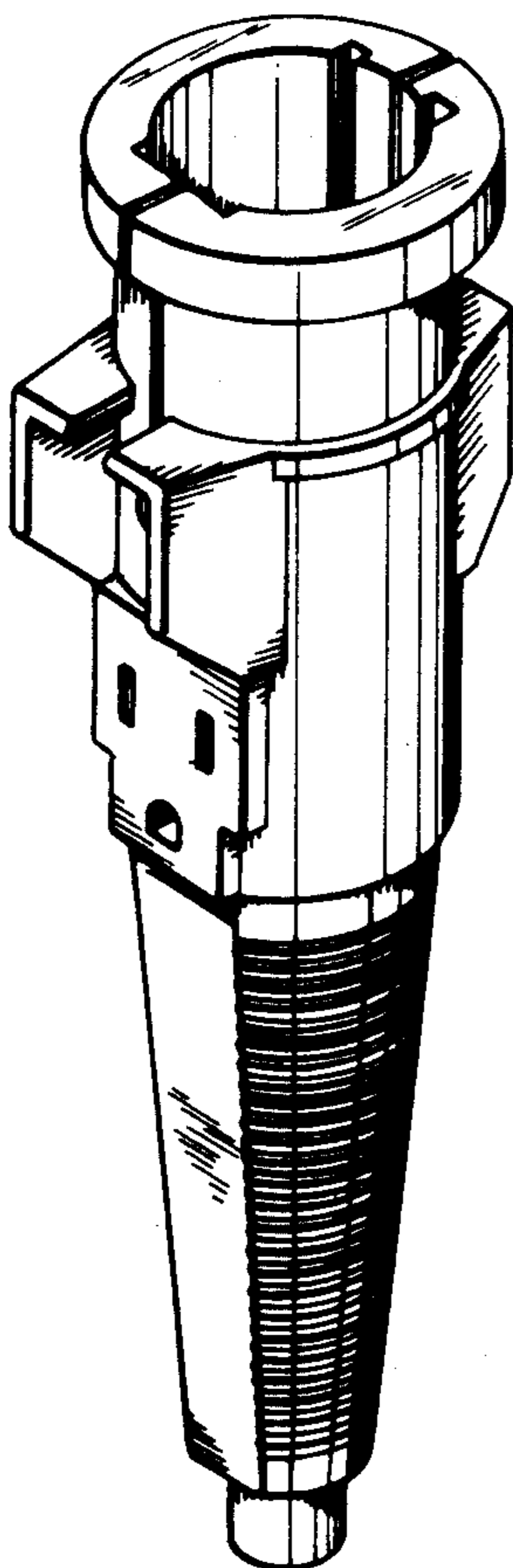


FIG-1

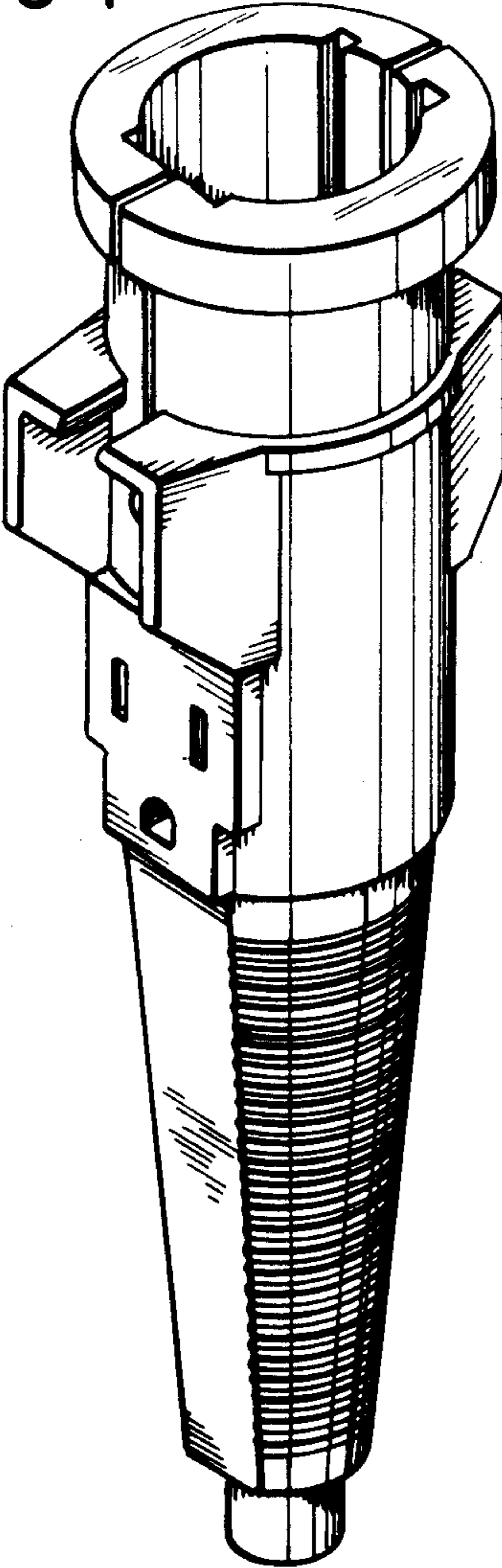


FIG-2

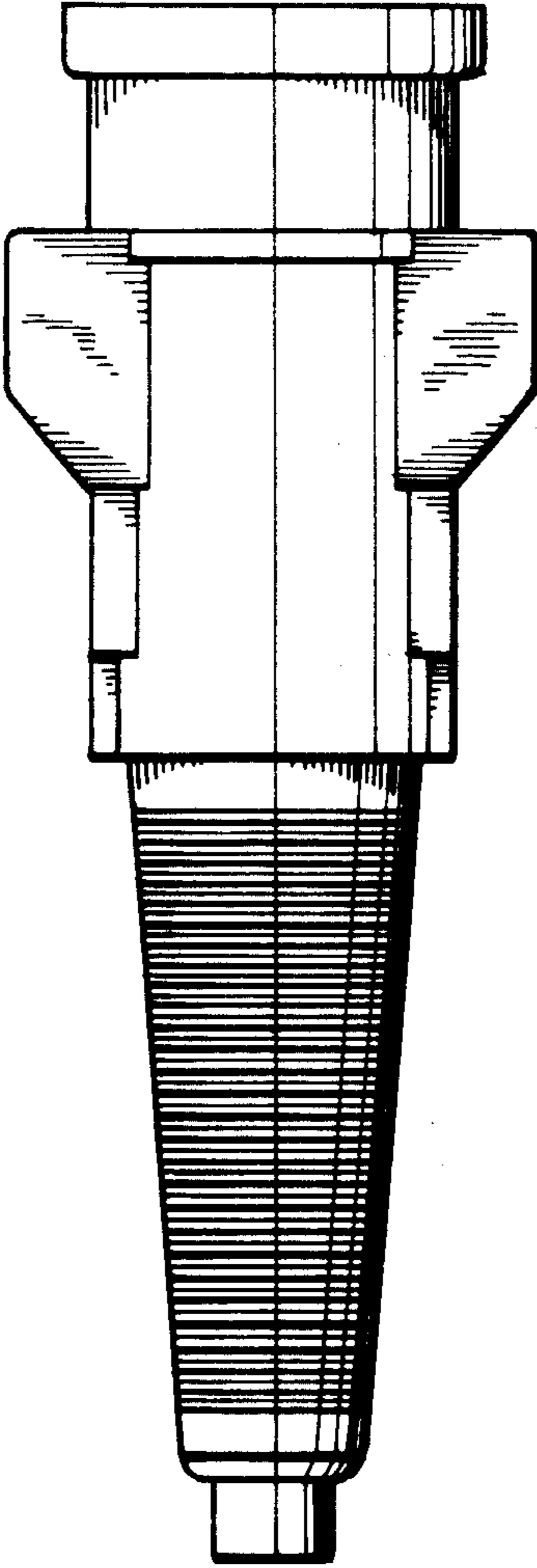


FIG-3

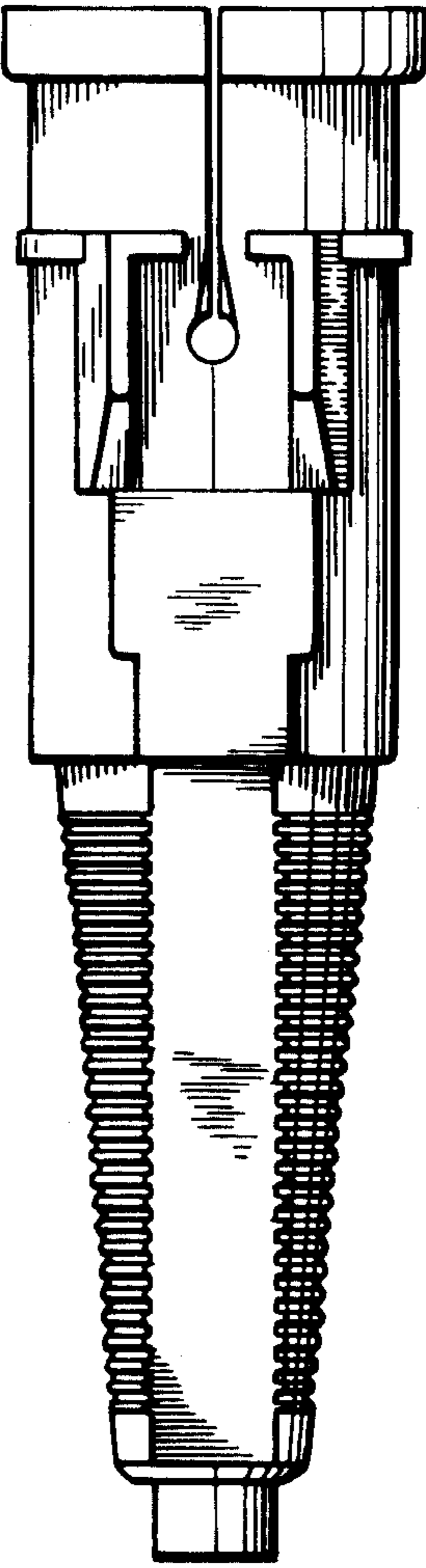


FIG-4

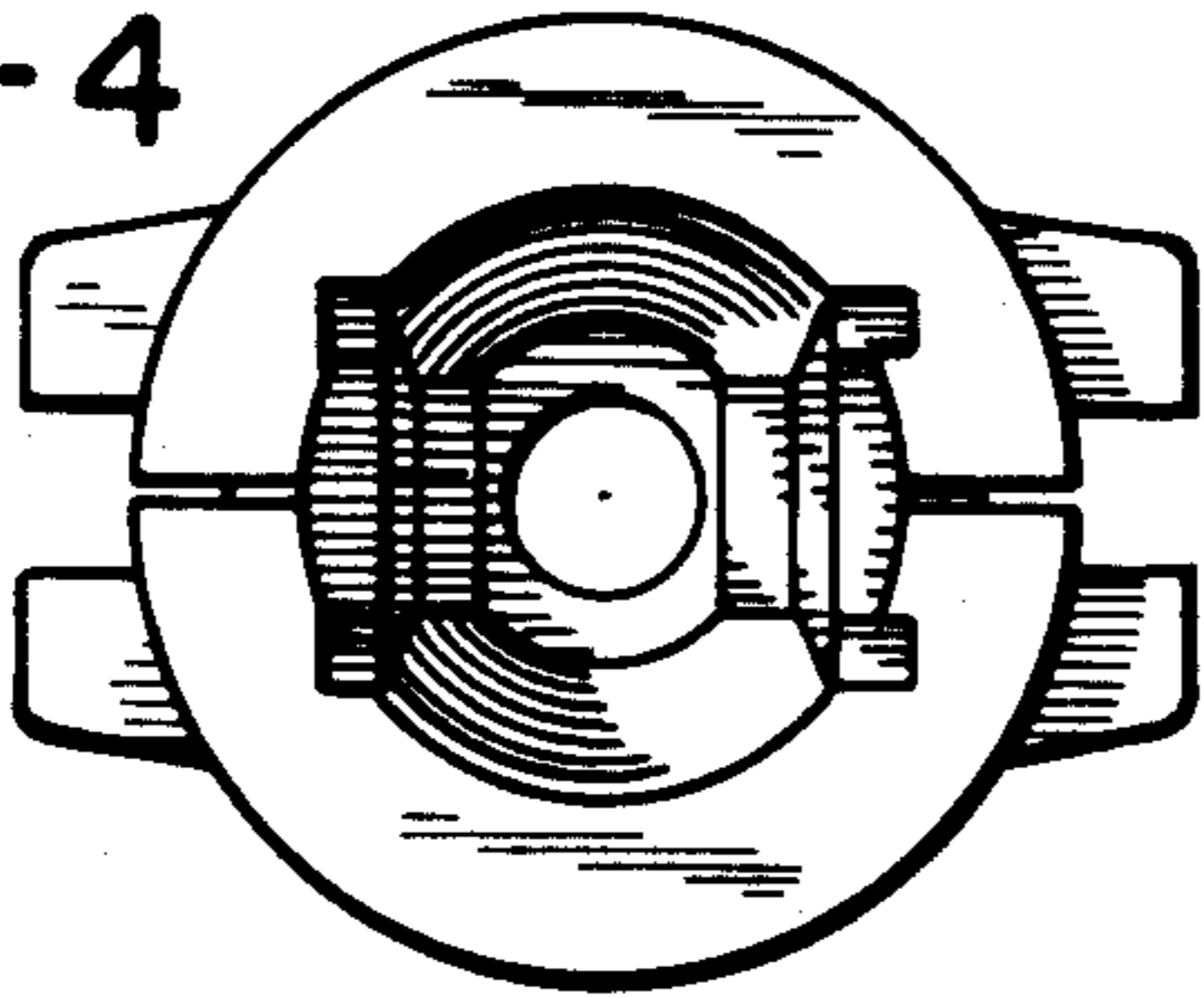


FIG-5

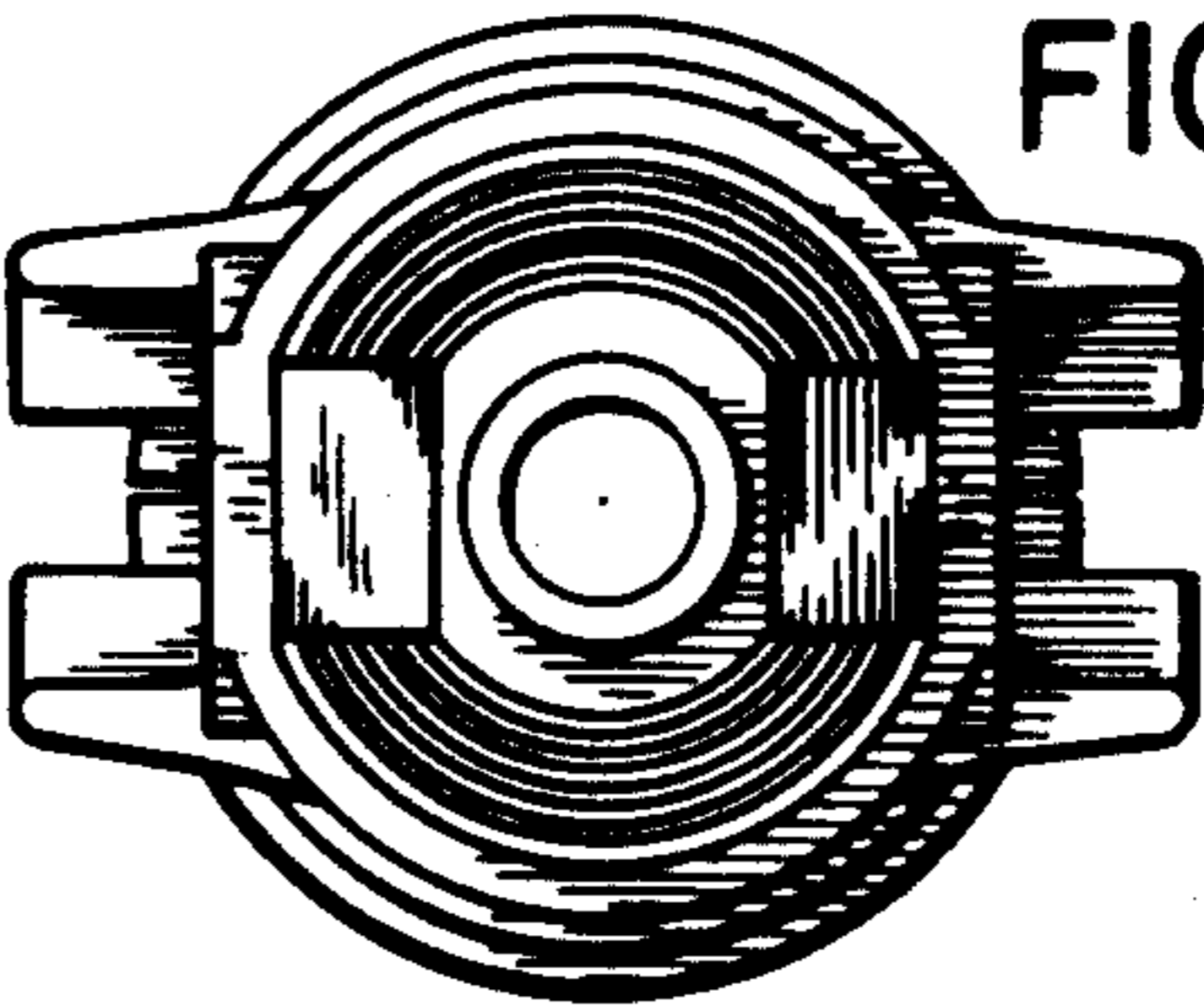


FIG-6

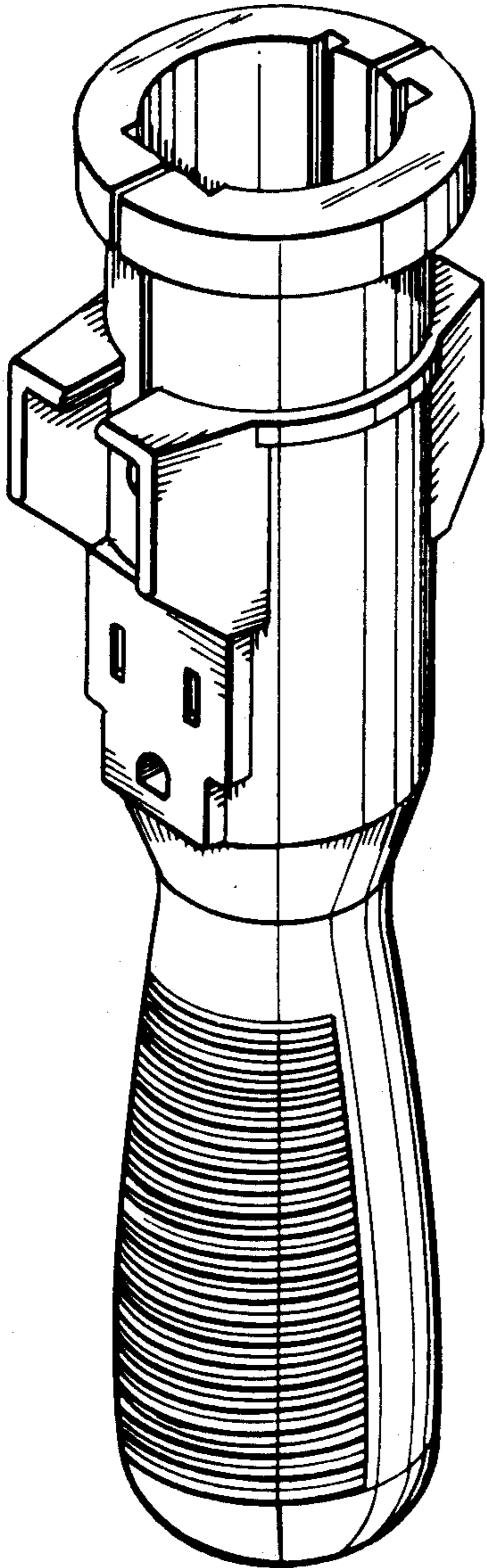


FIG-7

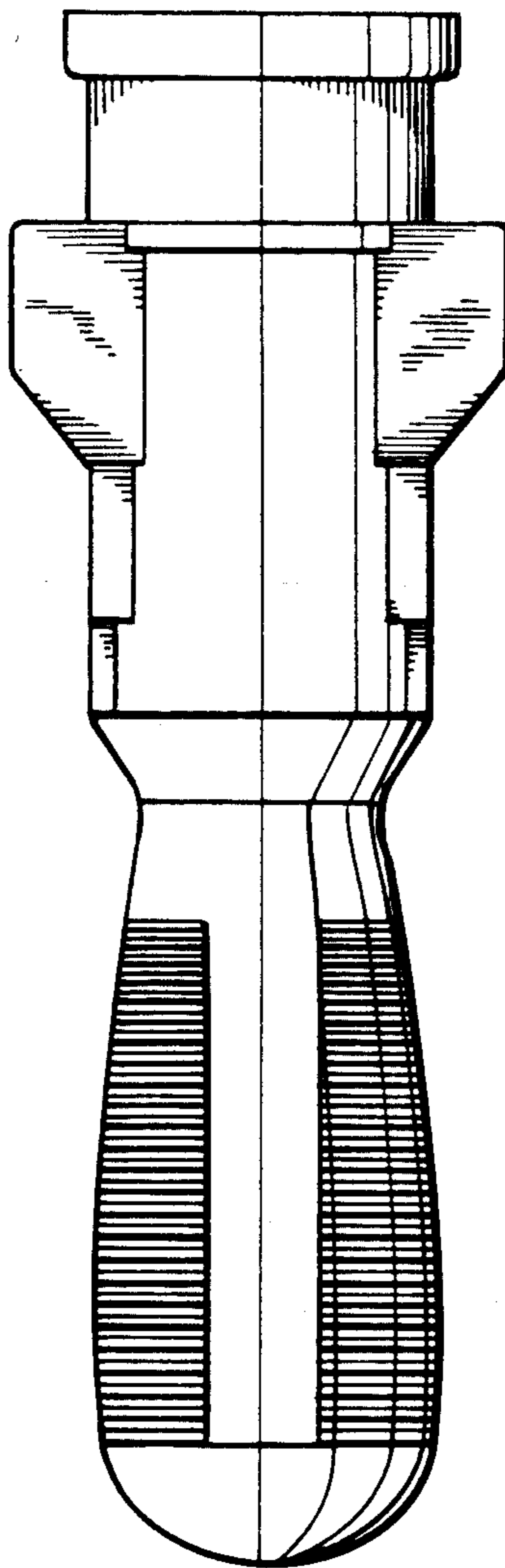


FIG-8

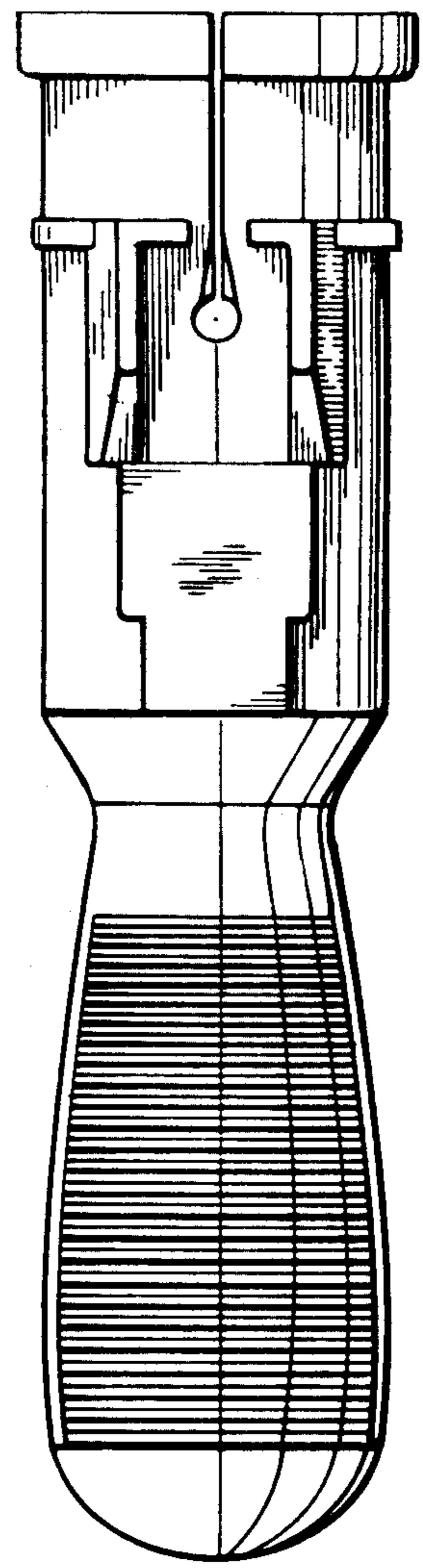


FIG-9

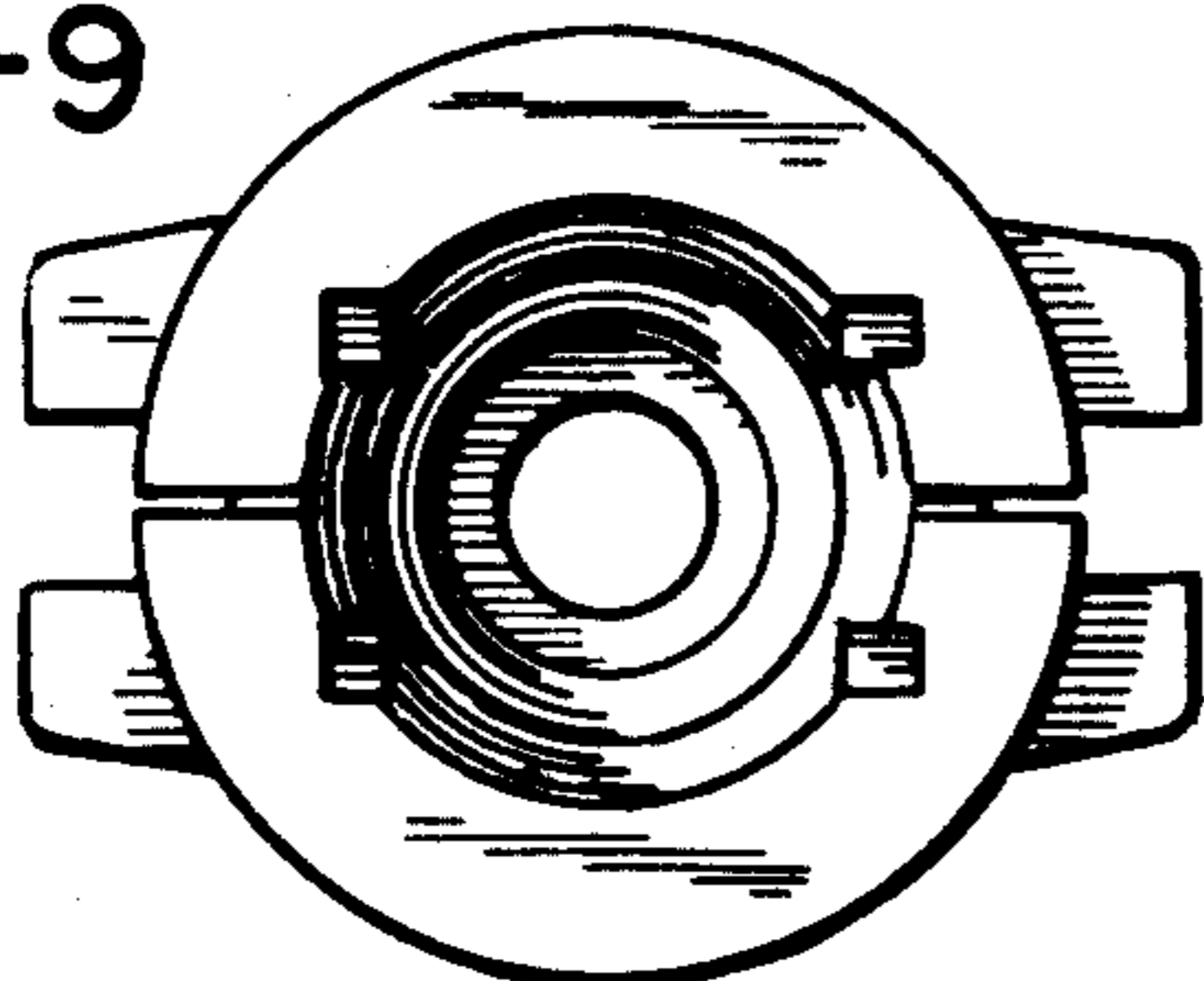


FIG-10

