

[54] TOY VEHICLE

D. 243,267 1/1977 Breneman D34/15 AJ

[75] Inventor: Iwakichi Ogawa, Kashiwa, Japan

[73] Assignee: Takara Co., Ltd.

[**] Term: 14 Years

[21] Appl. No.: 899,021

[22] Filed: Apr. 21, 1978

Related U.S. Application Data

[63] Continuation-in-part of Ser. No. 694,131, Jun. 9, 1976, abandoned.

[51] Int. Cl. D21-01

[52] U.S. Cl. D34/15 AJ

[58] Field of Search D34/15 AJ, 15 AN; 272/28 R, 38; 46/201-213, 219

[56] References Cited

U.S. PATENT DOCUMENTS

D. 211,746 7/1968 Genin D34/15 AJ

OTHER PUBLICATIONS

Playthings, 7-1974, p. 53, Loader.
Associated Hobby Mfgs. Pamphlet, 1969, p. 35, Toy Vehicle.
Spiegel 1976 Xmas Catalog, p. 313, Toy Vehicle.

Primary Examiner—Joel Stearman
Assistant Examiner—Rademaker, C. A.
Attorney, Agent, or Firm—Harold L. Jackson

[57] CLAIM

The ornamental design for a toy vehicle, substantially as shown and described.

DESCRIPTION

FIG. 1 is a front perspective view of a toy vehicle showing my new design;
FIG. 2 is a left side elevational view thereof;
FIG. 3 is a top plan view thereof;
FIG. 4 is a bottom plan view thereof;
FIG. 5 is a front elevational view thereof; and,
FIG. 6 is a rear elevational view thereof.

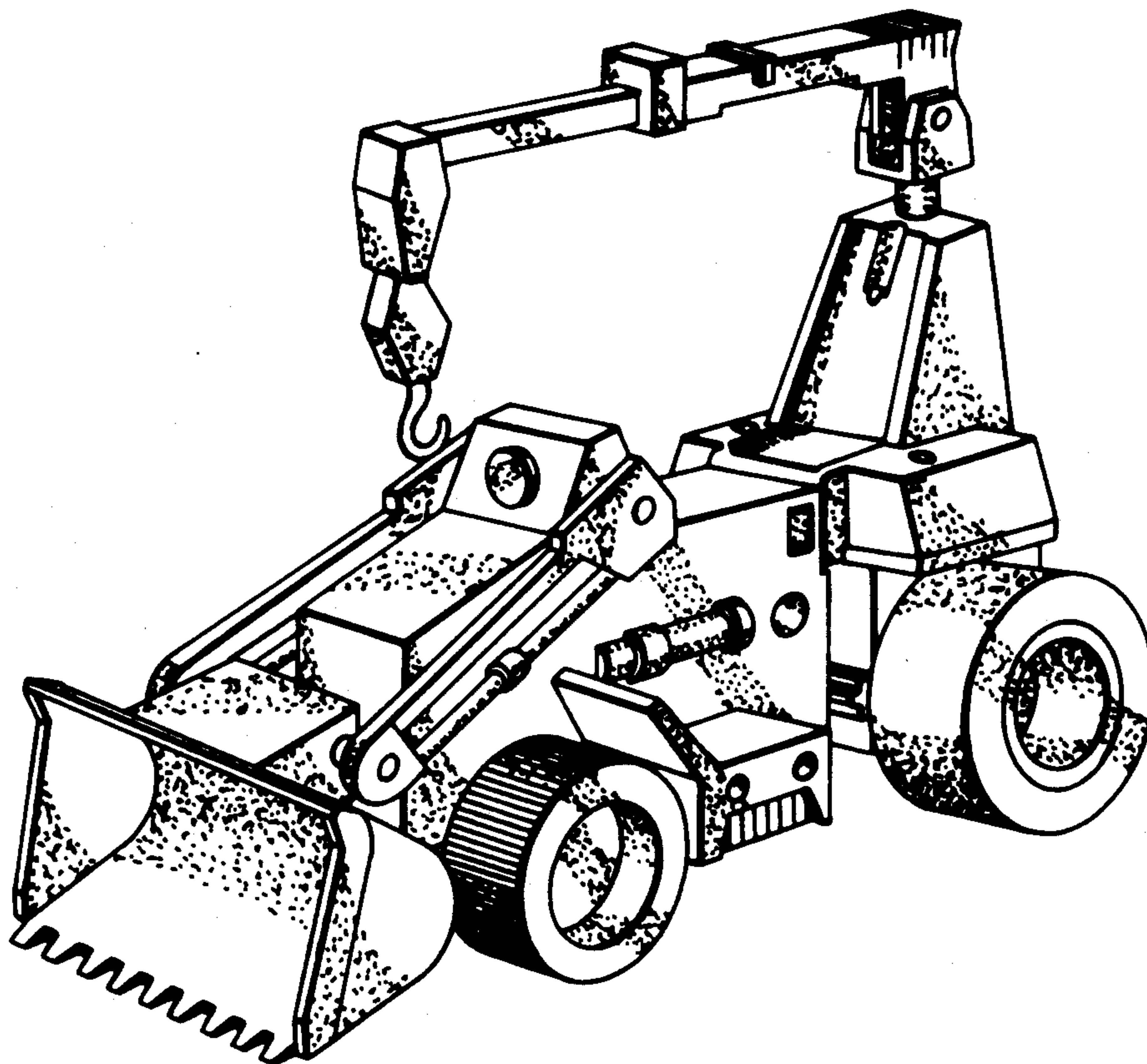


FIG. 1

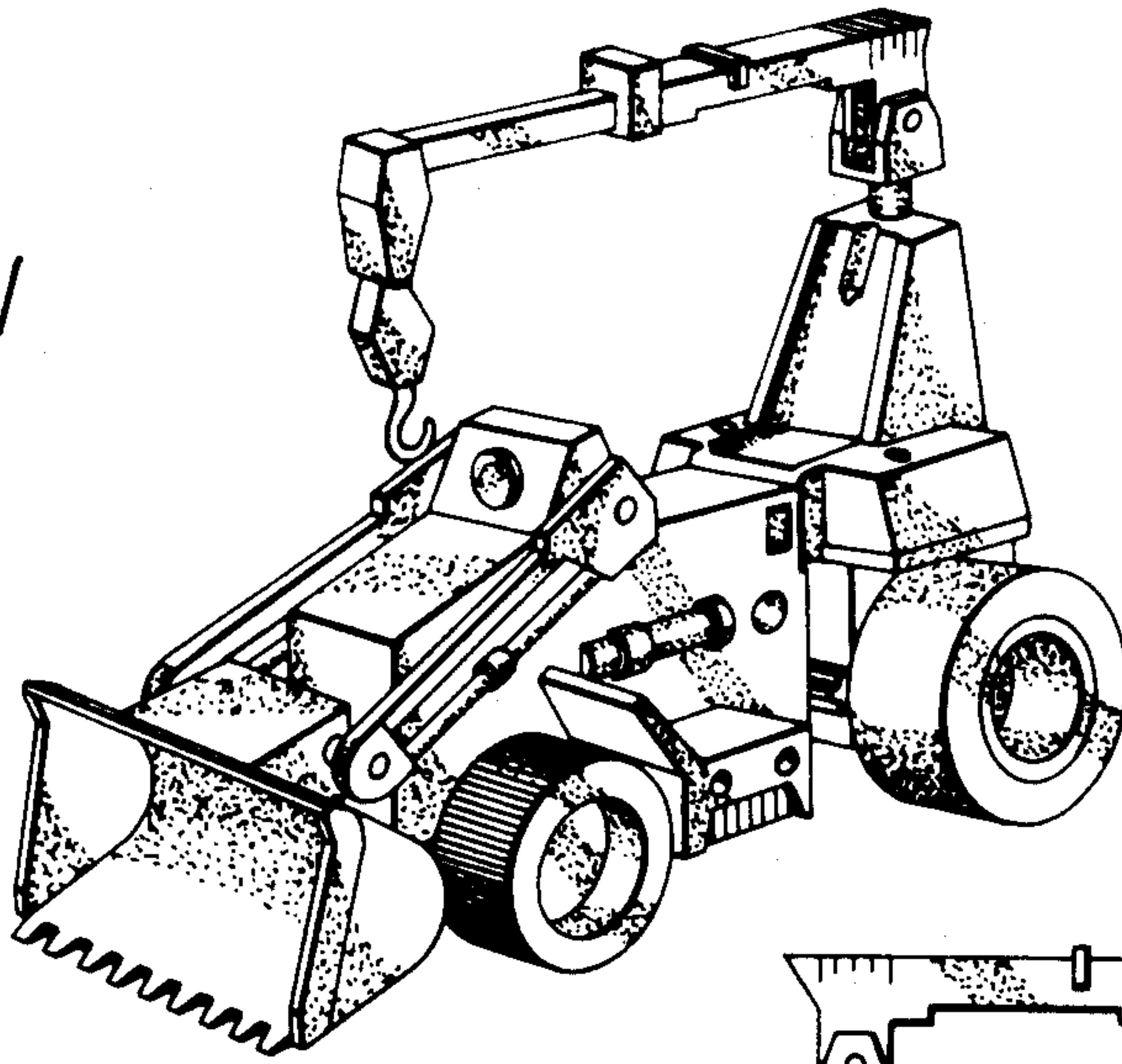


FIG. 2

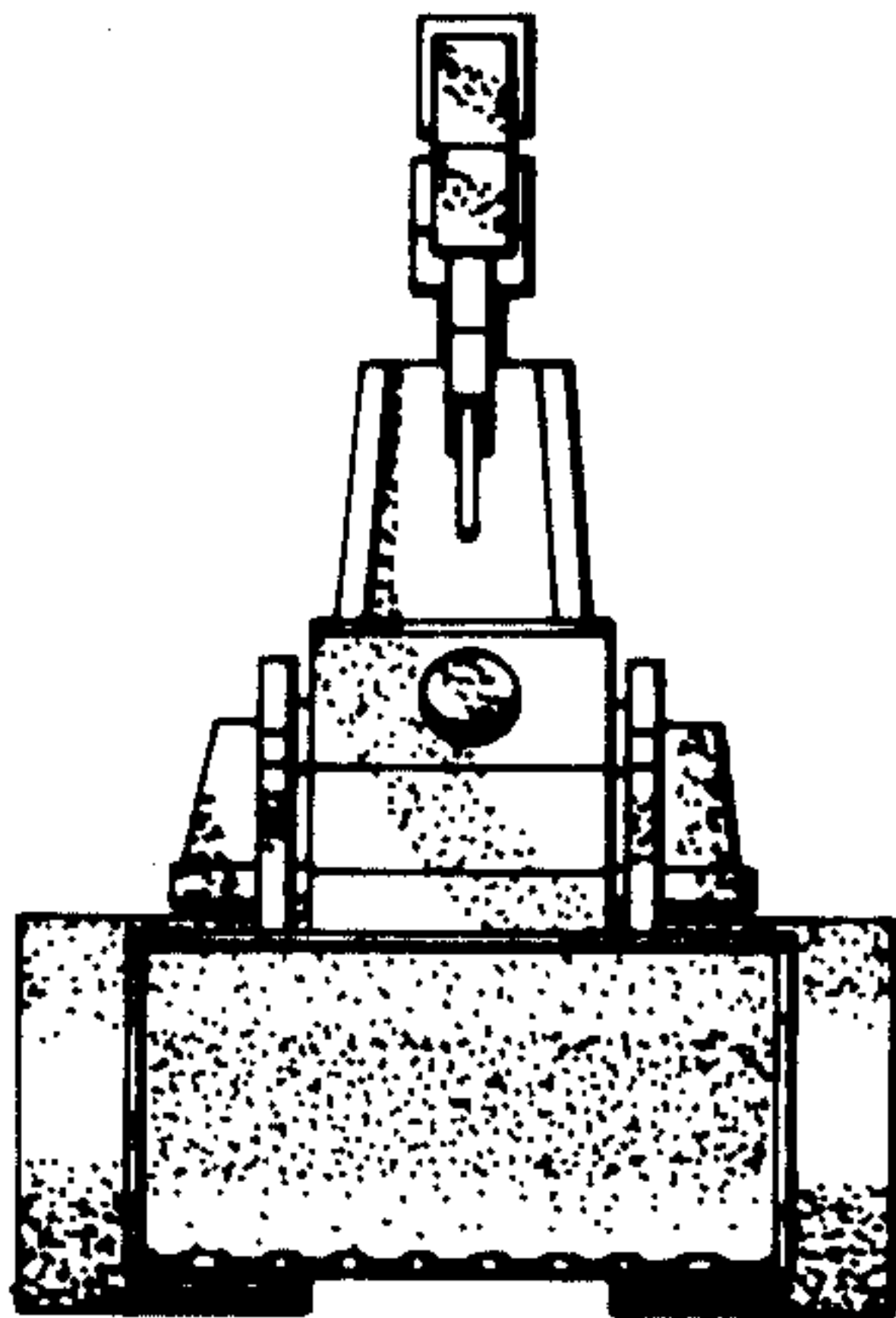
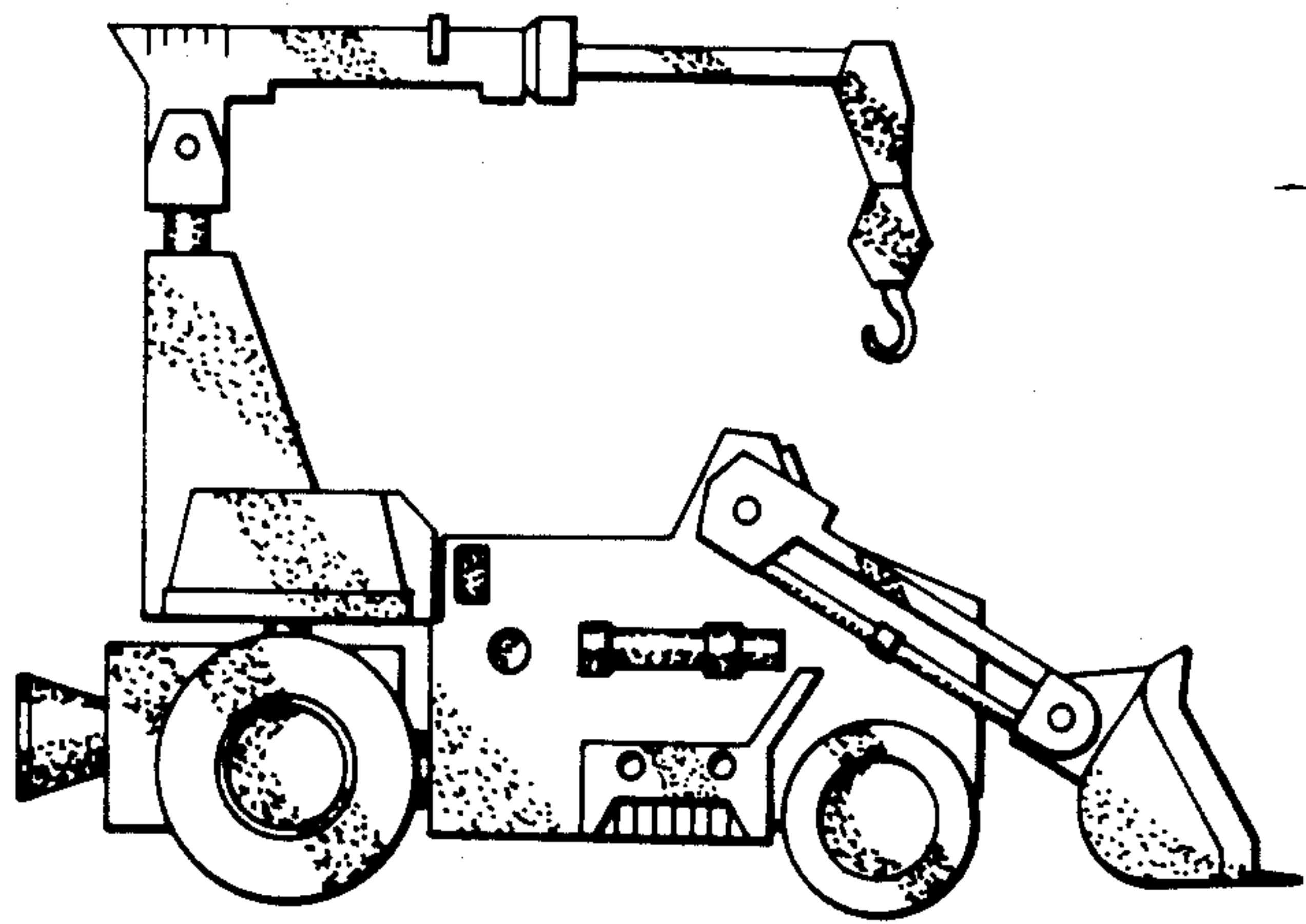


FIG. 3

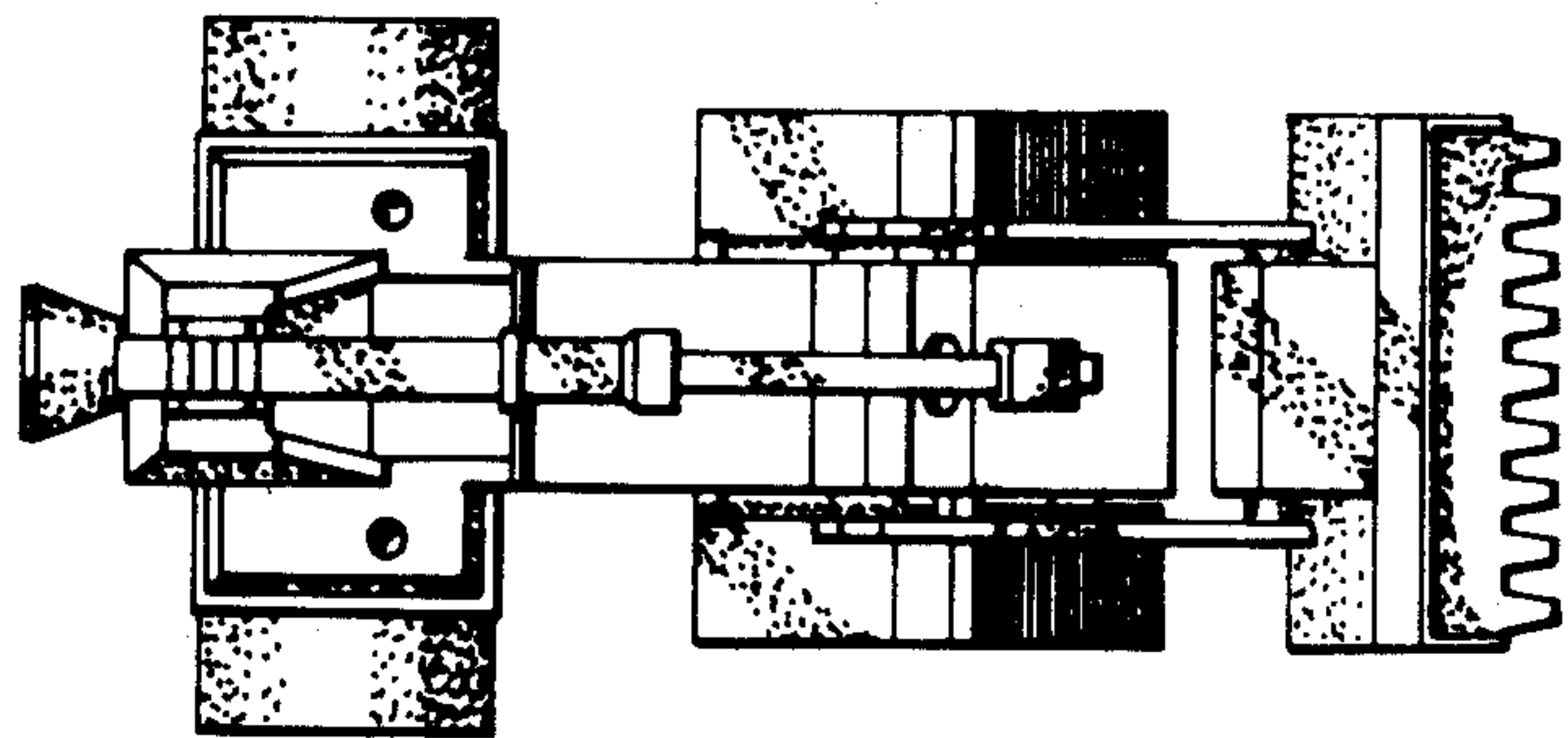


FIG. 5

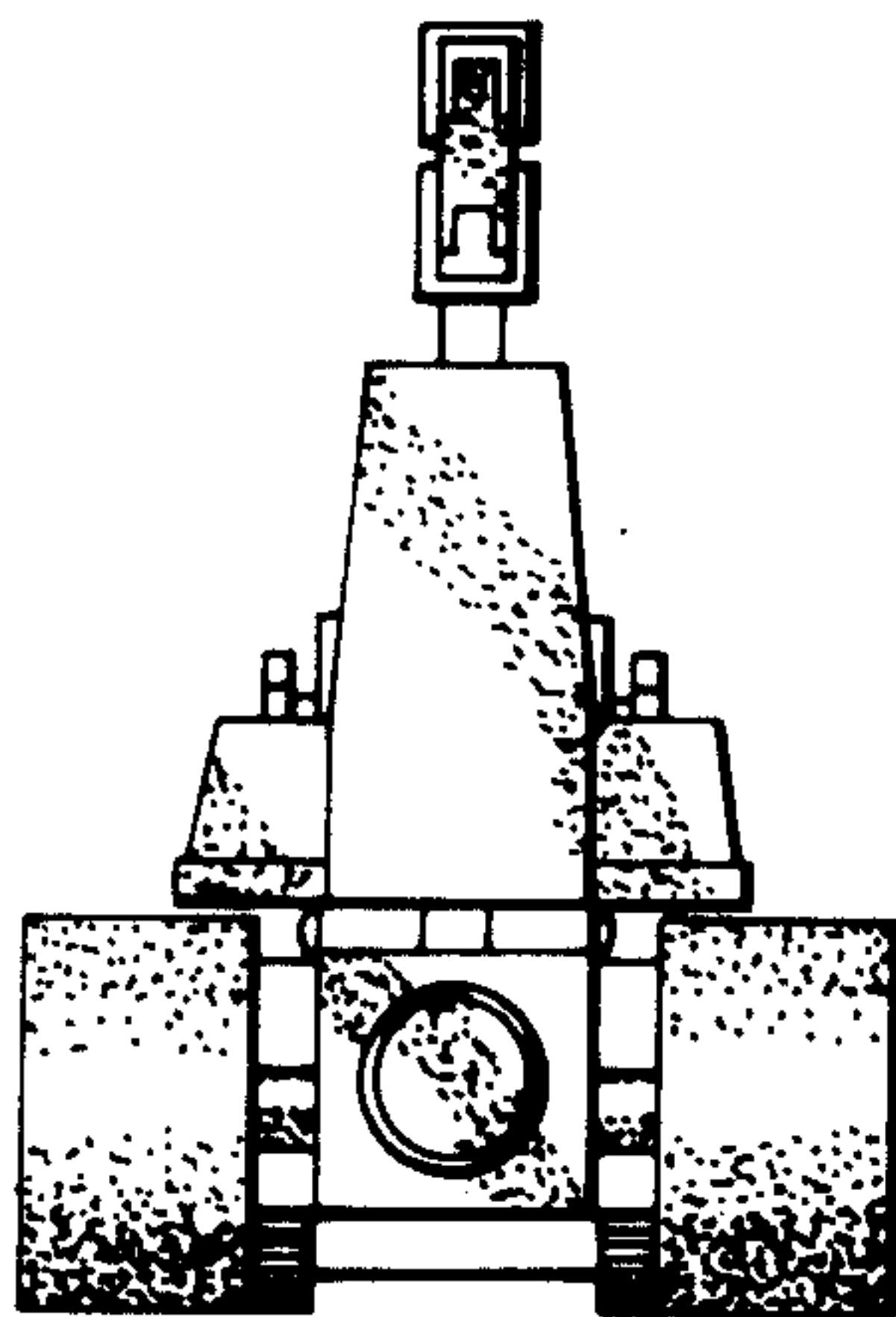


FIG. 4

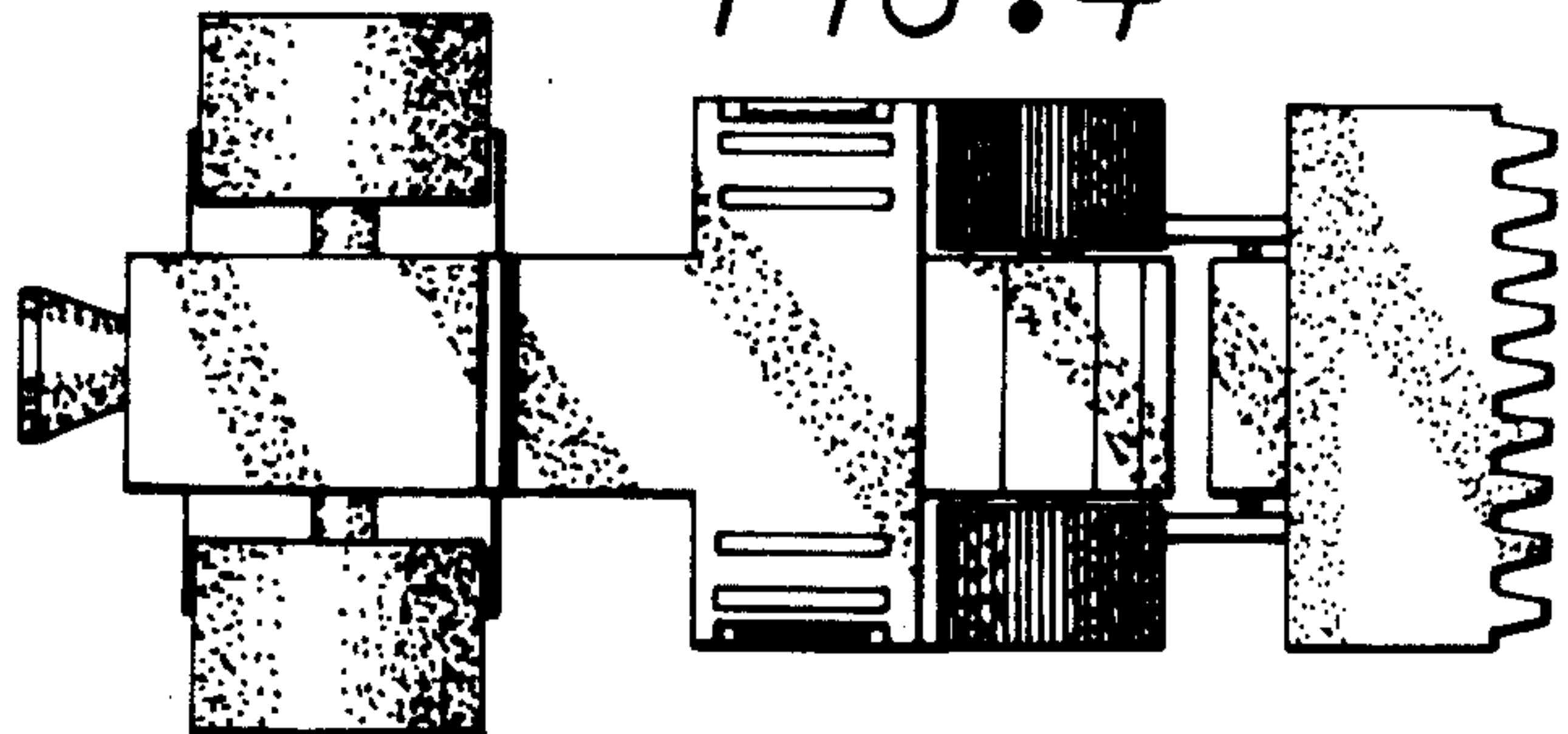


FIG. 6