

[54] SKATE BOARD WHEEL

[76] Inventor: Albert J. Hess, 8837 Brookdale Dr., Garden Grove, Calif. 92644

[**] Term: 14 Years

[21] Appl. No.: 736,430

[22] Filed: Oct. 28, 1976

[51] Int. Cl. D21-02

[52] U.S. Cl. D34/14 C

[58] Field of Search D34/14 C, 15 AJ, 15 AT; 301/5.7, 5.3; 280/87.01, 87.04 A, 87.04 B; D12/204, 207, 208, 212

[56] References Cited

U.S. PATENT DOCUMENTS

2,316,498	4/1943	Biczak	301/5.7
3,992,025	11/1976	Amelio	301/5.7

FOREIGN PATENT DOCUMENTS

11671 5/1909 United Kingdom D34/14 C

OTHER PUBLICATIONS

Playthings, 9-1976, p. 60, Max 500 Wheel.

Primary Examiner—Winifed E. Herrmann

Assistant Examiner—C. A. Rademaker

Attorney, Agent, or Firm—Harvey C. Nienow

[57] CLAIM

The ornamental design for a skate board wheel, as shown and described.

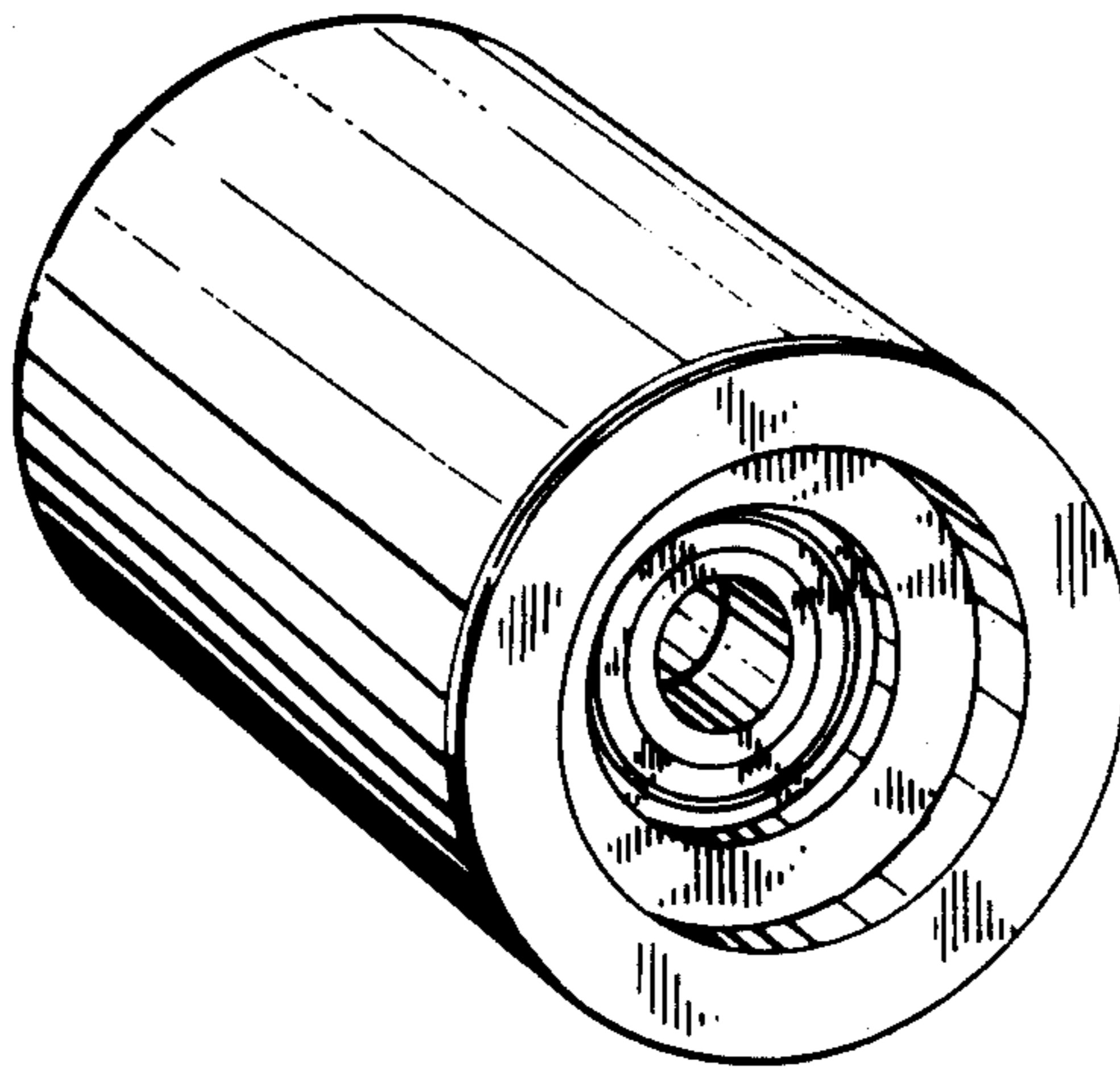
DESCRIPTION

FIG. 1 is a front perspective view of a skate board wheel showing my new design;

FIG. 2 is a front elevational view thereof;

FIG. 3 is a side elevational view thereof; and,

FIG. 4 is a rear elevational view thereof.



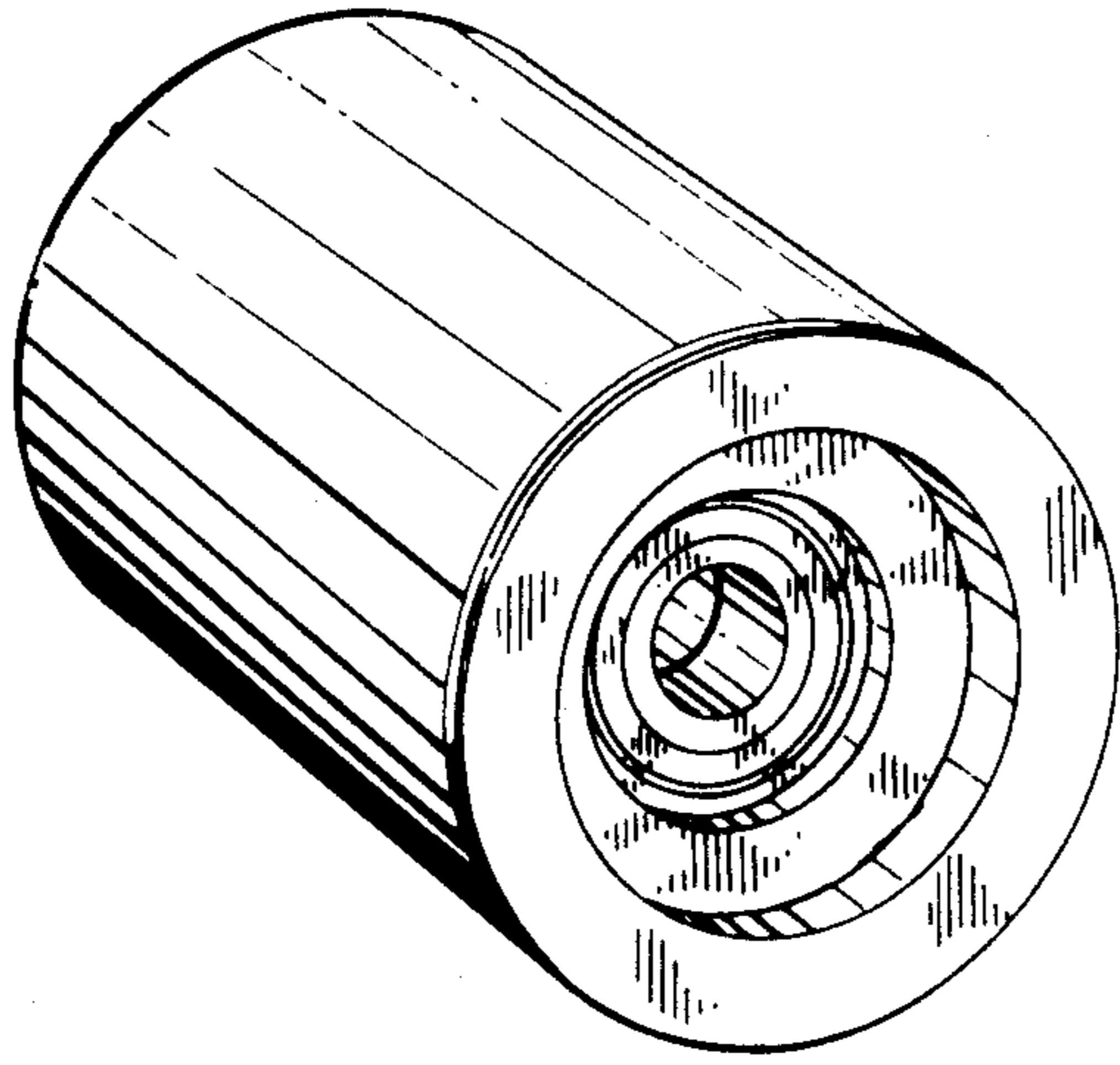


FIG. 1

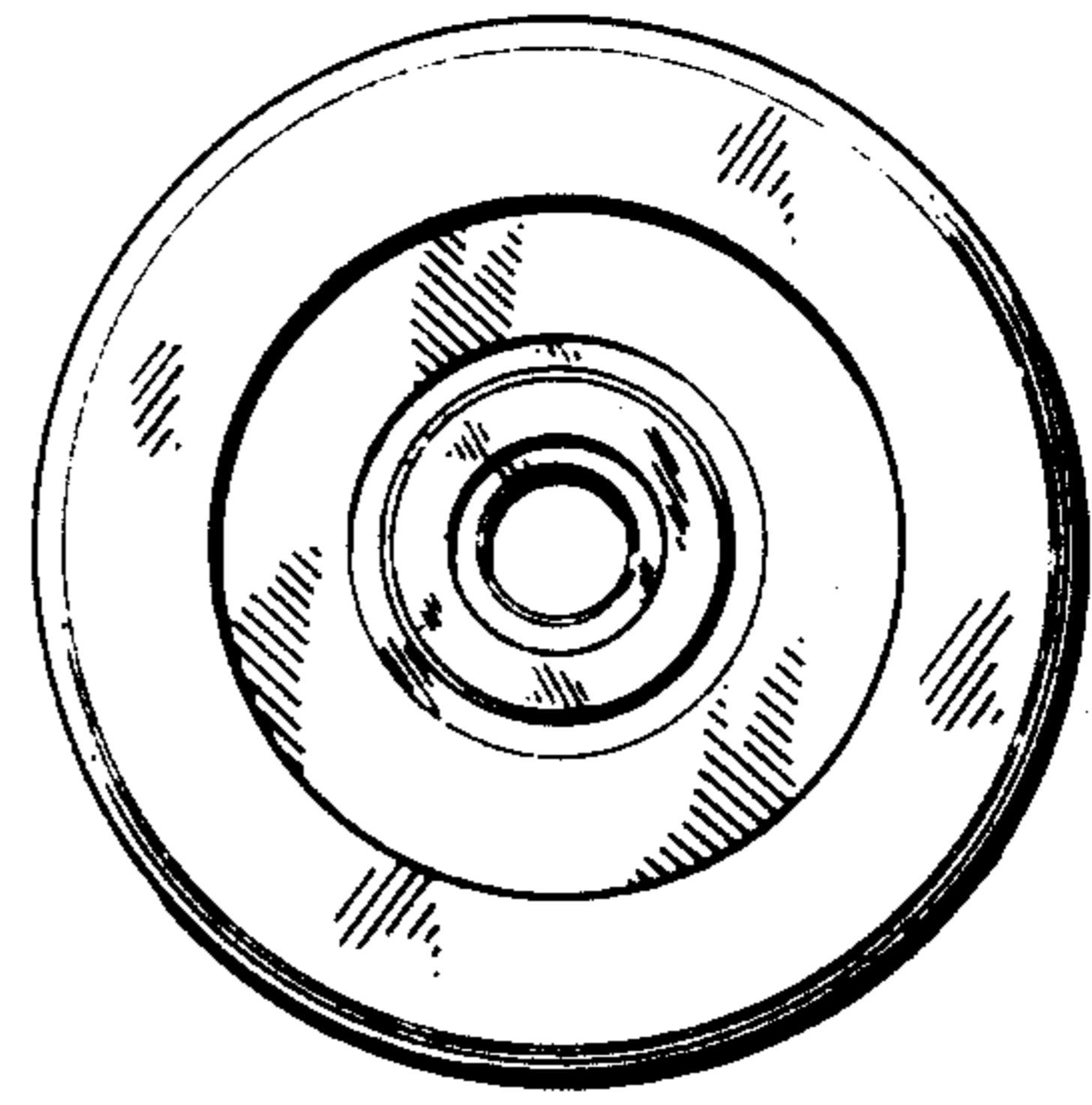


FIG. 2

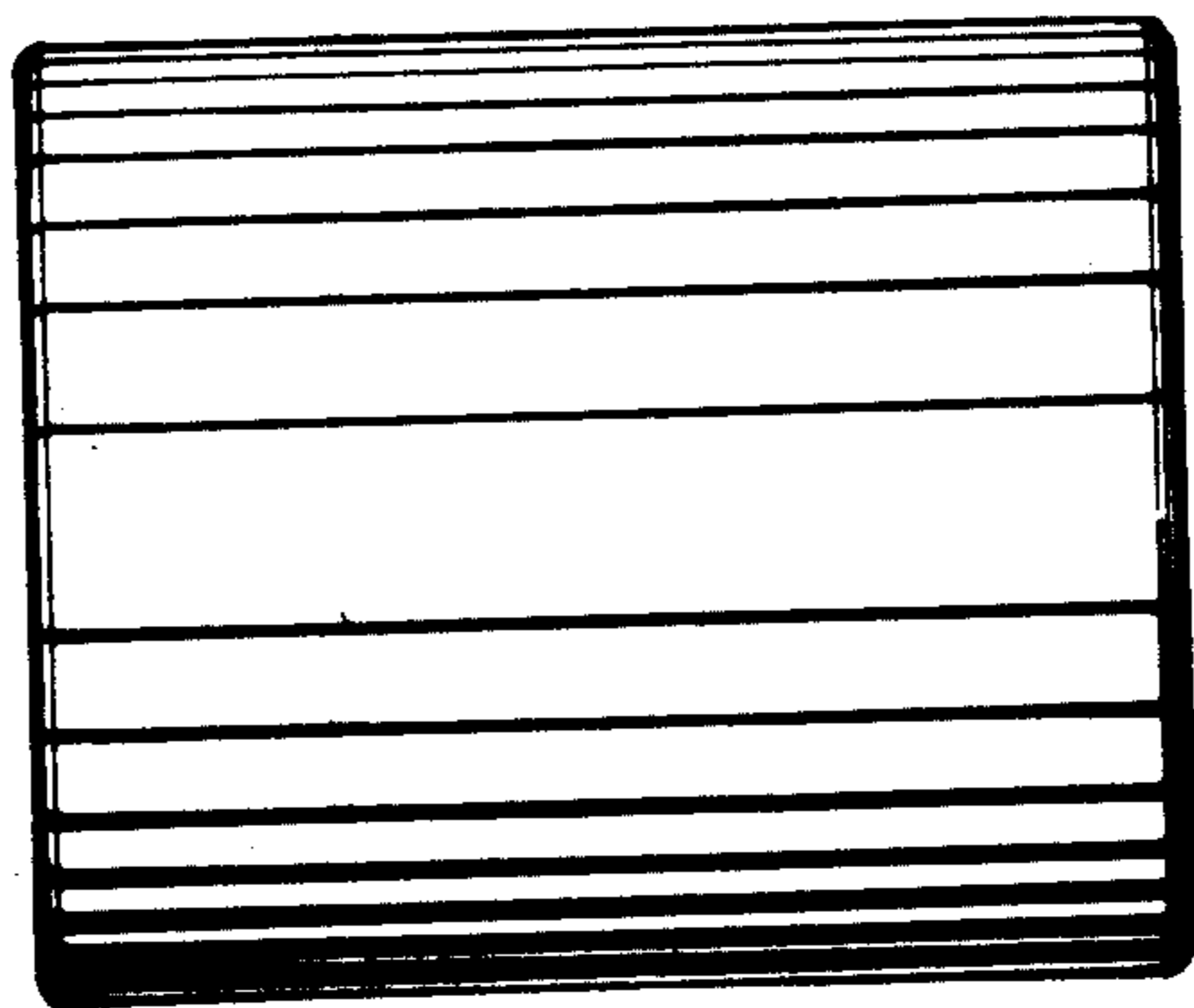


FIG. 3

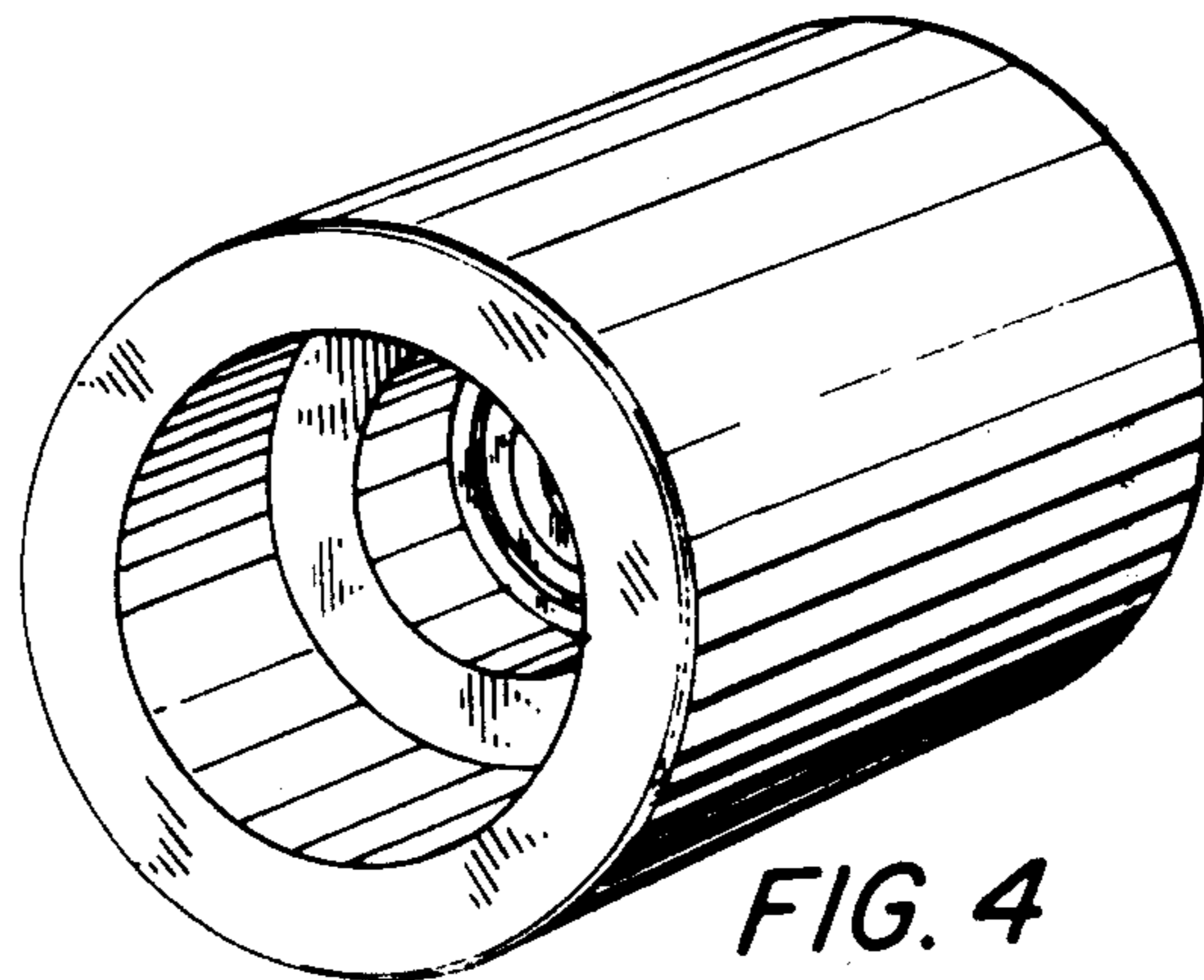


FIG. 4