

[54] STOVE

[75] Inventor: James R. Choate, Rochester, N.H.

[73] Assignee: Hydraform Products Corp.,
Rochester, N.H.

[**] Term: 14 Years

[21] Appl. No.: 769,198

[22] Filed: Feb. 16, 1977

[51] Int. Cl. D23-03

[52] U.S. Cl. D23/97

[58] Field of Search D23/72, 86, 89, 92,
D23/93, 94, 97, 105, 107, 108, 127, 128;
D7/112, 113, 114; 126/4.6, 58, 59, 60, 62, 65,
120, 121, 123, 126, 138, 190, 200, 211, 217

[56]

References Cited

U.S. PATENT DOCUMENTS

D. 237,084 10/1975 Collver D23/97
D. 238,949 2/1976 Giovagnoli D23/93

Primary Examiner—Wallace R. Burke
Assistant Examiner—Catherine Kemper
Attorney, Agent, or Firm—Richard P. Crowley

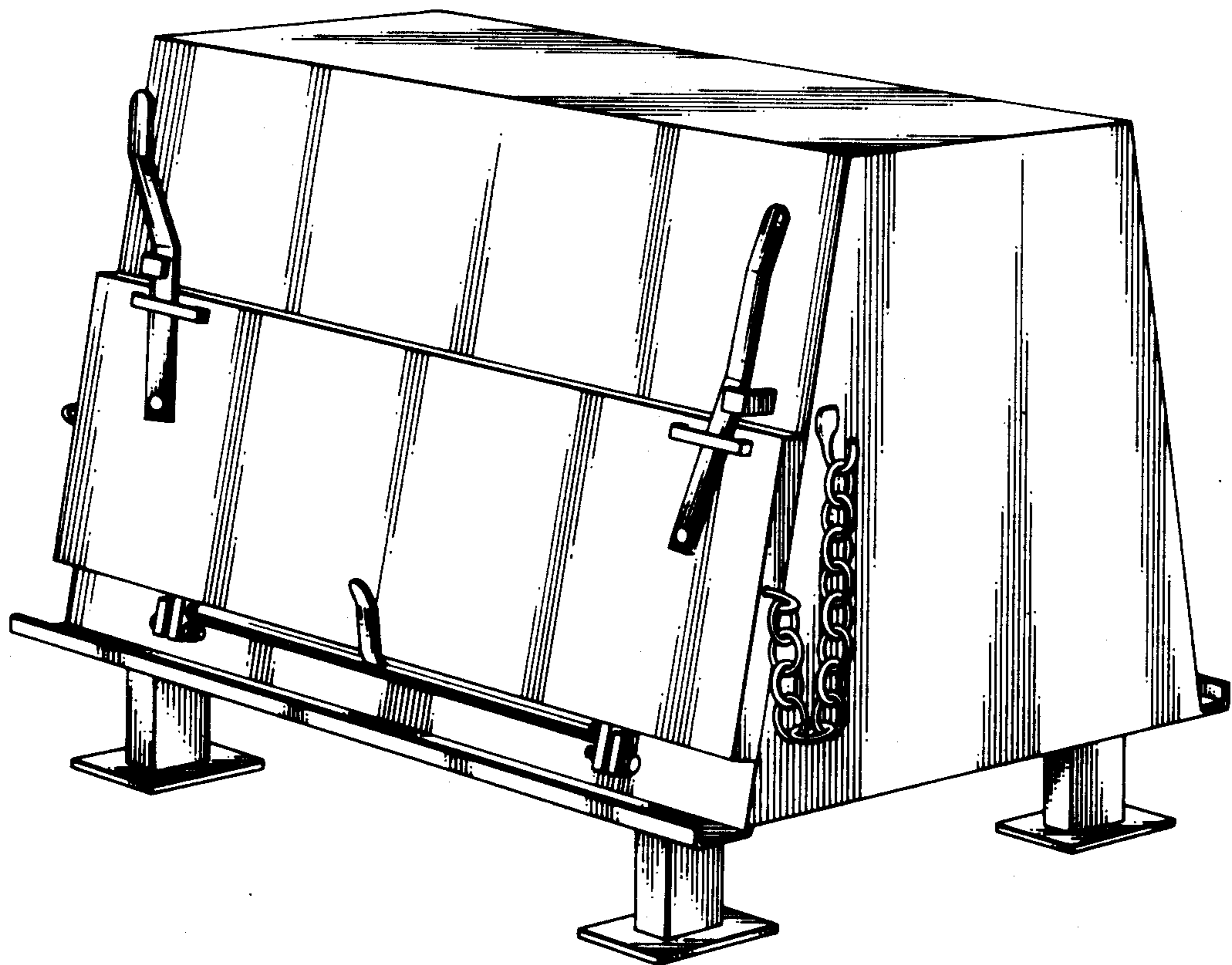
[57]

CLAIM

The ornamental design for the stove, as shown and described.

DESCRIPTION

FIG. 1 is a top, front perspective view of a stove, showing my new design;
FIG. 2 is a bottom, rear perspective view thereof;
FIG. 3 is a top plan view thereof.



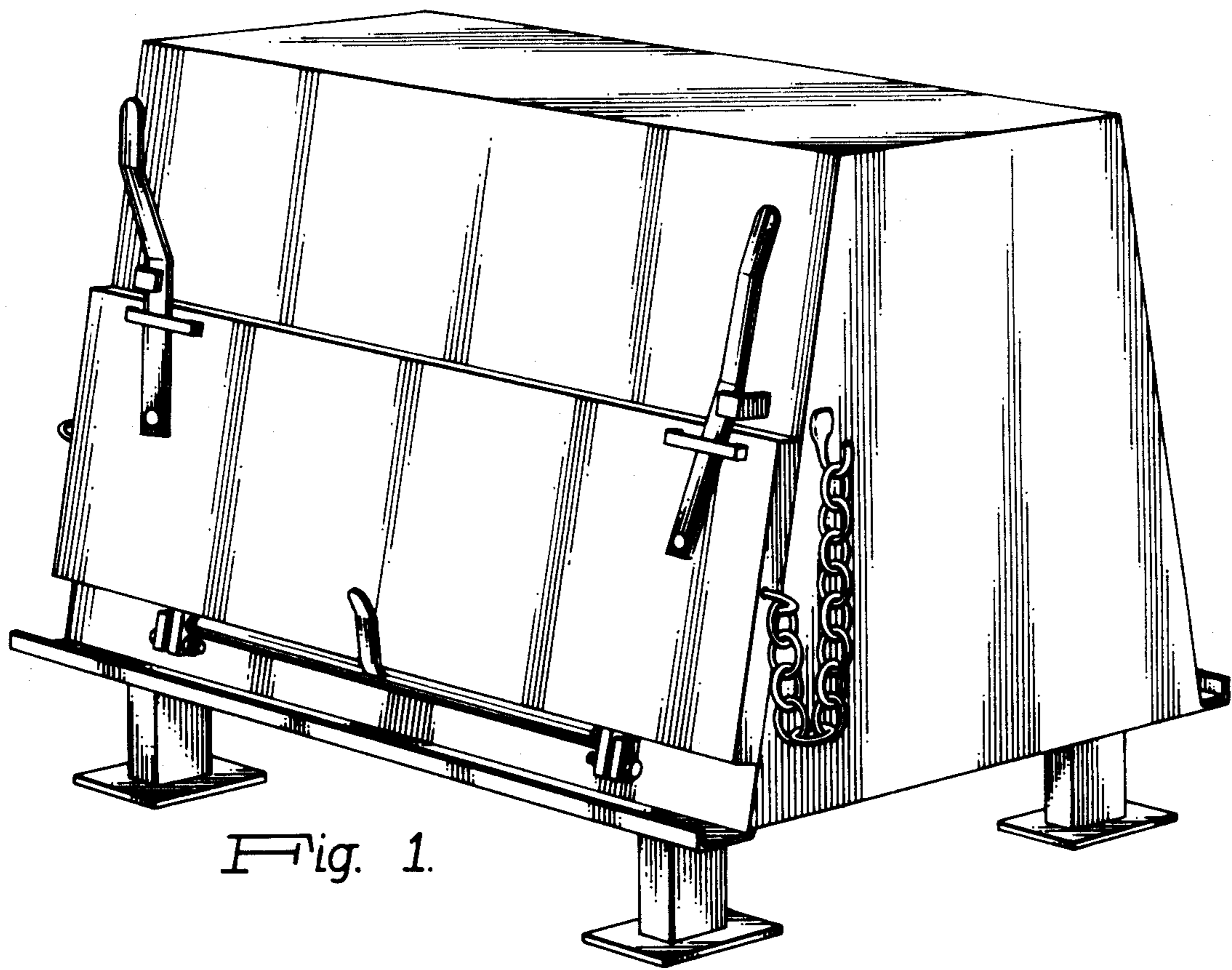


Fig. 1.

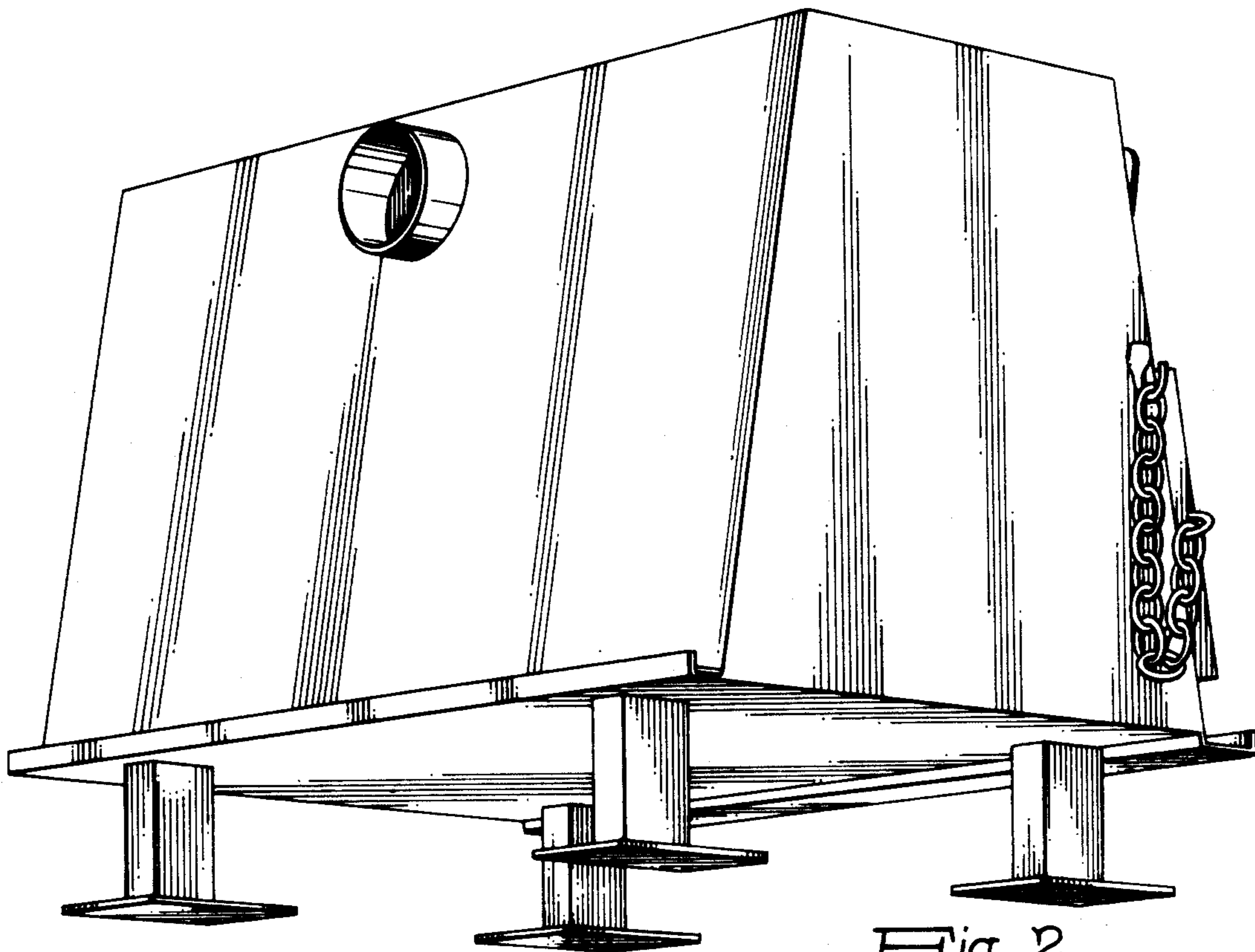


Fig. 2.

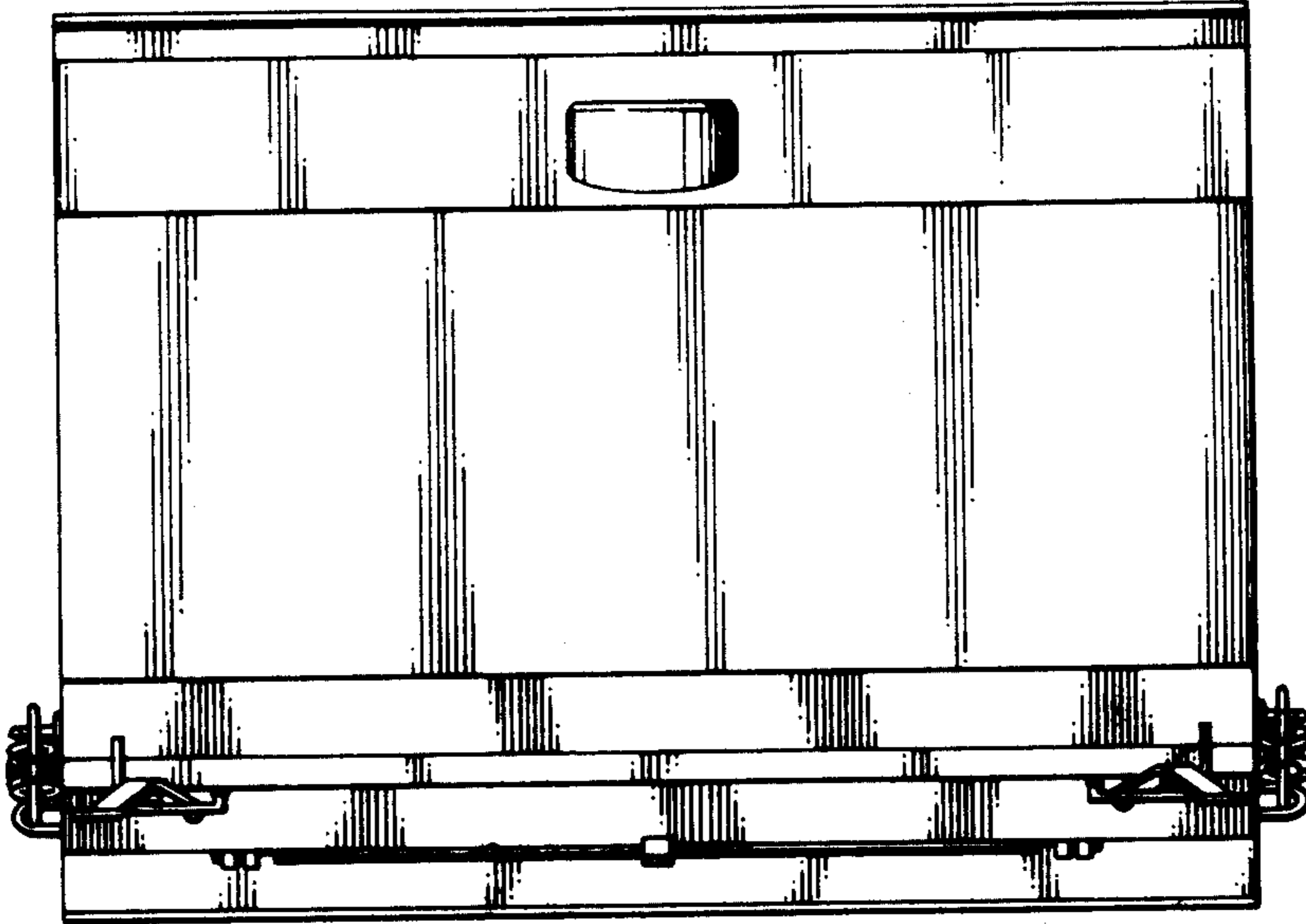


Fig. 3.