

[54] VALVE  
 [75] Inventor: Harold D. Fetty, Birmingham, Mich.  
 [73] Assignee: Ross Operating Valve Company, Detroit, Mich.  
 [\*\*] Term: 14 Years  
 [21] Appl. No.: 687,621  
 [22] Filed: May 19, 1976  
 [51] Int. Cl. .... D23-01  
 [52] U.S. Cl. .... D23/19  
 [58] Field of Search ..... D23/19-22, D23/27, 32, 33, 38-43; 137/596.16

3,038,500 6/1962 Lansky et al. .... 37/596.16 X  
 3,598,148 8/1971 Kroffke ..... 137/596.16  
 3,757,818 9/1973 Sweet ..... 137/596.16

Primary Examiner—James R. Largen  
 Attorney, Agent, or Firm—J. King Harness

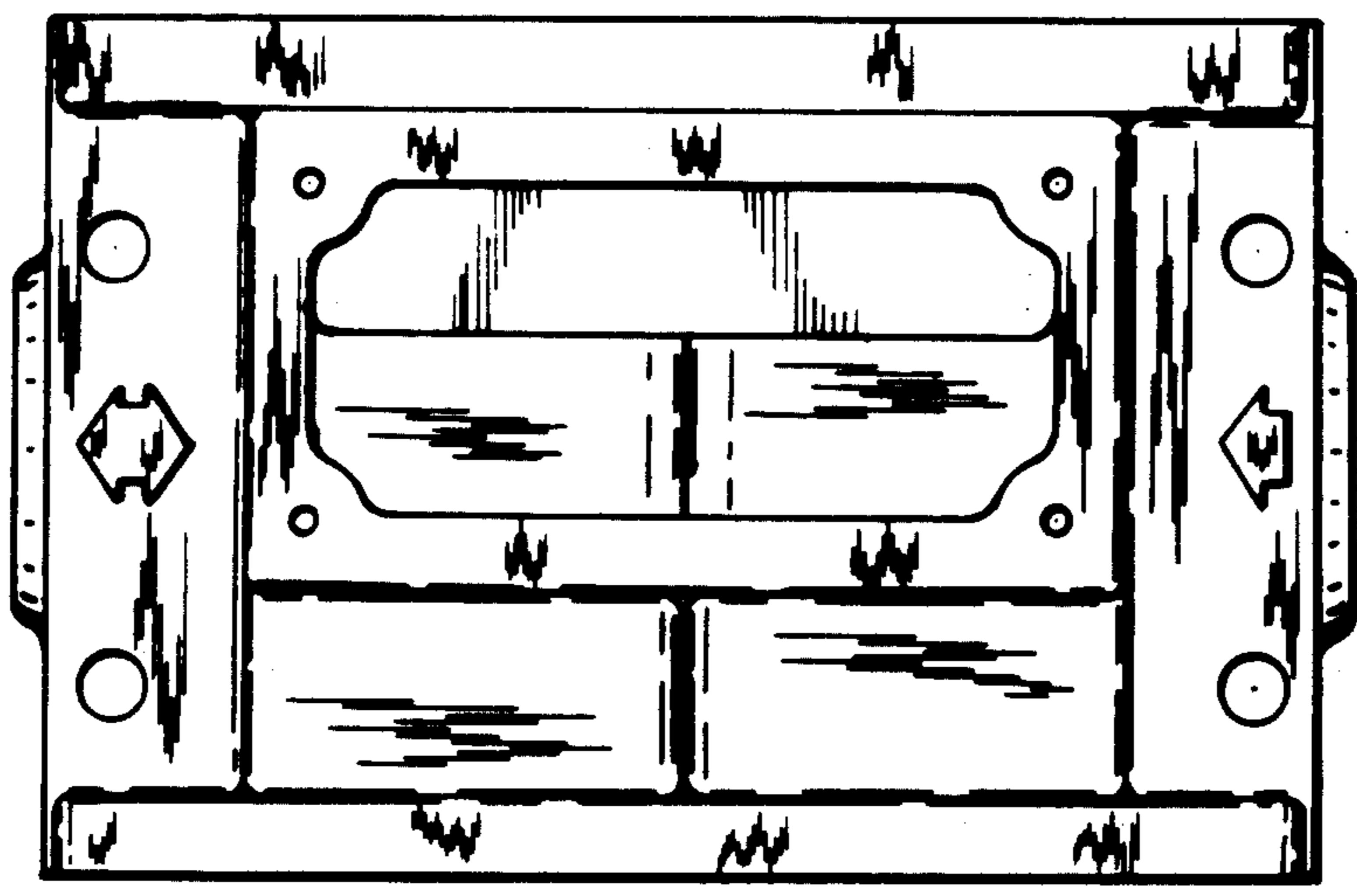
[57] CLAIM

The ornamental design for a valve, as shown and described.

DESCRIPTION

FIG. 1 is a front elevational view of a valve showing my new design;  
 FIG. 2 is a top plan view thereof;  
 FIG. 3 is a left side elevational view thereof;  
 FIG. 4 is a right side elevational view thereof;  
 FIG. 5 is a rear elevational view thereof;  
 FIG. 6 is a bottom plan view thereof;  
 FIG. 7 is a perspective view taken from the front, top and right side thereof; and  
 FIG. 8 is a perspective view taken from the rear, top and left side thereof.

[56] References Cited  
 U.S. PATENT DOCUMENTS  
 D. 142,771 11/1945 Chapman, Jr. .... D23/19  
 D. 198,008 4/1964 Dunn et al. .... D23/39  
 D. 200,454 2/1965 Everitt ..... D23/20  
 D. 223,095 3/1972 Allen ..... D23/19  
 2,940,475 6/1960 Hicks ..... 137/596.16



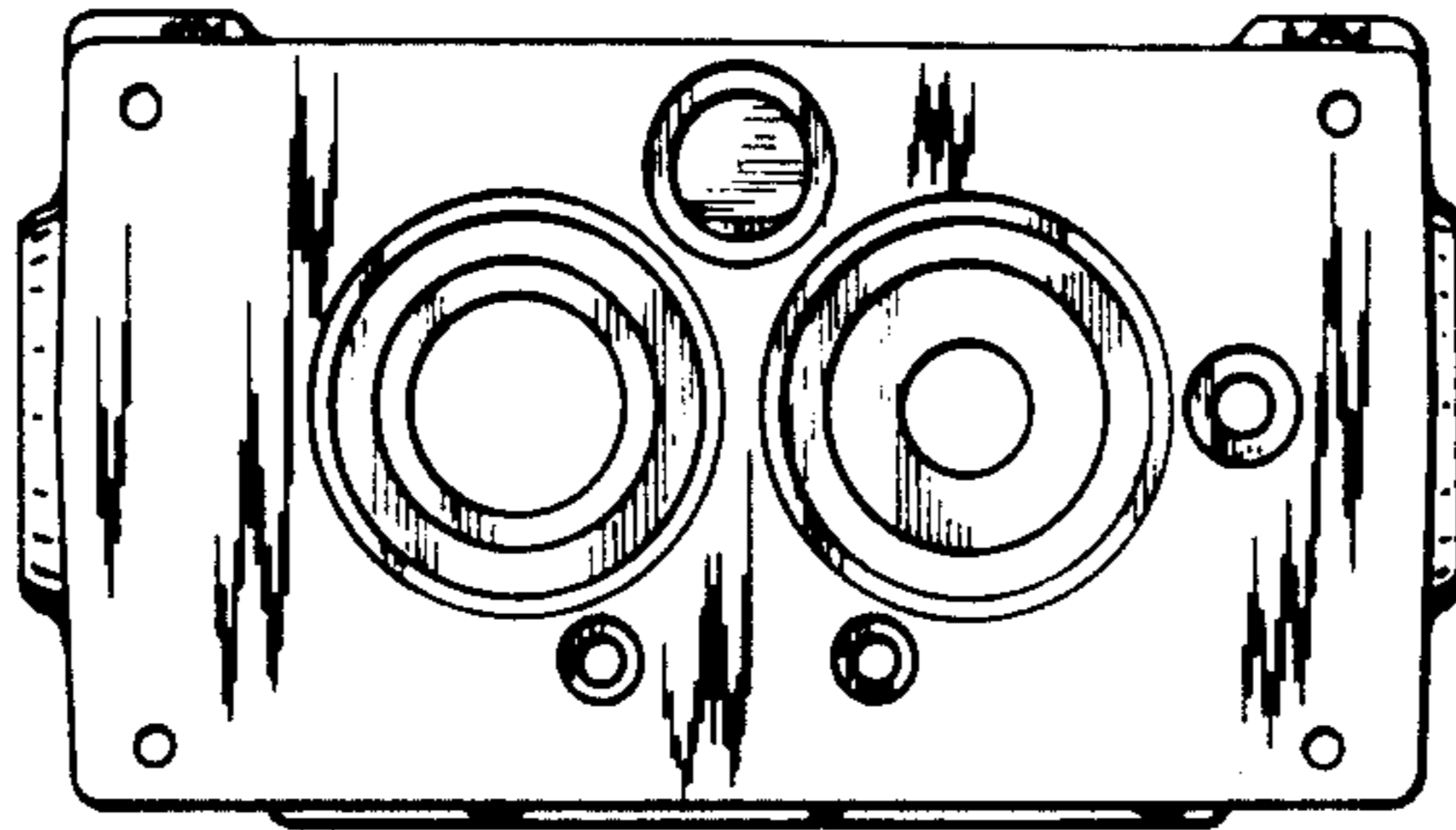


FIG. 2.

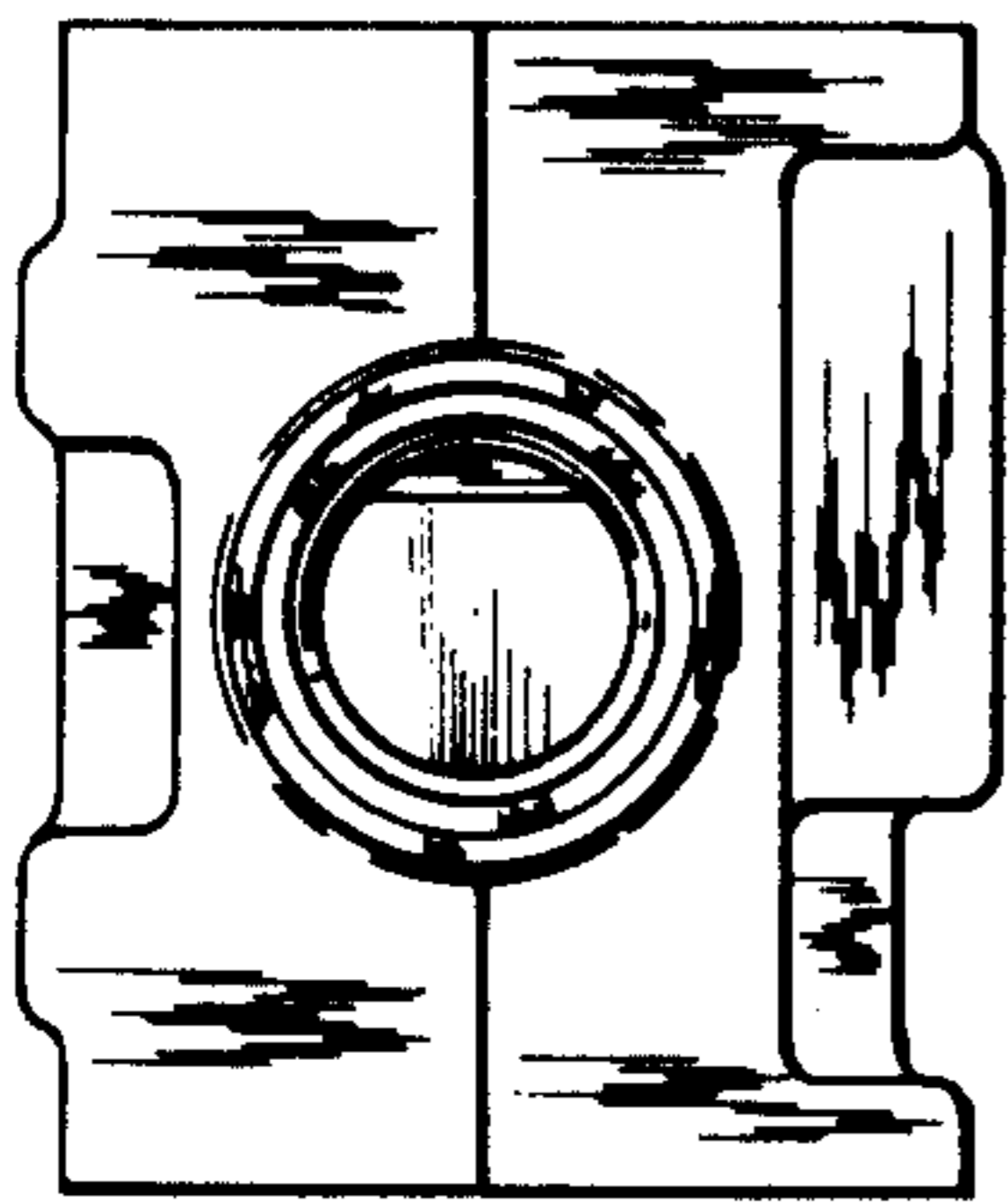


FIG. 3.

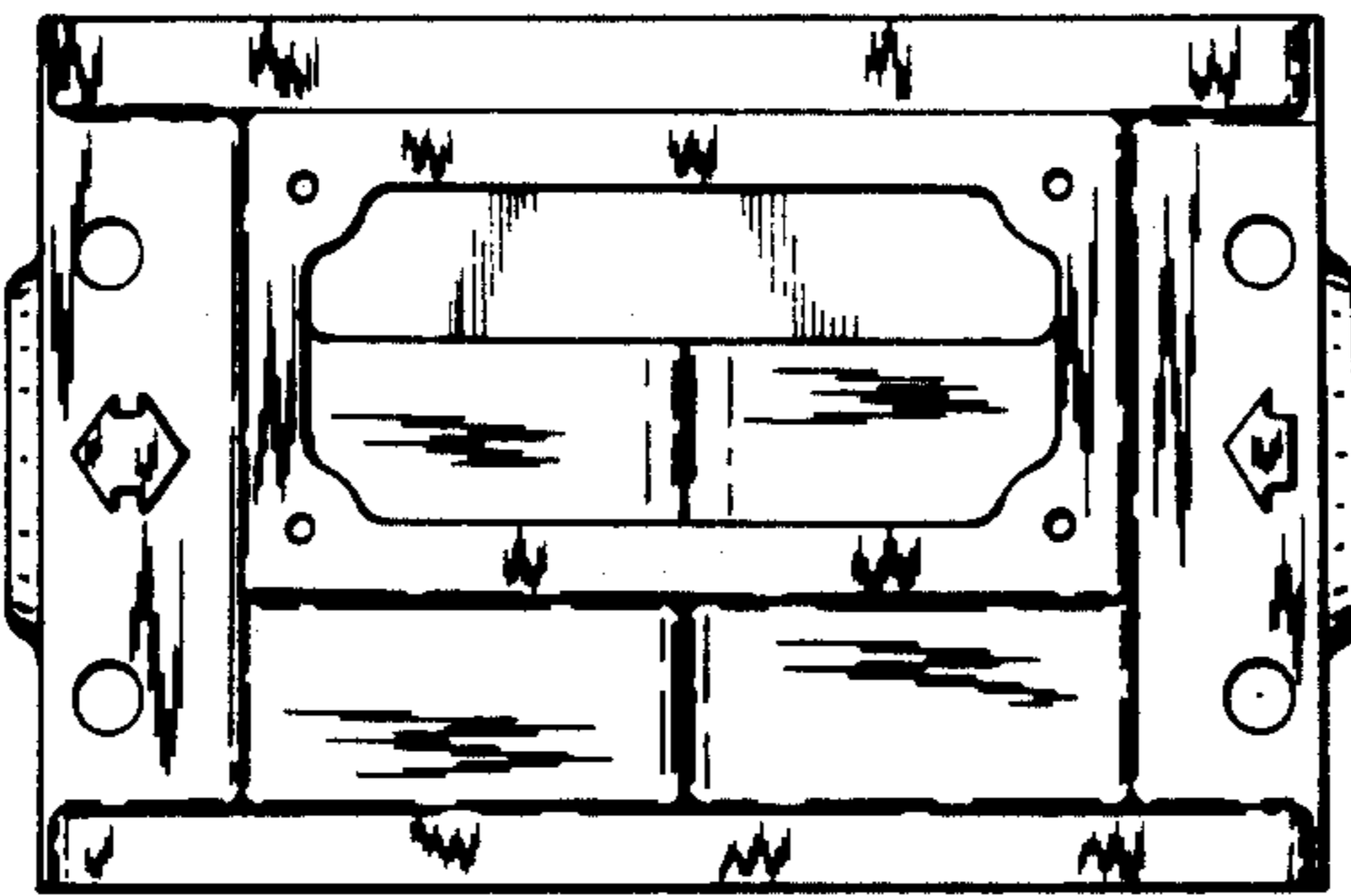


FIG. 1.

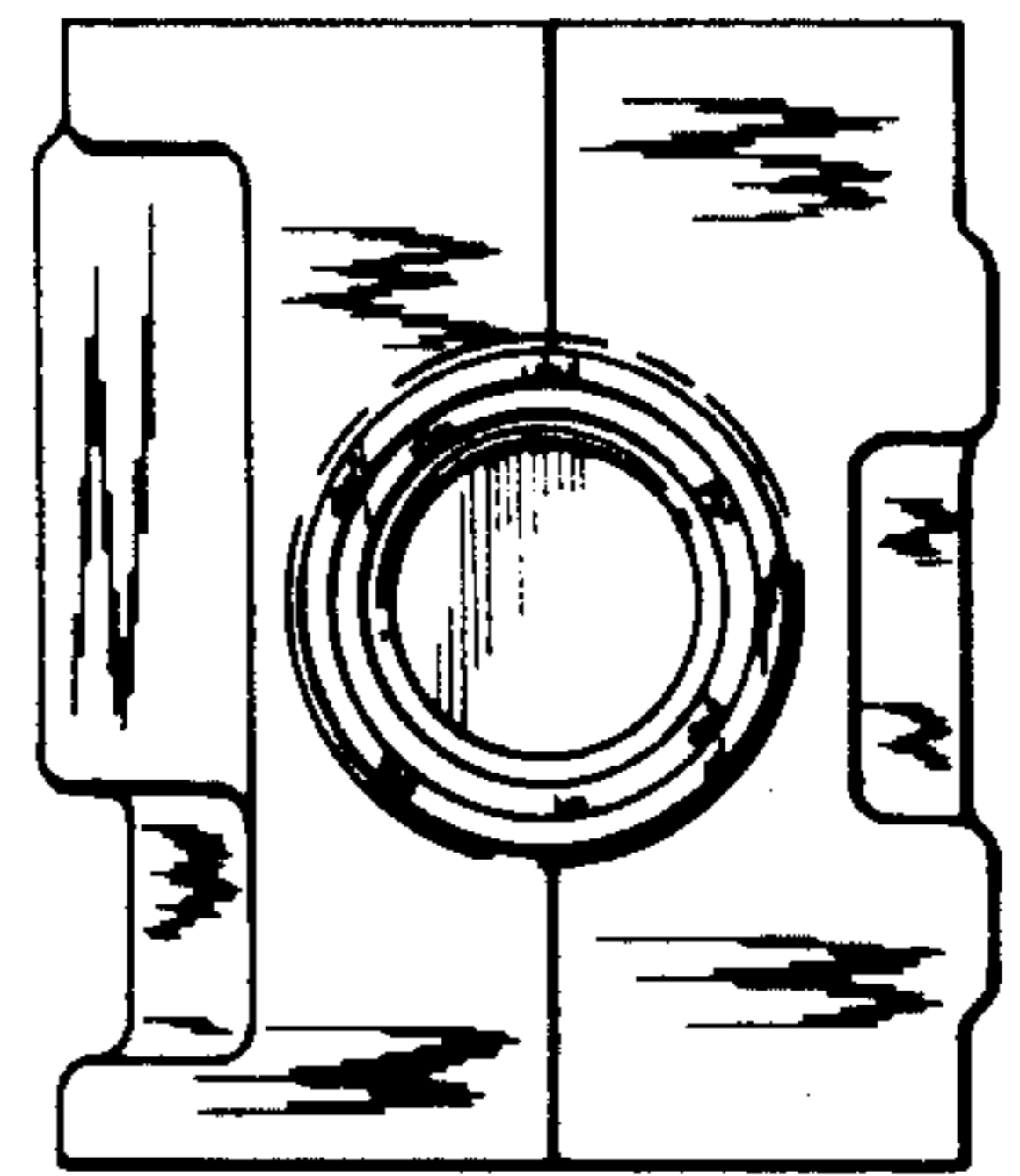


FIG. 4.

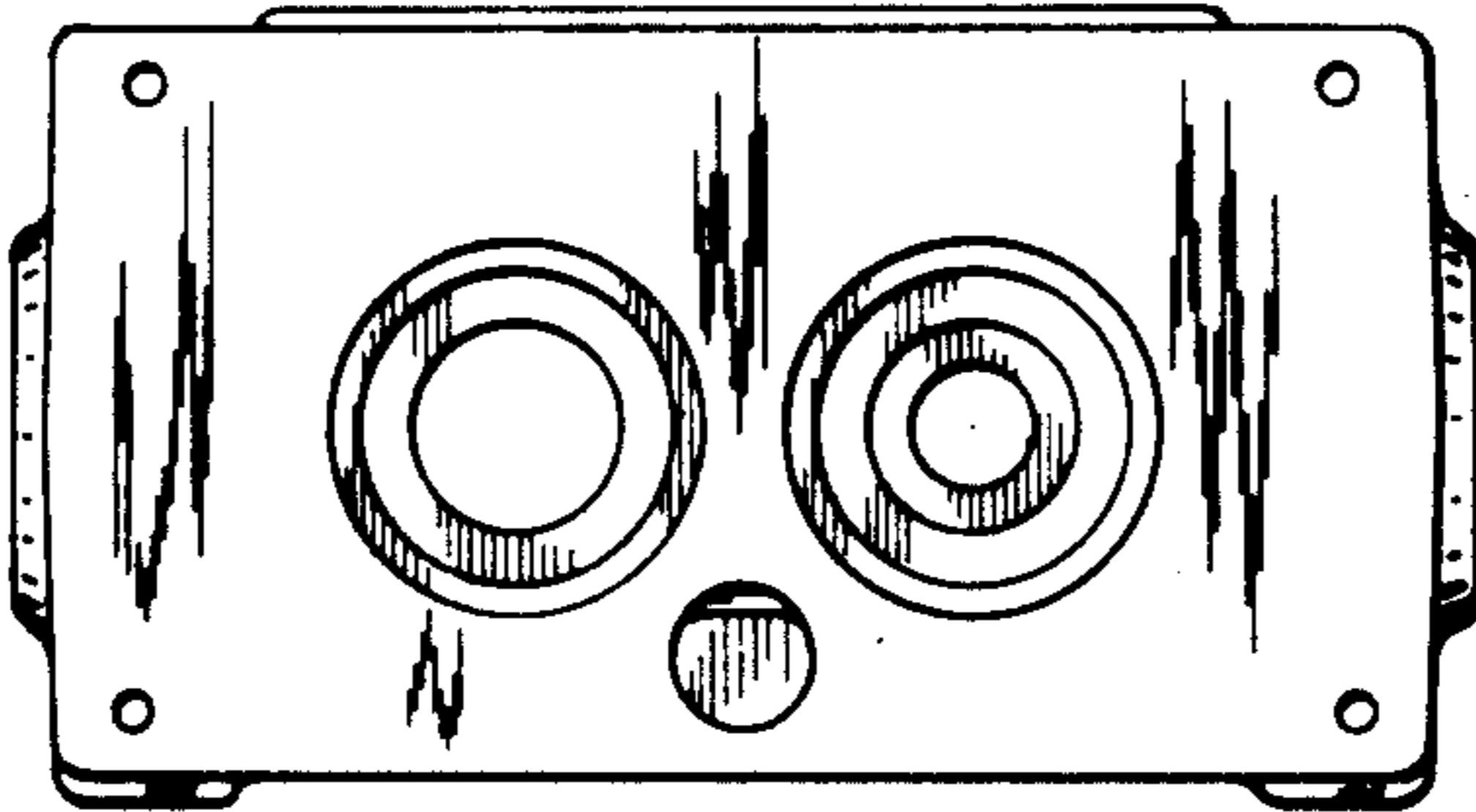


FIG. 6.

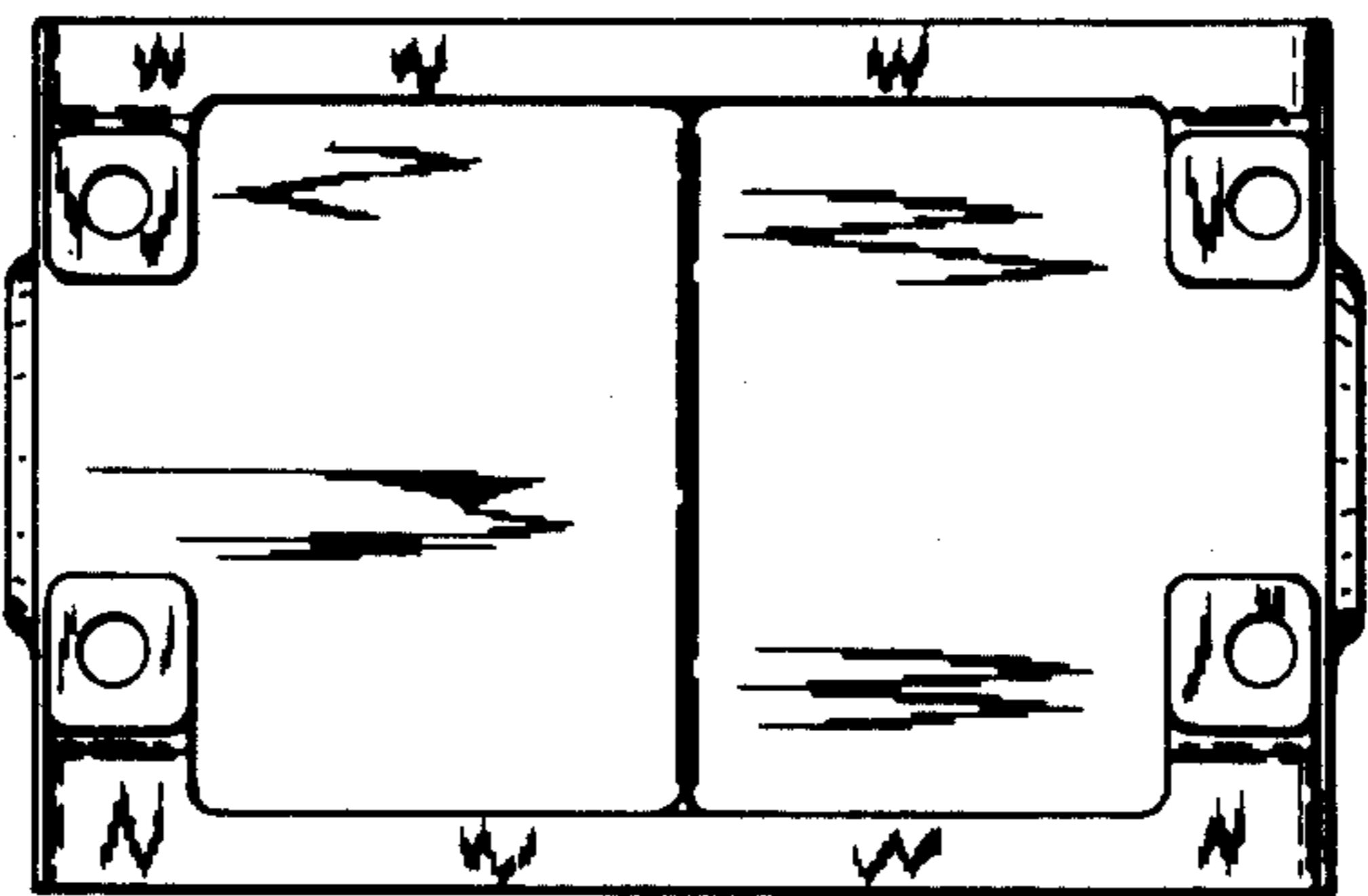


FIG. 5.

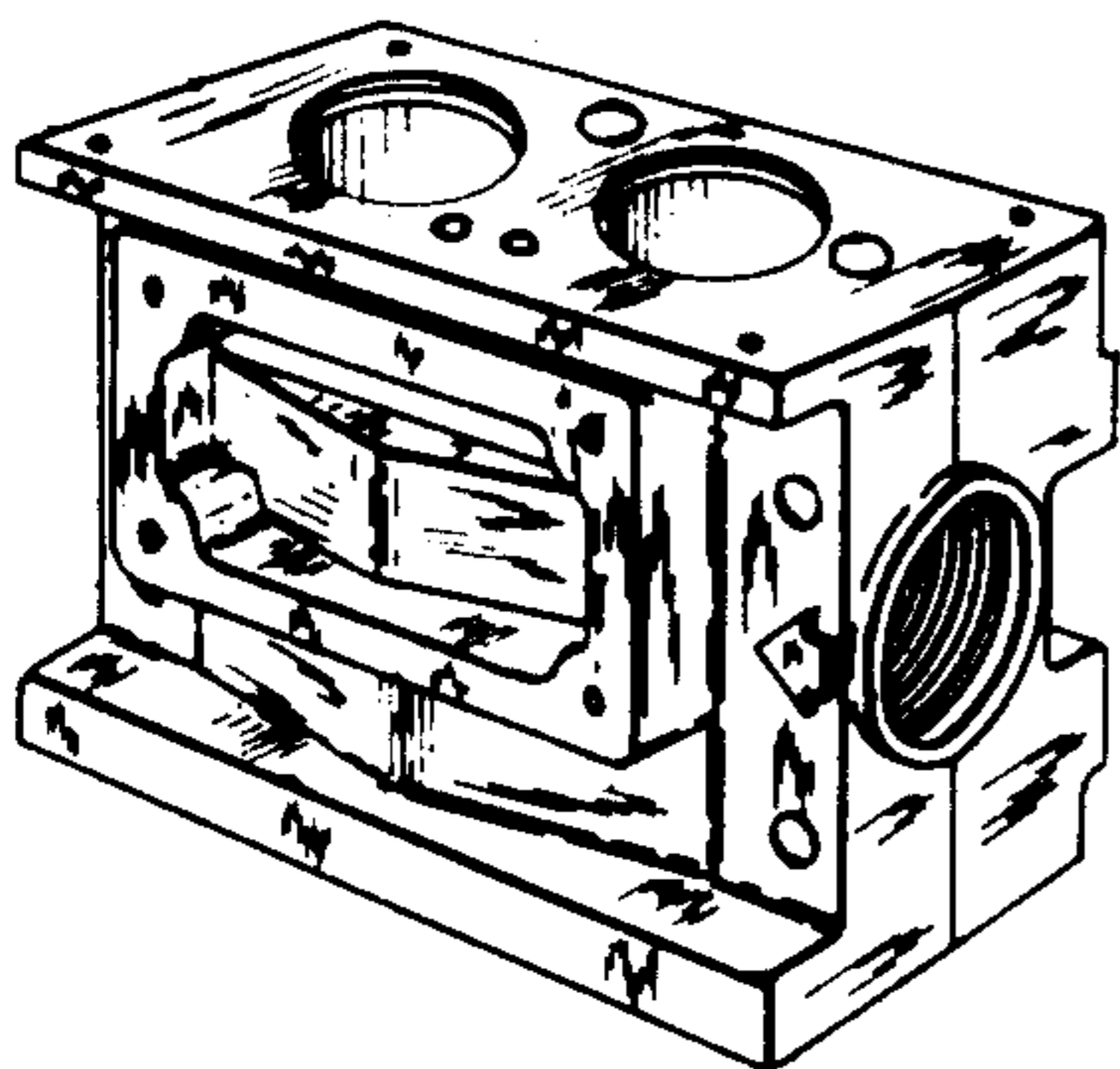


FIG. 7.

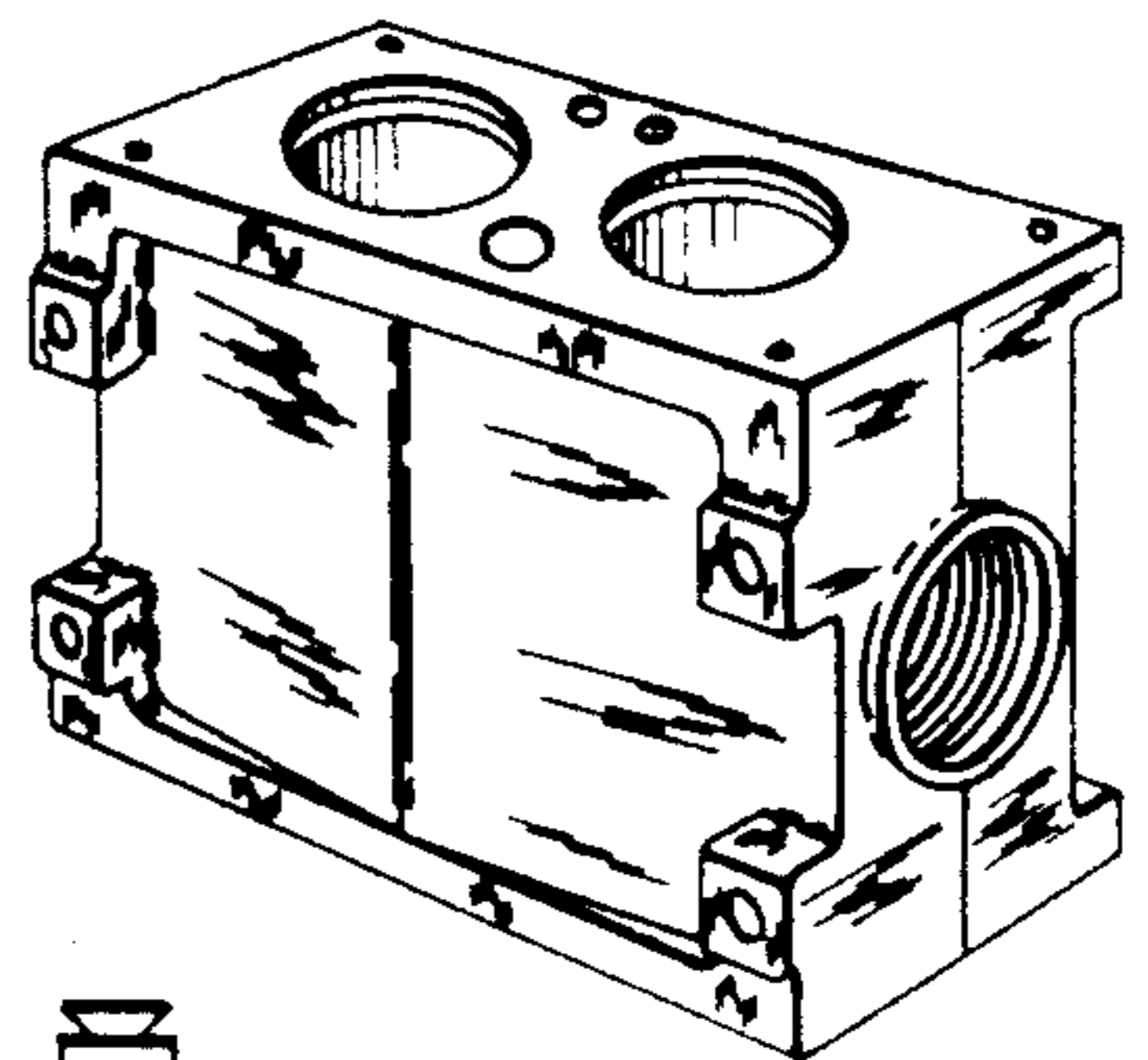


FIG. 8.