

Raney

[54] FISHING LINE RETAINER

[76] Inventor: L. Fred Raney, 506 N. Express, Paris, Ark. 72855

[\*\*] Term: 14 Years

[21] Appl. No.: 795,111

[22] Filed: May 9, 1977

[51] Int. Cl. .... D22-05

[52] U.S. Cl. .... D22/30; D22/29

[58] Field of Search .... D22/27, 28, 30; 43/42.45, 42.47, 42.48, 42.49, 43.16, 43.2, 43.4, 44.8, 44.82, 44.98

[56] References Cited

U.S. PATENT DOCUMENTS

D. 230,401	2/1974	Harris	.....	D22/30
3,675,276	7/1972	Nuse	.....	43/42.49
3,939,594	2/1976	Wagner	.....	43/42.49

FOREIGN PATENT DOCUMENTS

690469 4/1953 United Kingdom ..... D22/30

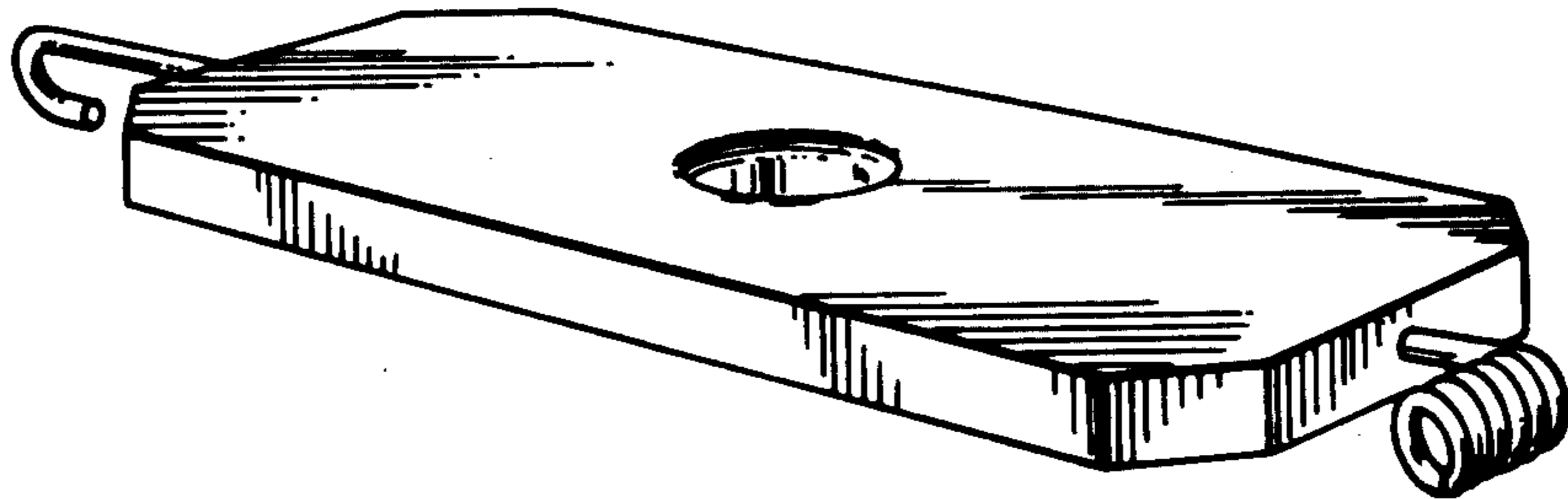
Primary Examiner—A. Hugo Word  
Attorney, Agent, or Firm—Claude W. Lowe

[57] CLAIM

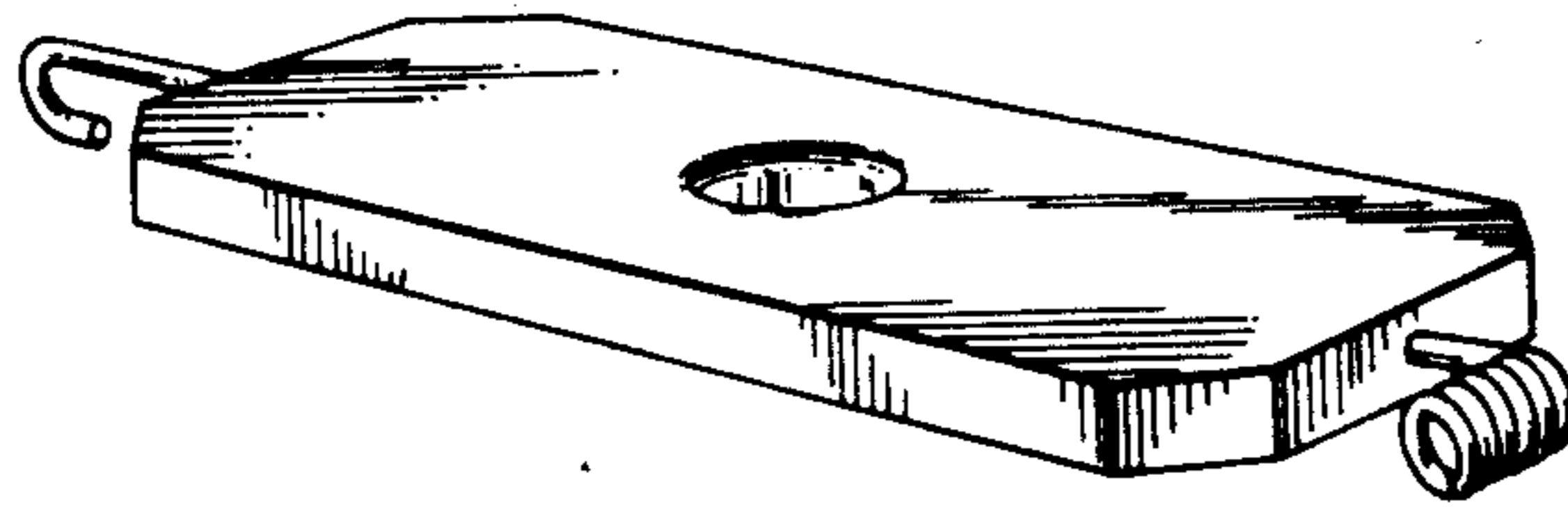
The ornamental design for a fishing line retainer, as shown and described.

DESCRIPTION

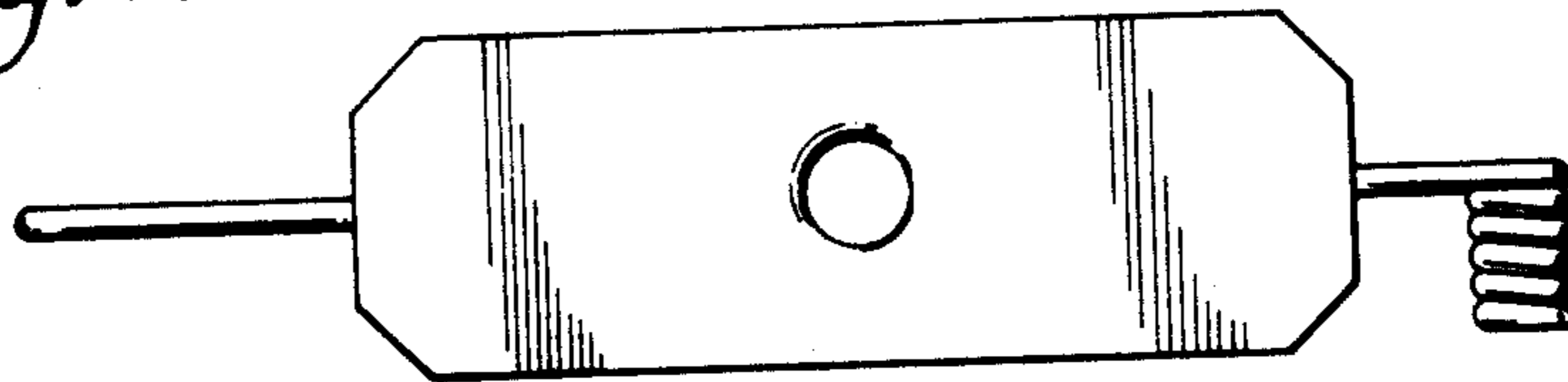
FIG. 1 is a perspective view of a fishing line retainer showing my new design;  
FIG. 2 is a top plan view of the fishing line retainer, the reverse or bottom view being similar in appearance;  
FIG. 3 is a side view of the fishing line retainer;  
FIG. 4 is a side view of the fishing line retainer, the side illustrated being opposite that shown in FIG. 3;  
FIG. 5 is an end view of the fishing line retainer as seen from left to right in FIG. 3; and  
FIG. 6 is an end view of the fishing line retainer as seen from right to left in FIG. 3.



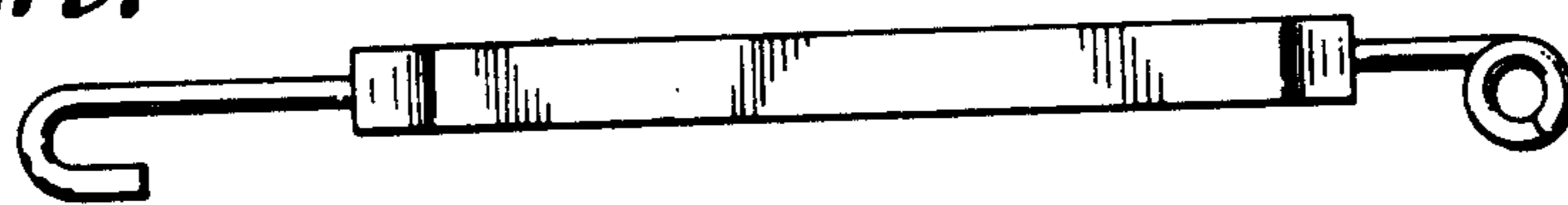
*Fig. 1.*



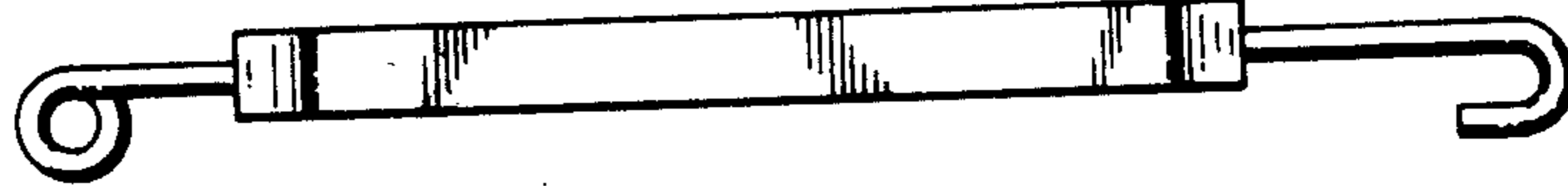
*Fig. 2.*



*Fig. 3.*



*Fig. 4.*



*Fig. 5.*



*Fig. 6.*

