

[54] TIRE

[75] Inventors: Loran C. Lopp, Wadsworth; Samuel P. Landers, Uniontown; Philip S. Hammond, Mogadore, all of Ohio

[73] Assignee: The Goodyear Tire & Rubber Company

[**] Term: 14 Years

[21] Appl. No.: 808,852

[22] Filed: Jun. 22, 1977

[51] Int. Cl. D12-15

[52] U.S. Cl. D12/147

[58] Field of Search D12/141-143, D12/145-151; 152/209

[56] References Cited

U.S. PATENT DOCUMENTS

D. 244,595 6/1977 Yurkovich et al. D12/147
D. 246,364 11/1977 Candiliotis D12/151

OTHER PUBLICATIONS

1970 Tread Design Guide, p. 104, Uniroyal Fleetmaster Deep Lug Tire, center of page.

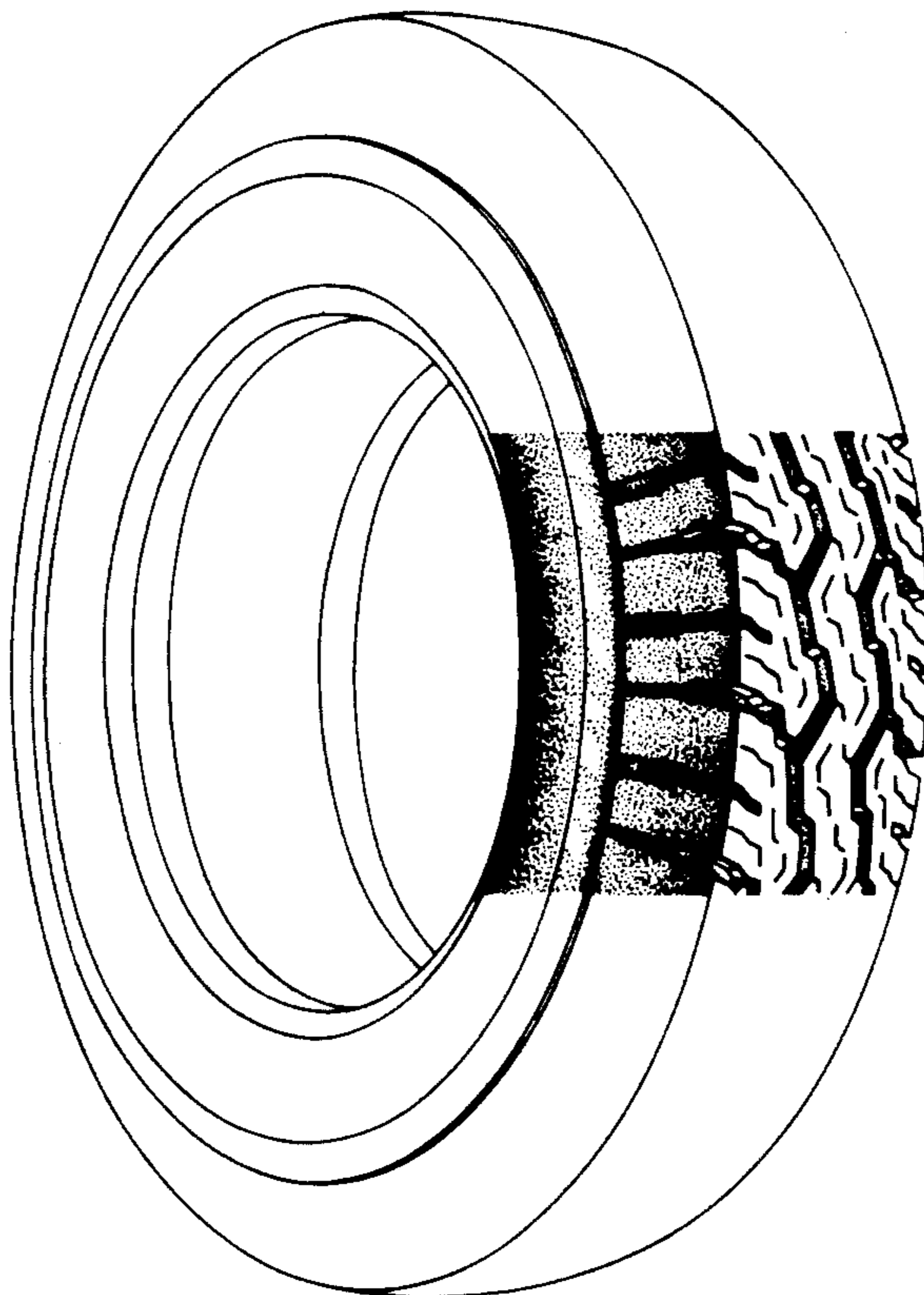
Primary Examiner—James M. Gandy
Attorney, Agent, or Firm—Frank Pincelli

[57] CLAIM

The ornamental design for a tire, substantially as shown and described.

DESCRIPTION

The FIGURE is a perspective view of a tire showing our new design, it being understood that the tread design is repeated throughout the circumference of the tire as shown schematically by solid lines, the opposite side being substantially the same as that shown.



U.S. Patent

Dec. 26, 1978

Des. 250,642

