

[54] ELECTRONIC SURVEYING INSTRUMENT OR THE LIKE

D. 235,524 6/1975 Kooi et al. D10/66
D. 235,525 6/1975 Kooi et al. D10/66

[75] Inventor: J. Peter E. Kooi, Succasunna, N.J.

FOREIGN PATENT DOCUMENTS

[73] Assignee: Keuffel & Esser Company, Morristown, N.J.

384877 2/1965 Switzerland 33/292

[**] Term: 14 Years

Primary Examiner—Nelson C. Holtje
Attorney, Agent, or Firm—Lionel N. White

[21] Appl. No.: 781,901

[57] CLAIM

[22] Filed: Mar. 28, 1977

The ornamental design for electronic surveying instrument or the like, as shown and described.

[51] Int. Cl. D10-04

DESCRIPTION

[52] U.S. Cl. D10/66

[58] Field of Search D10/66; 33/292

FIG. 1 is a left side elevational view of an electronic surveying instrument or the like showing my new design;

[56] References Cited

U.S. PATENT DOCUMENTS

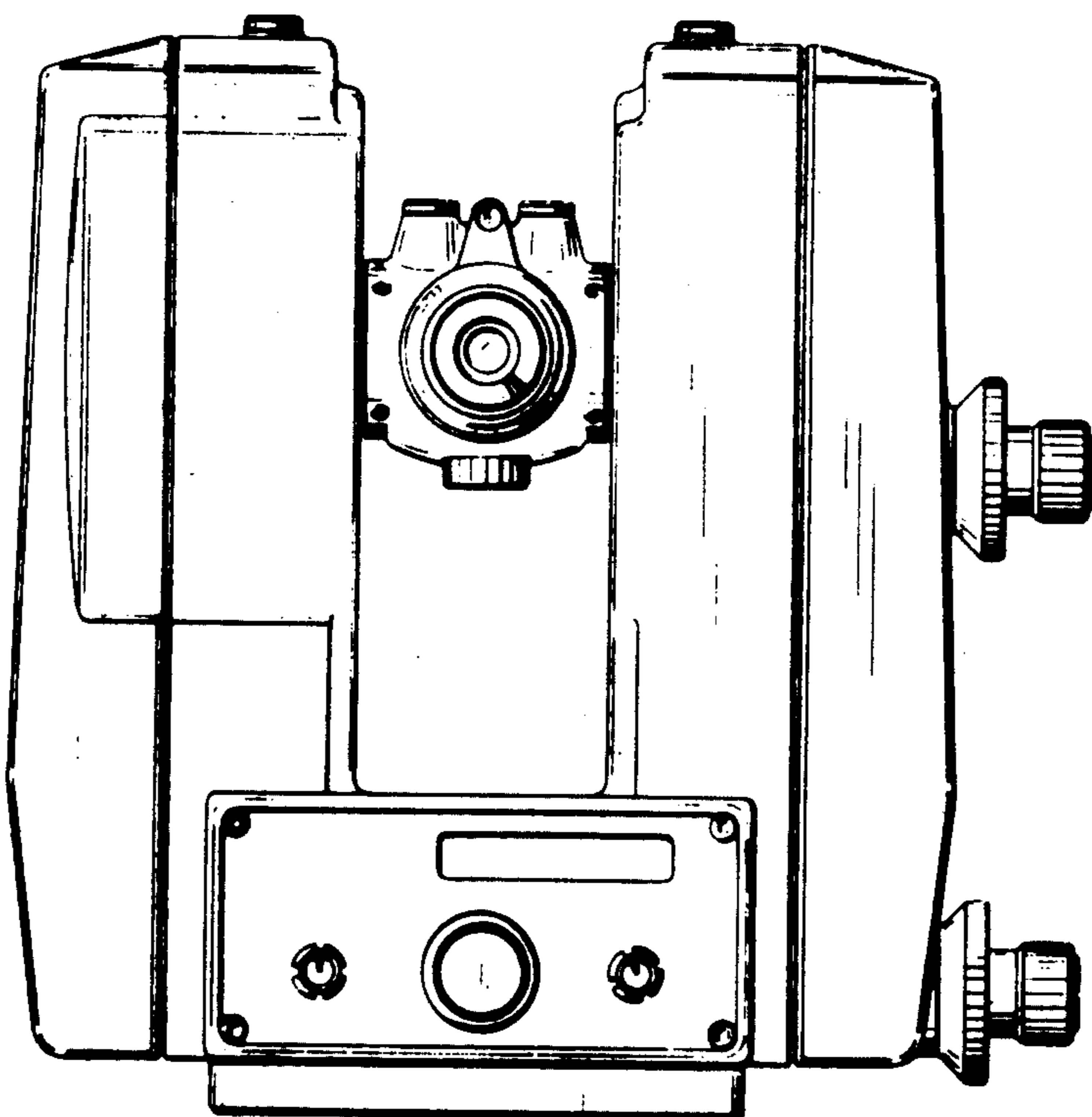
D. 162,370 3/1951 Baker D10/66
D. 166,506 4/1952 Sprengnether D10/66

FIG. 2 is a rear elevational view thereof;

FIG. 3 is a top plan view thereof;

FIG. 4 is a front elevational view thereof; and

FIG. 5 is a right side elevational view thereof.



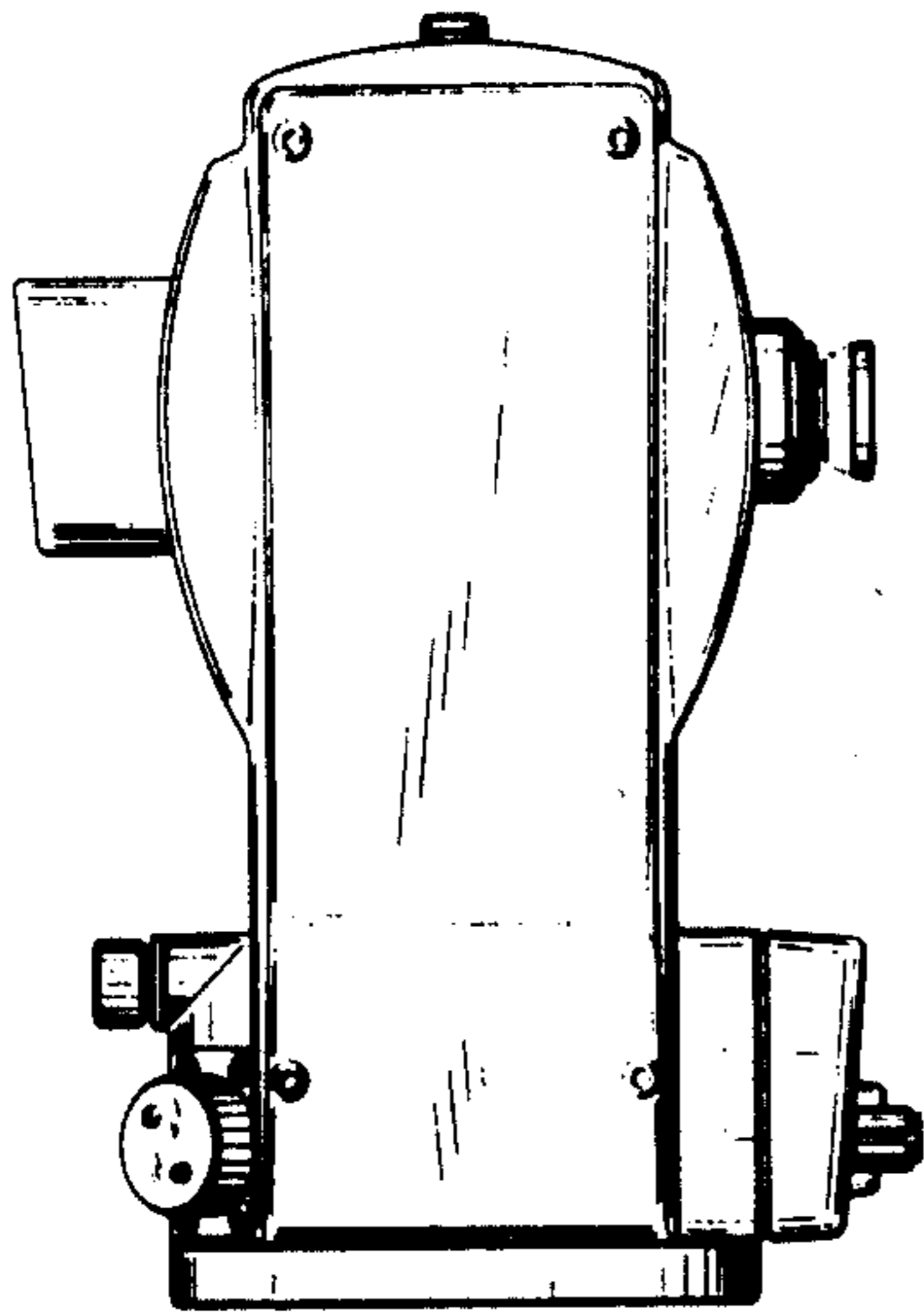


FIG. 1

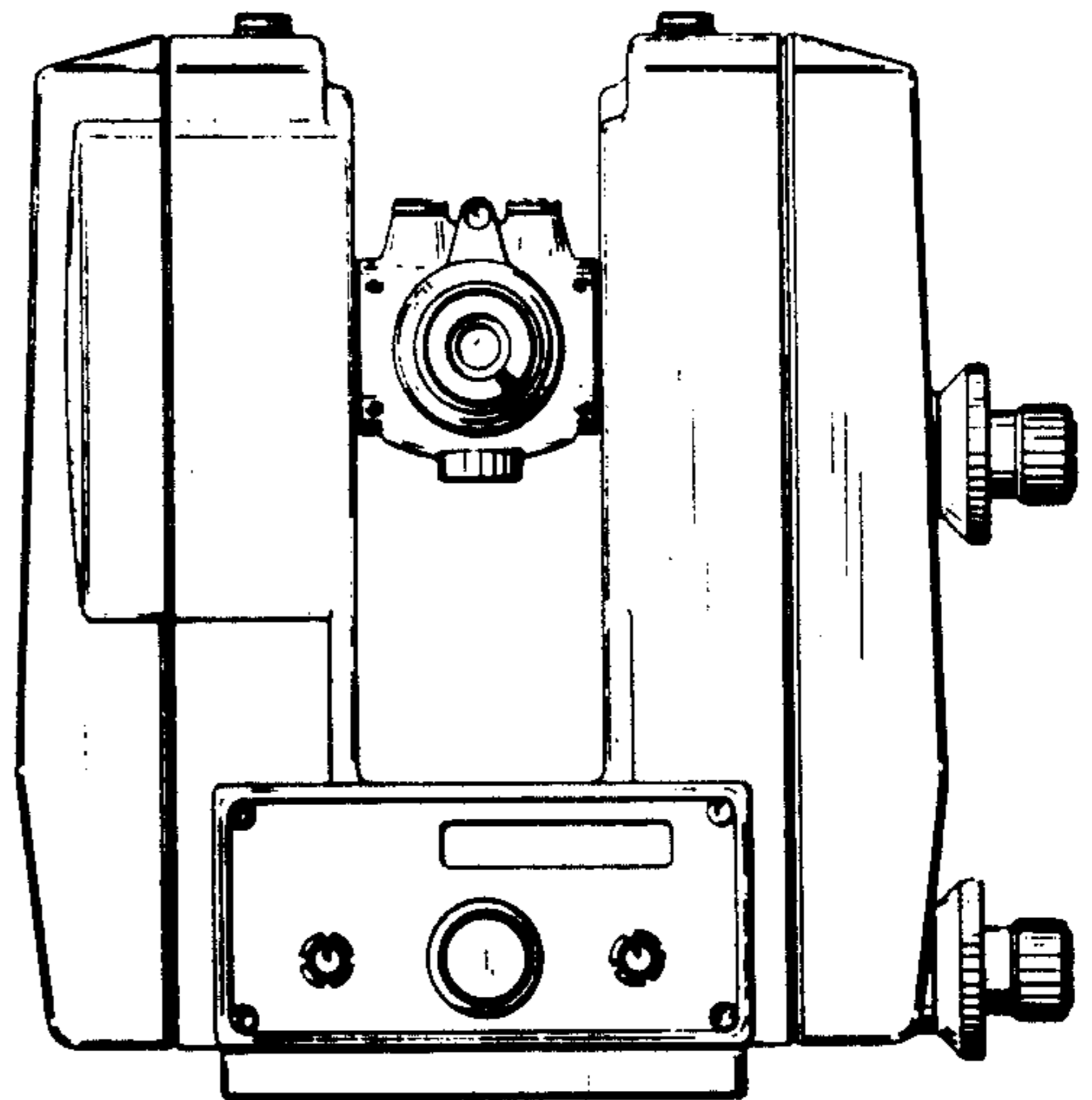


FIG. 2

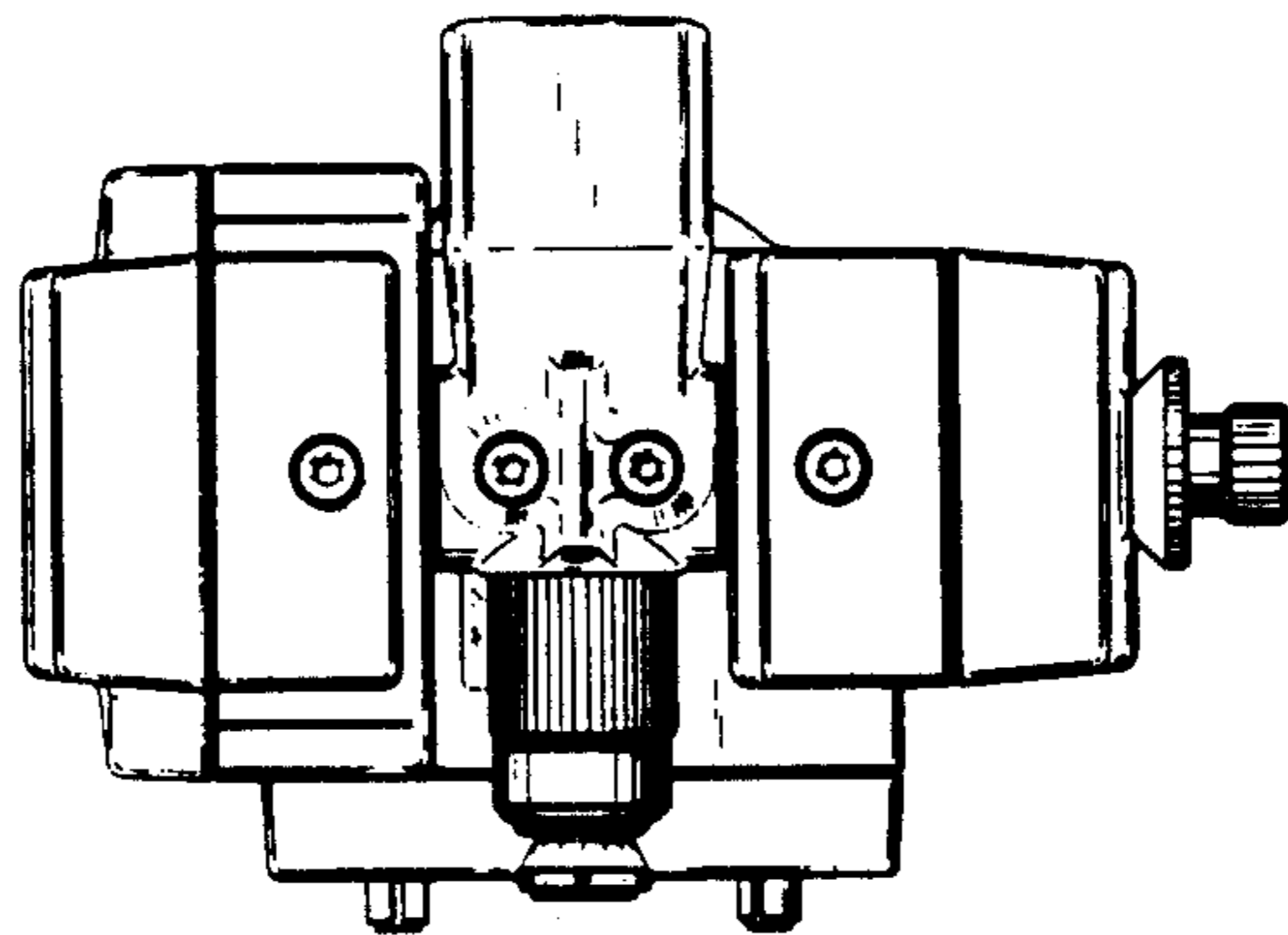


FIG. 3

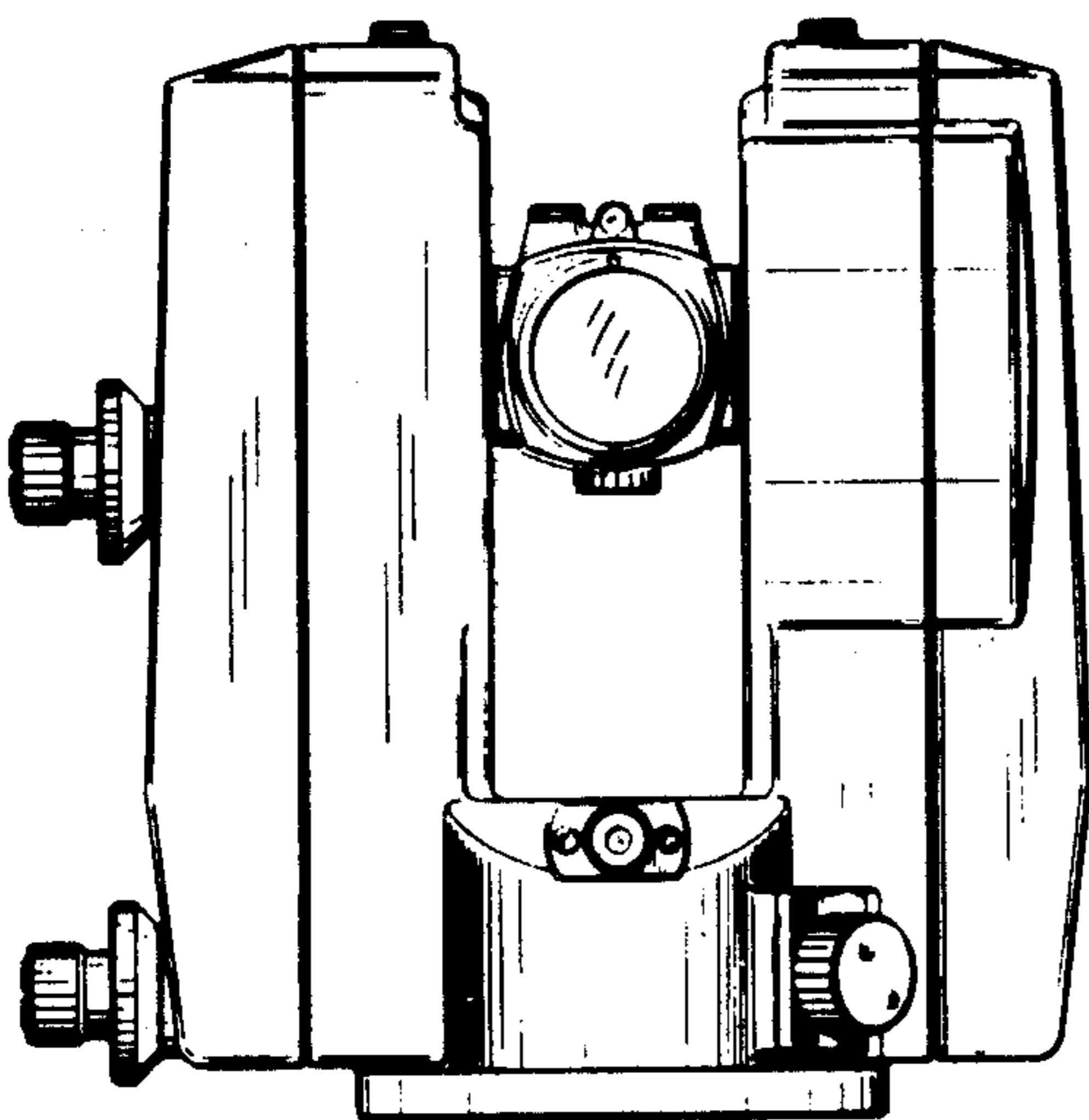


FIG. 4

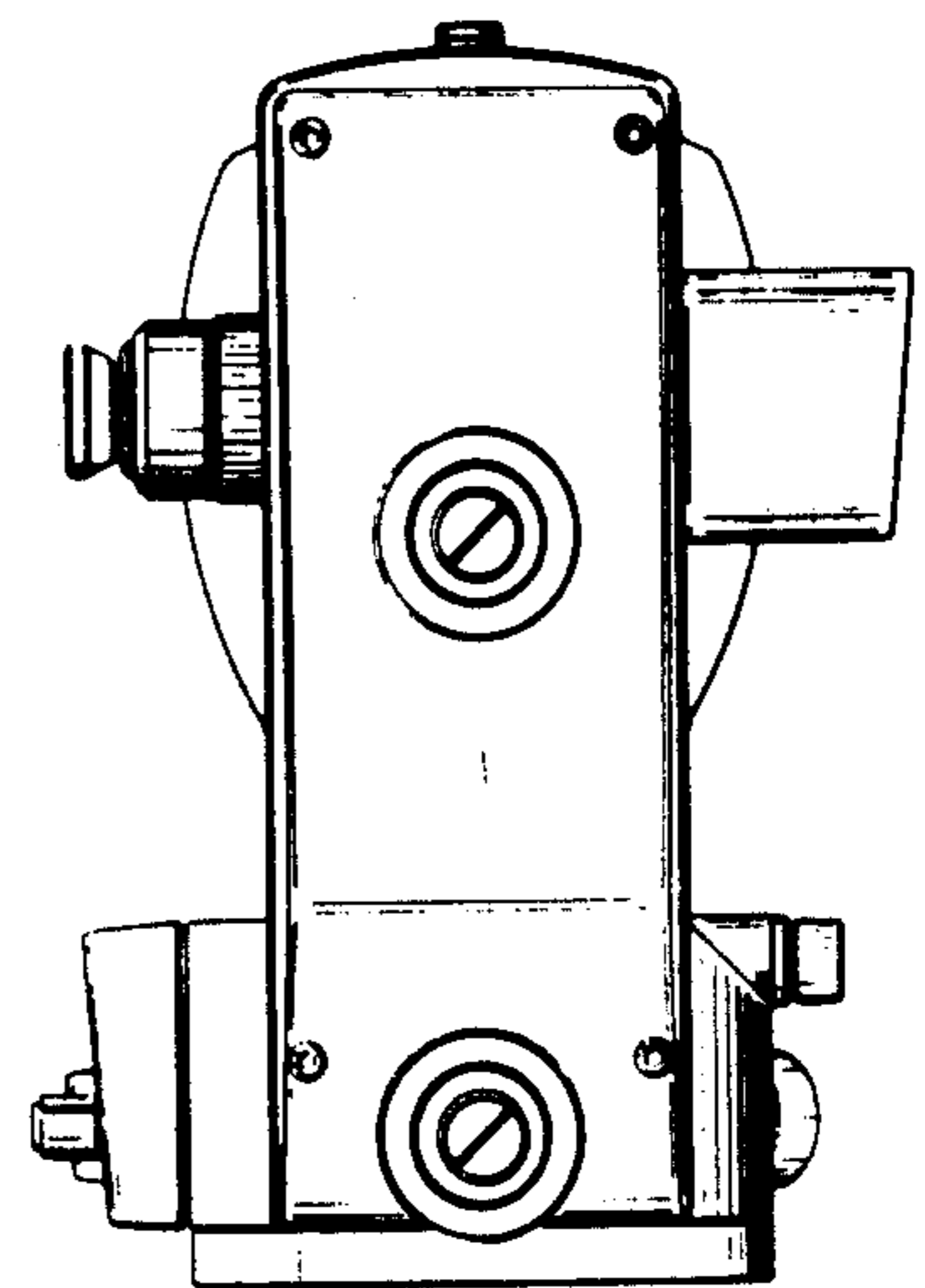


FIG. 5