

[54] DISPENSING CARTON FOR DEFORMABLE FILM OR THE LIKE

[76] Inventor: Hiromitsu Takai, 2-22, Katase 4-chome, Fujisawa-shi, Kanagawa-ken, Japan

[\*\*] Term: 14 Years

[21] Appl. No.: 751,356

[22] Filed: Dec. 16, 1976

[51] Int. Cl. .... D9-03

[52] U.S. Cl. .... D9/235

[58] Field of Search ..... 229/17 R-17 S, 229/10, 11, 7 R; 225/7, 48-51, 79-88; D9/222-240

[56] References Cited

U.S. PATENT DOCUMENTS

1,339,430	5/1920	White .....	229/6 R
1,887,912	11/1932	Begle .....	225/49
1,965,951	7/1934	Williams .....	229/8
4,009,811	3/1977	Takai .....	225/48 X

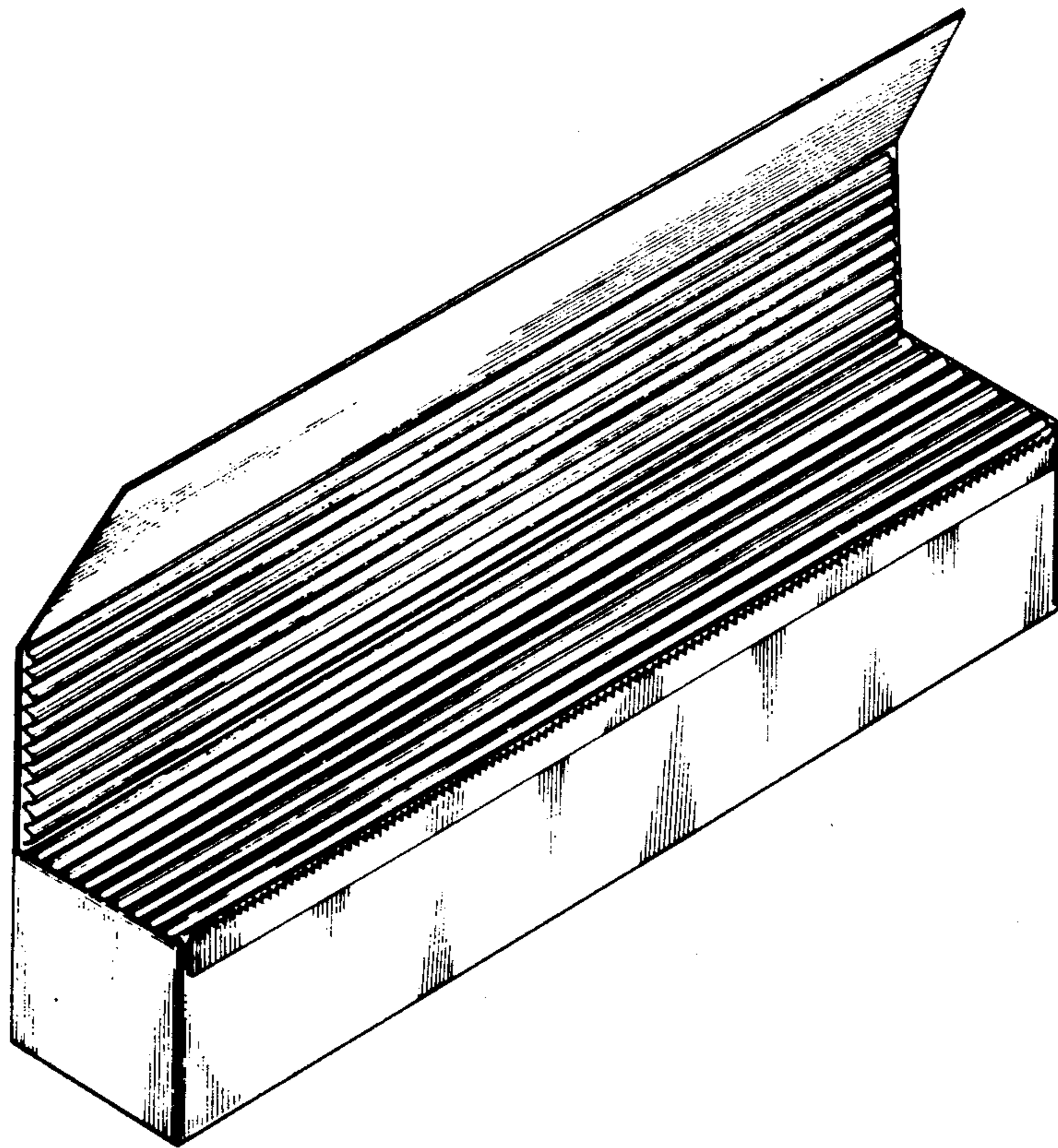
Primary Examiner—Robert C. Spangler  
Attorney, Agent, or Firm—J. Gibson Semmes

[57] CLAIM

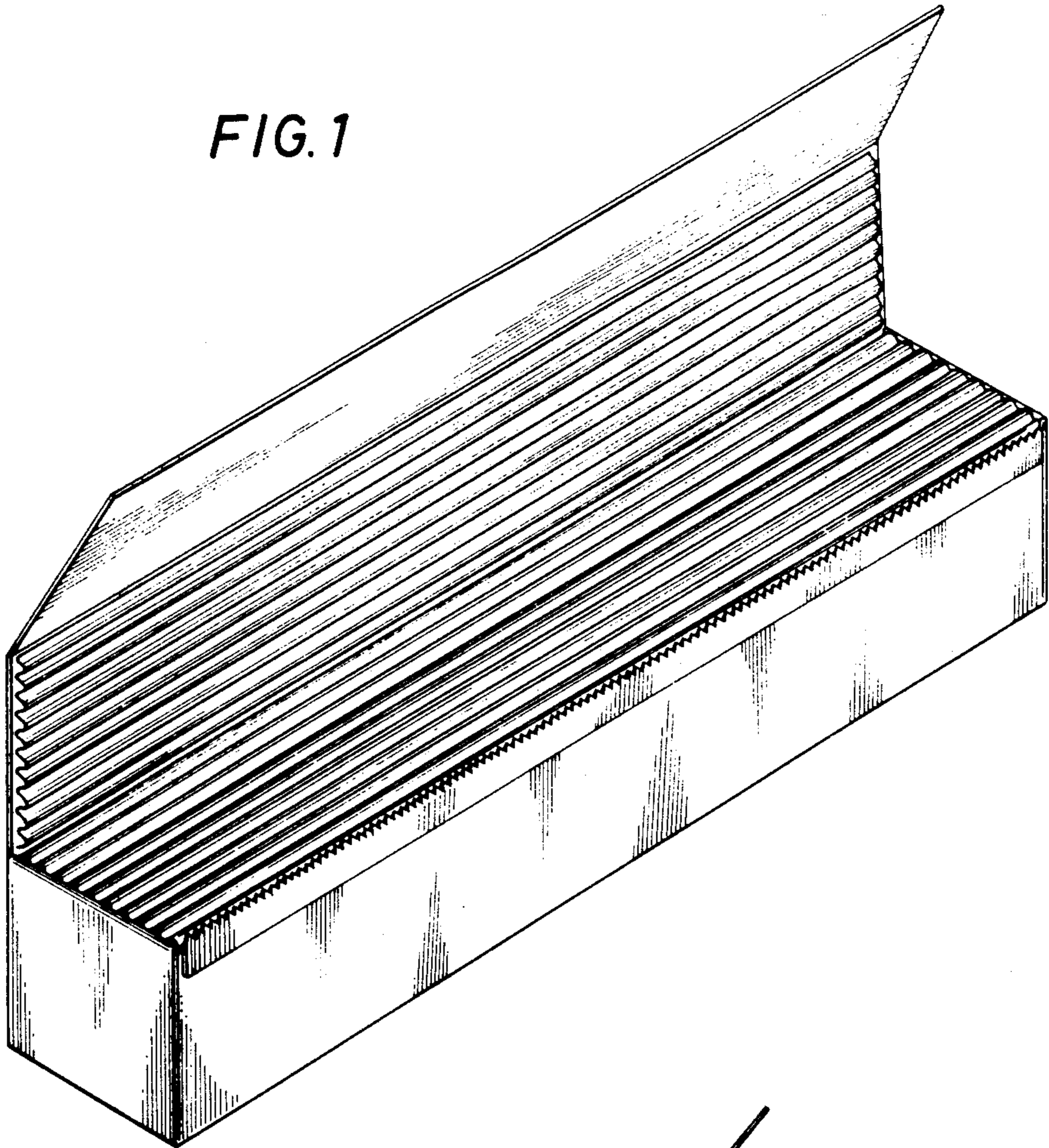
The ornamental design for a dispensing carton for deformable film or the like, as described.

DESCRIPTION

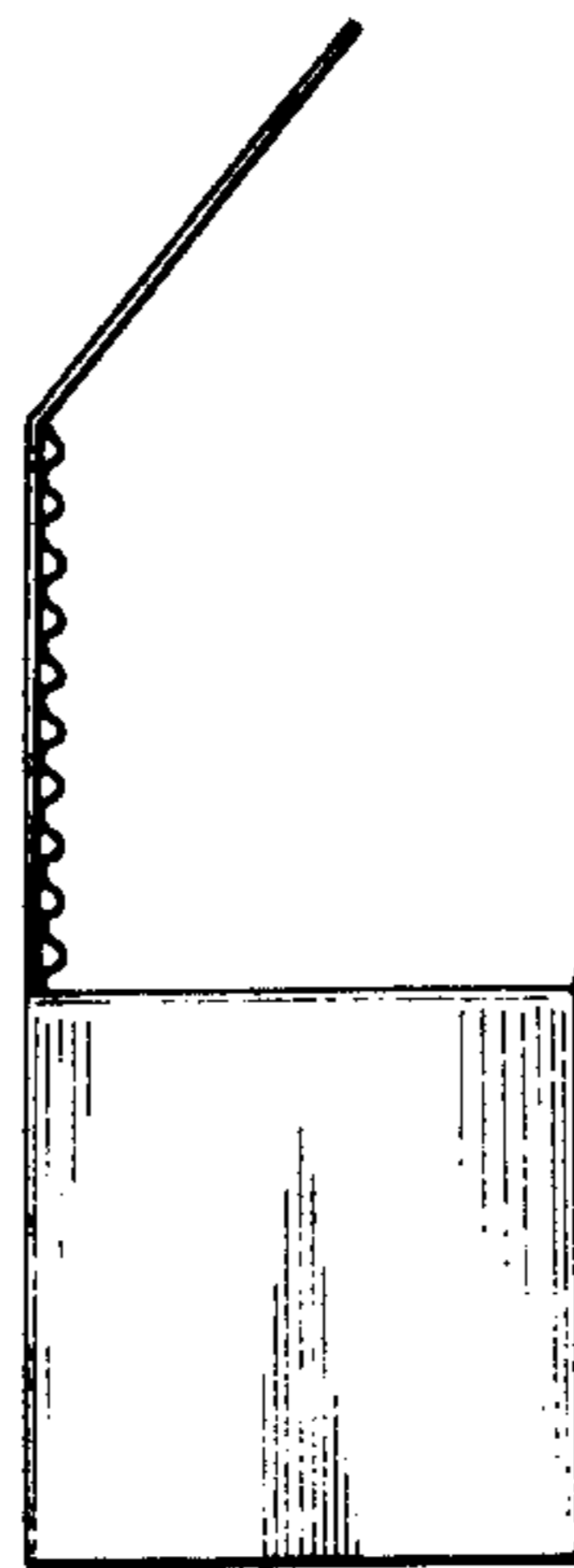
FIG. 1 is a front perspective view of a dispensing carton for deformable film or the like showing my new design, with the lid in an open position;  
FIG. 2 is a top plan view;  
FIG. 3 is a front elevational view;  
FIG. 4 is a bottom plan view;  
FIG. 5 is a rear elevational view; and  
FIG. 6 is a side elevational view thereof the opposite side being a mirror image of the side shown.



*FIG. 1*

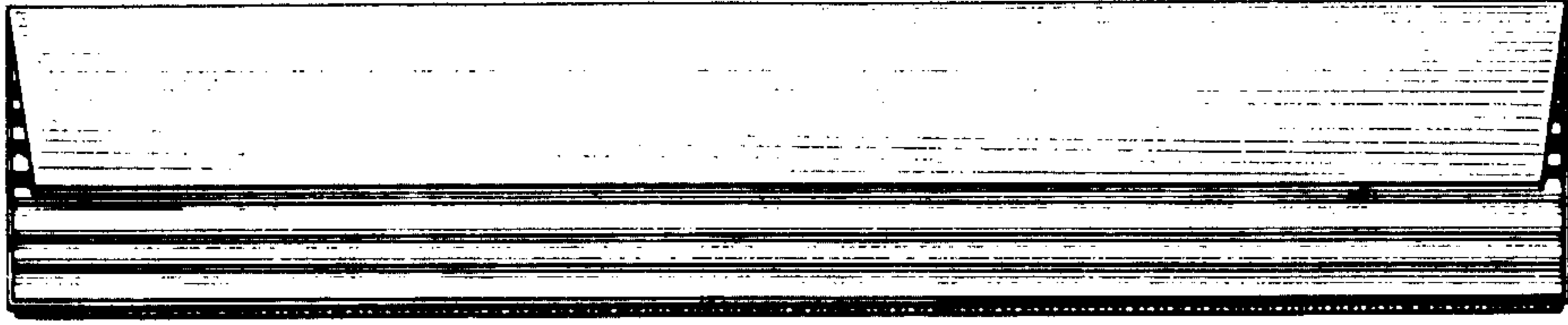


*FIG. 6*

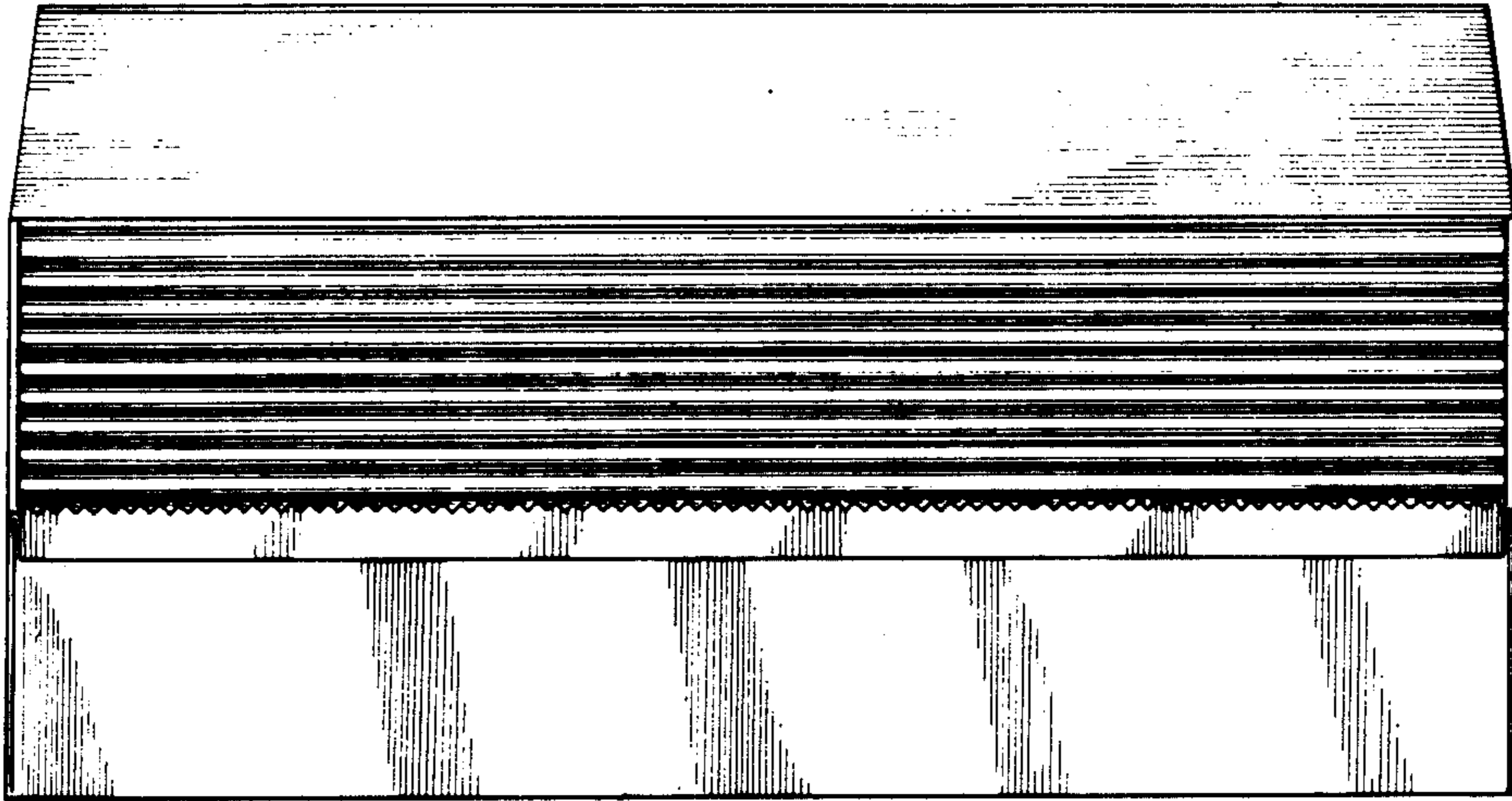




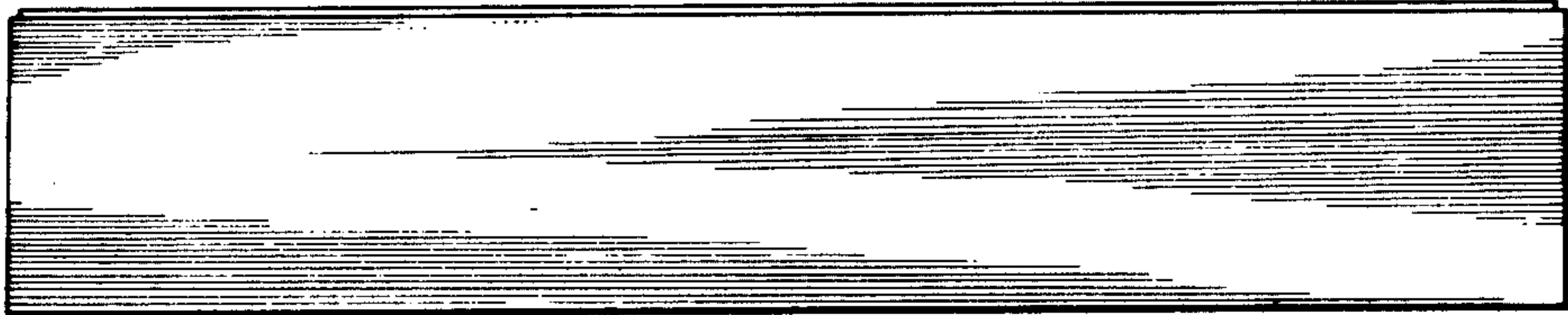
*FIG. 2*



*FIG. 3*



*FIG. 4*



*FIG. 5*

