

[54] SIDE HANDLE FOR GRASS TRIMMER
 [76] Inventor: **Joseph B. Allegretti**, 11645 Seminole Cir., Northridge, Calif. 91326

[**] Term: **14 Years**

[21] Appl. No.: **774,860**

[22] Filed: **Mar. 7, 1977**

[51] Int. Cl. **D12-16**

[52] U.S. Cl. **D8/107; D8/8; D12/70**

[58] Field of Search **D8/107, 310, 312, 8, D8/97; 16/110 R, 111 A, DIG. 38; 294/57, 58; D12/70; 30/DIG. 5; D15/18**

[56] **References Cited**

U.S. PATENT DOCUMENTS

D. 152,760 2/1949 Weaver D8/97
 D. 209,222 11/1967 Batson D8/8

D. 230,960 3/1974 Peroni D12/70
 D. 234,289 2/1975 Haynes D8/8
 3,086,596 4/1963 Allegretti et al. 16/110 R
 3,705,674 12/1972 Fisher D8/107 UX
 3,799,416 3/1974 Schmaltz D8/107 UX

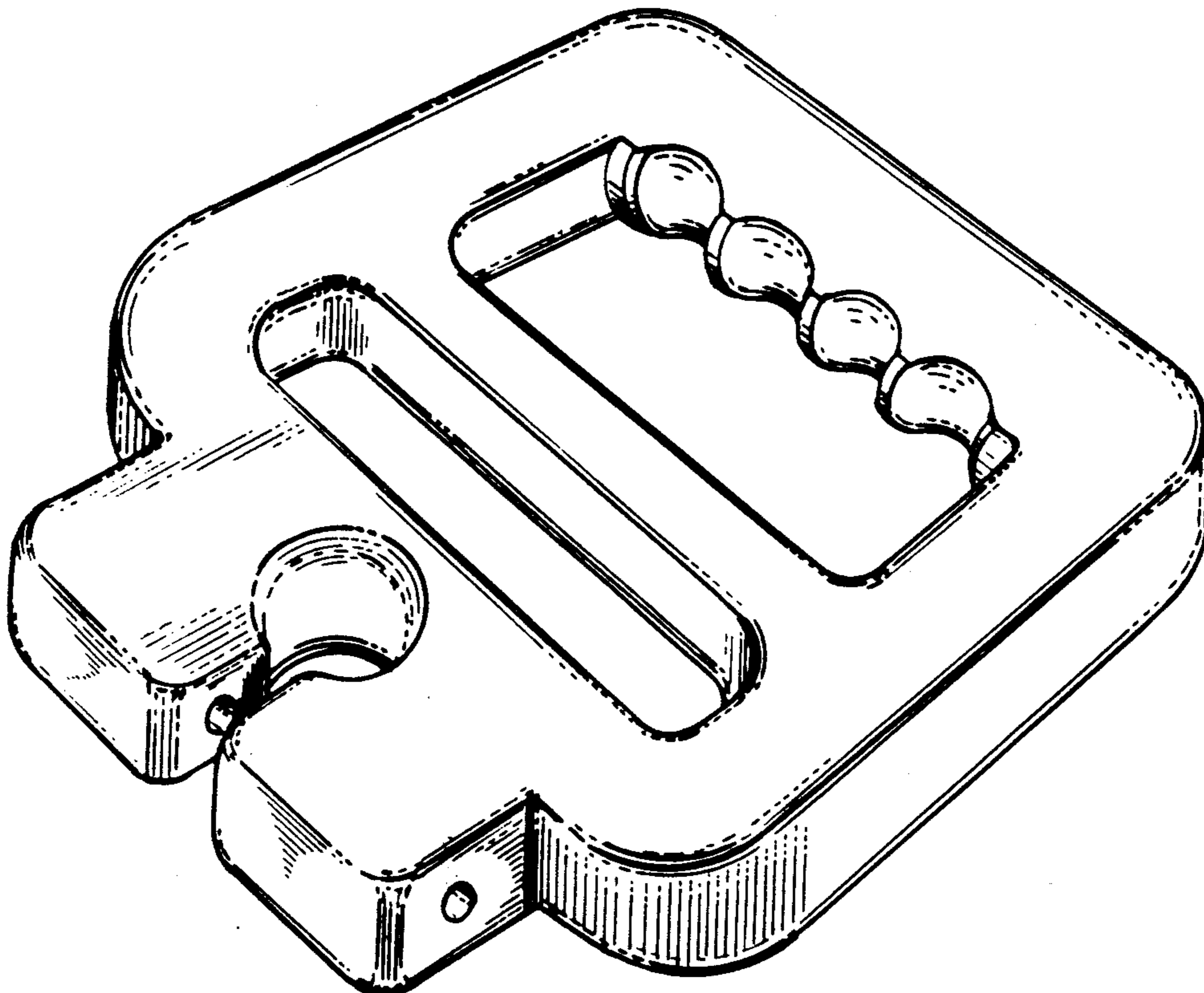
Primary Examiner—Bernard Ansher
Attorney, Agent, or Firm—John D. Bauersfeld

[57] **CLAIM**

The ornamental design for a side handle for grass trimmer, substantially as shown and described.

DESCRIPTION

FIG. 1 is a top perspective view of a side handle for grass trimmer embodying my new design;
 FIG. 2 is a bottom plan view thereof;
 FIG. 3 is a side elevational view as viewed from the left in FIG. 1; and
 FIG. 4 is a front end elevational view as seen from the top in FIG. 1.



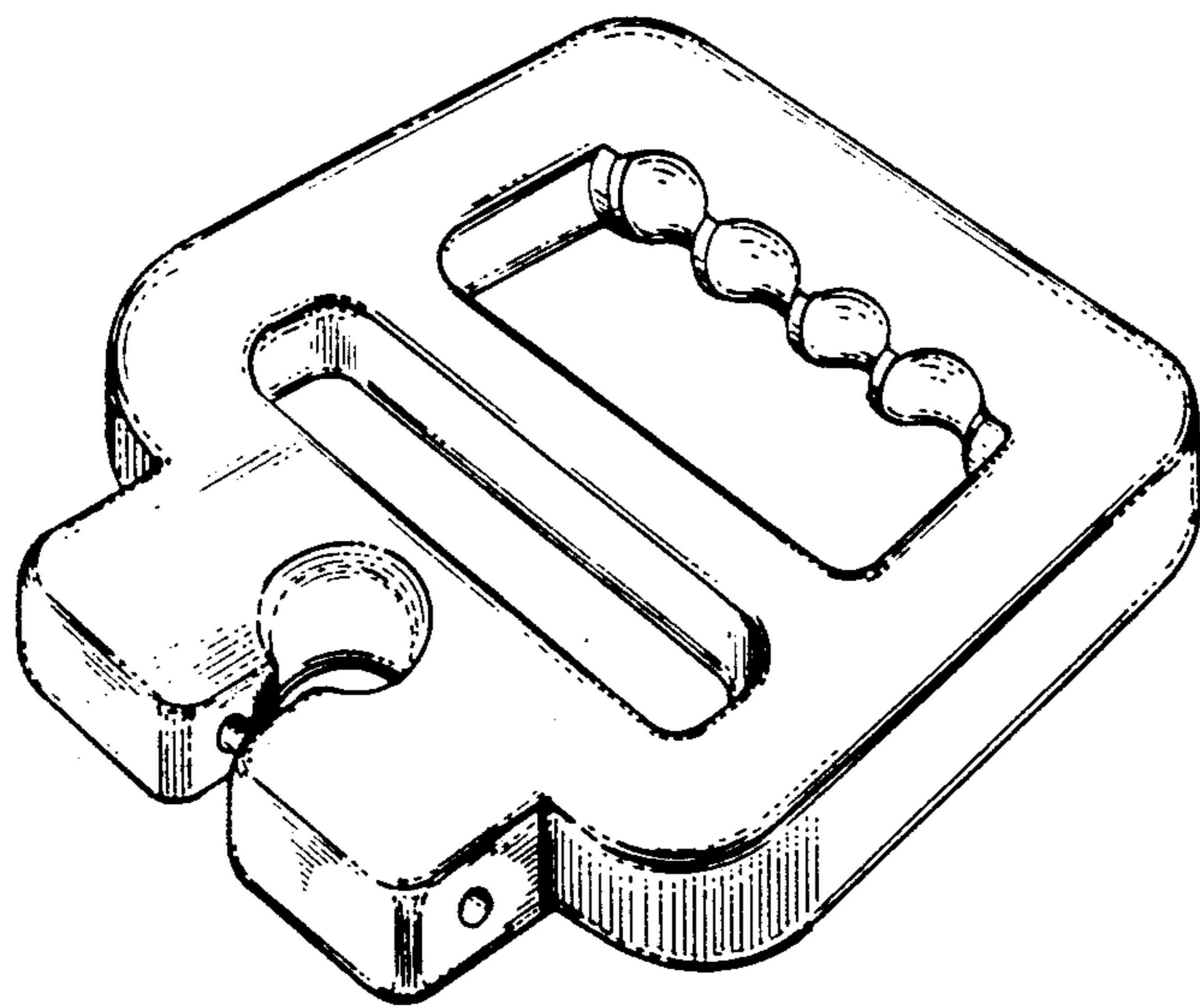


Fig. 1

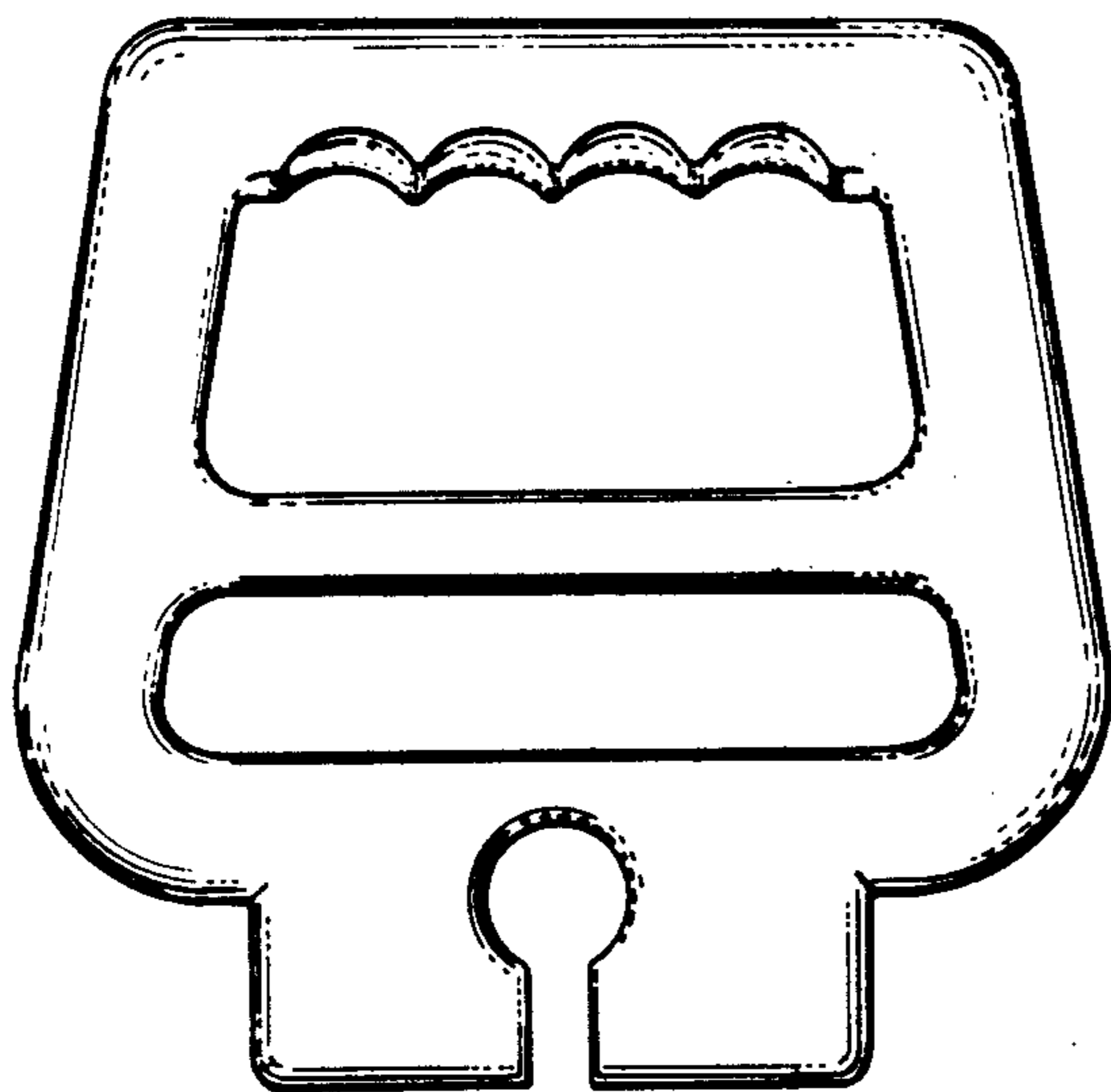


Fig. 2

Fig. 3

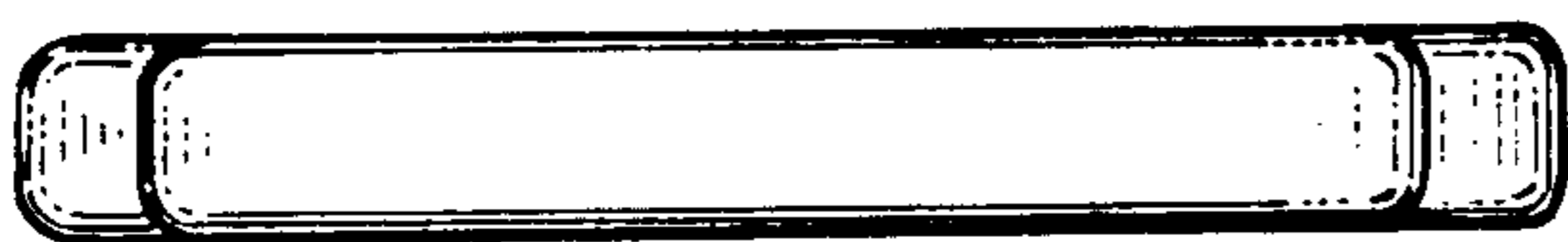


Fig. 4