

[54] ELECTRIC COOKING UTENSIL

[75] Inventor: Robert J. Scott, Blue Springs, Mo.

[73] Assignee: Rival Manufacturing Company, Kansas City, Mo.

[**] Term: 14 Years

[21] Appl. No.: 704,091

[22] Filed: Jul. 9, 1976

[51] Int. Cl. D7-02

[52] U.S. Cl. D7/94

[58] Field of Search D7/41, 99, 85, 86, 87, D7/88, 89, 90, 94, 95, 96, 97, 121, 122, 123, 124

[56] References Cited

U.S. PATENT DOCUMENTS

D. 199,748	12/1964	De Fano	D7/94
D. 207,861	6/1967	Felake	D7/94
D. 221,095	7/1971	Tevolitz	D7/94
2,405,984	8/1946	Sharpe	D7/85 X

OTHER PUBLICATIONS

Institutions Magazine, Jul. 1963, p. 50, top right panel, Corning Food Service Center.

Giant Showcase Gifts Jewelry Cat. 75-76, p. 263, item #A-West Bend Sq Party Skillet, top panel, lower left item.

Primary Examiner—Winifred E. Herrmann
Attorney, Agent, or Firm—Claude W. Lowe

[57] CLAIM

The ornamental design for an electric cooking utensil, as shown and described.

DESCRIPTION

FIG. 1 is a perspective view of an electric cooking utensil showing my new design.

FIG. 2 is a front elevational view thereof;

FIG. 3 is a side elevational view thereof;

FIG. 4 is a rear elevational view thereof;

FIG. 5 is a top plan view thereof on a reduced scale;

FIG. 6 is a perspective view taken from the opposite sides thereof with respect to FIG. 1 and with the lid removed;

FIG. 7 is a top plan view on a reduced scale of the electric cooking utensil shown in FIG. 6; and

FIG. 8 is a side elevational view on an enlarged scale of the electric cooking utensil shown in FIG. 7.

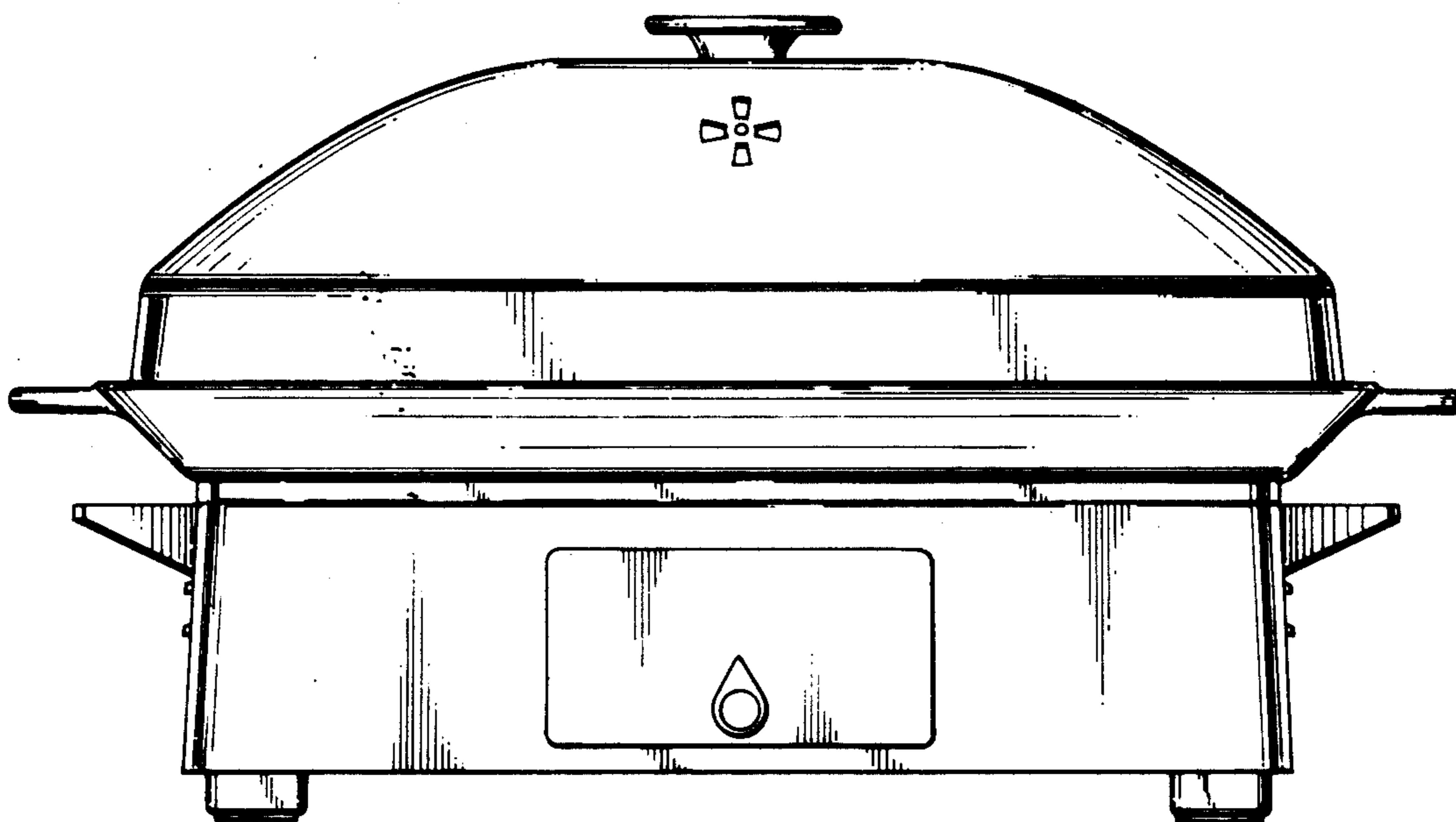


Fig. 1.

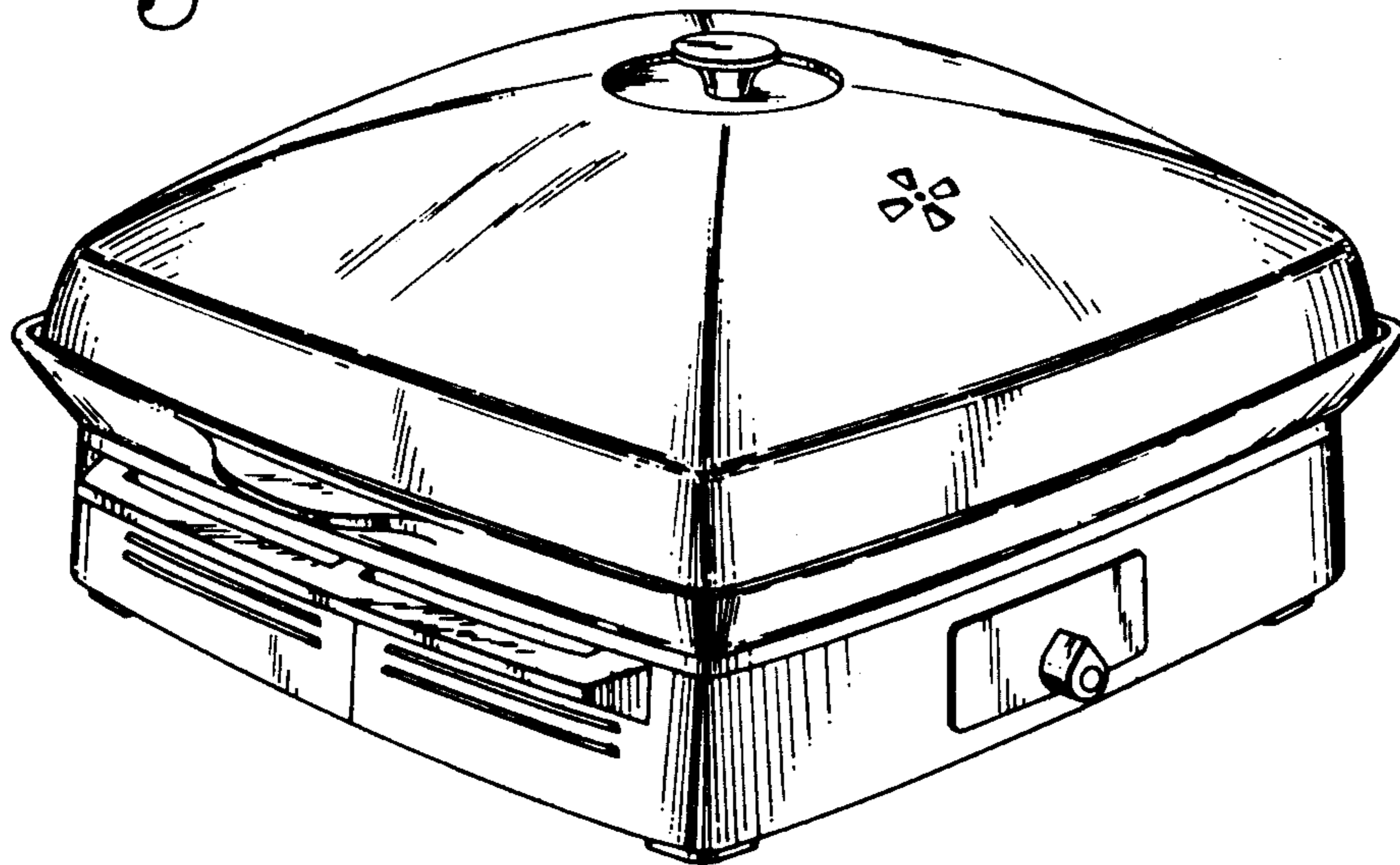
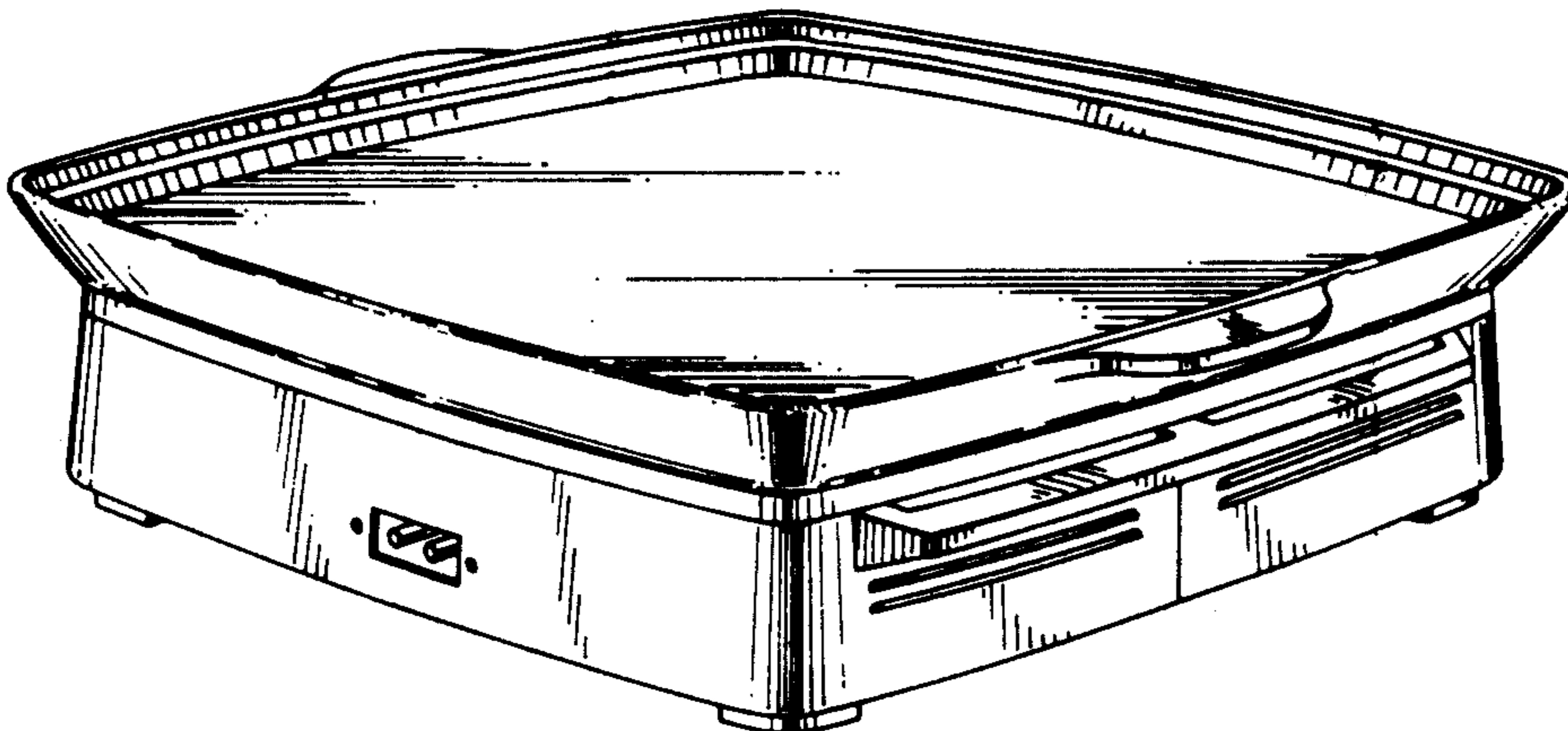


Fig. 6.



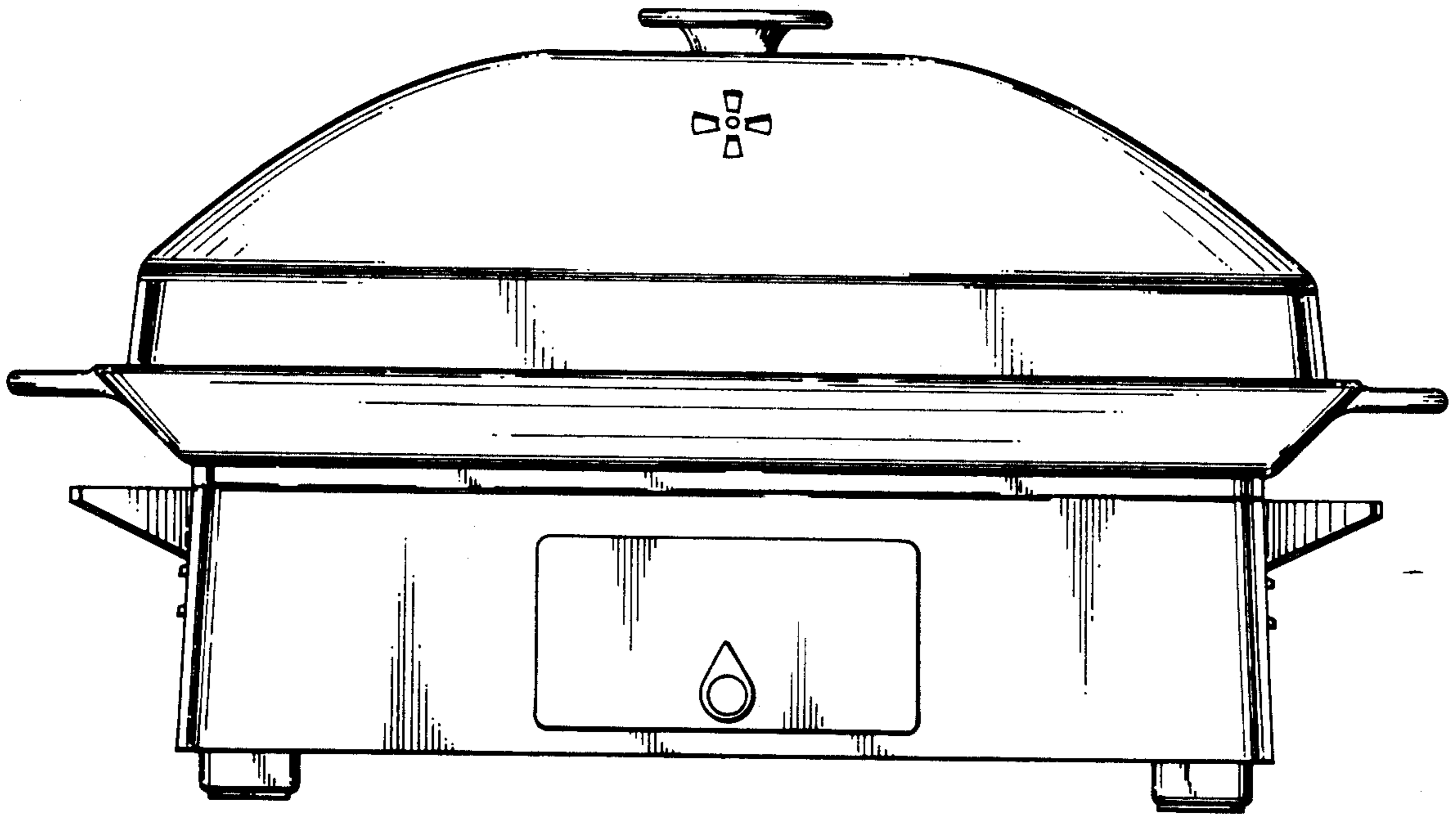


Fig. 2.

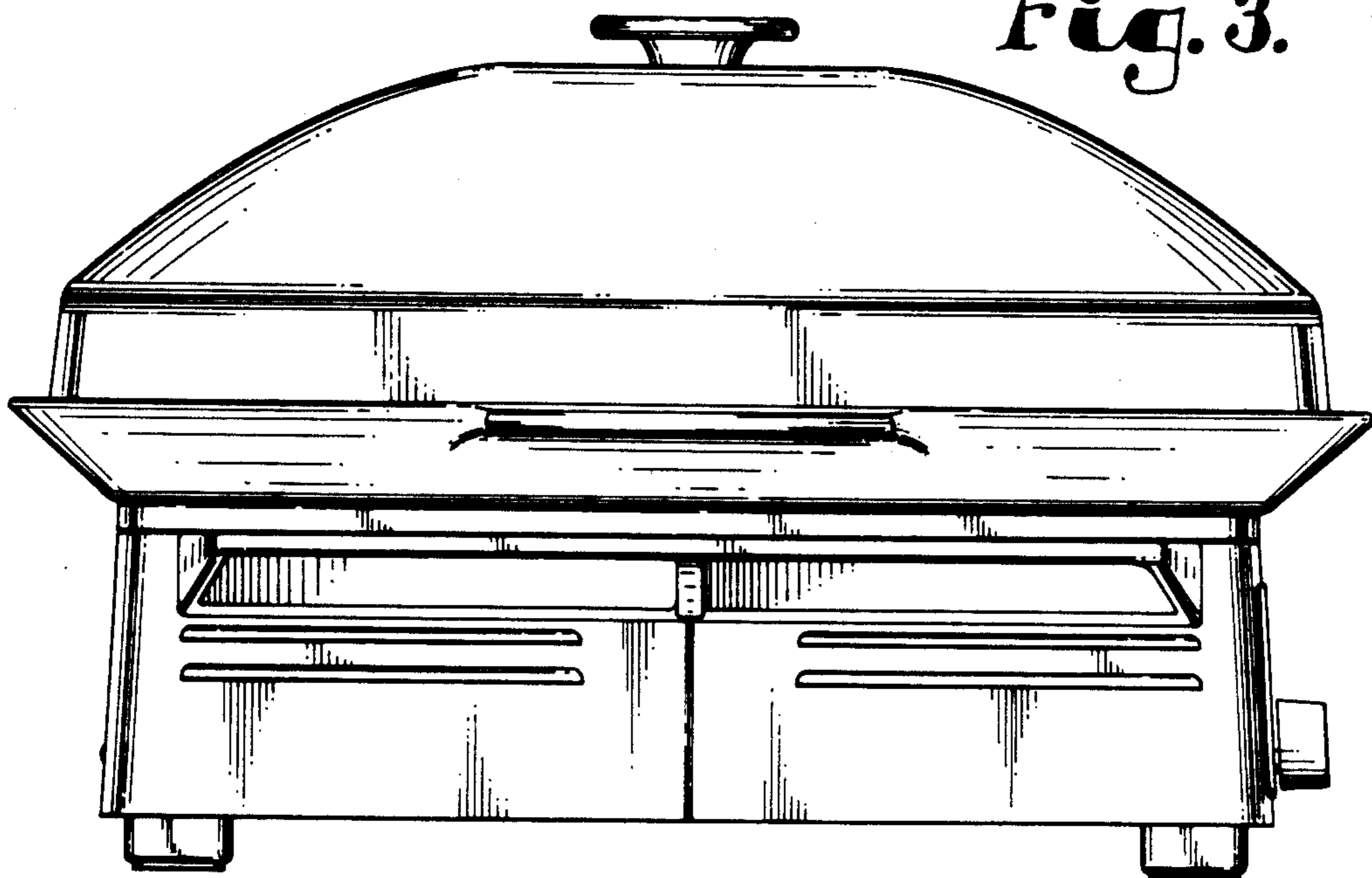


Fig. 3.

Fig. 4.

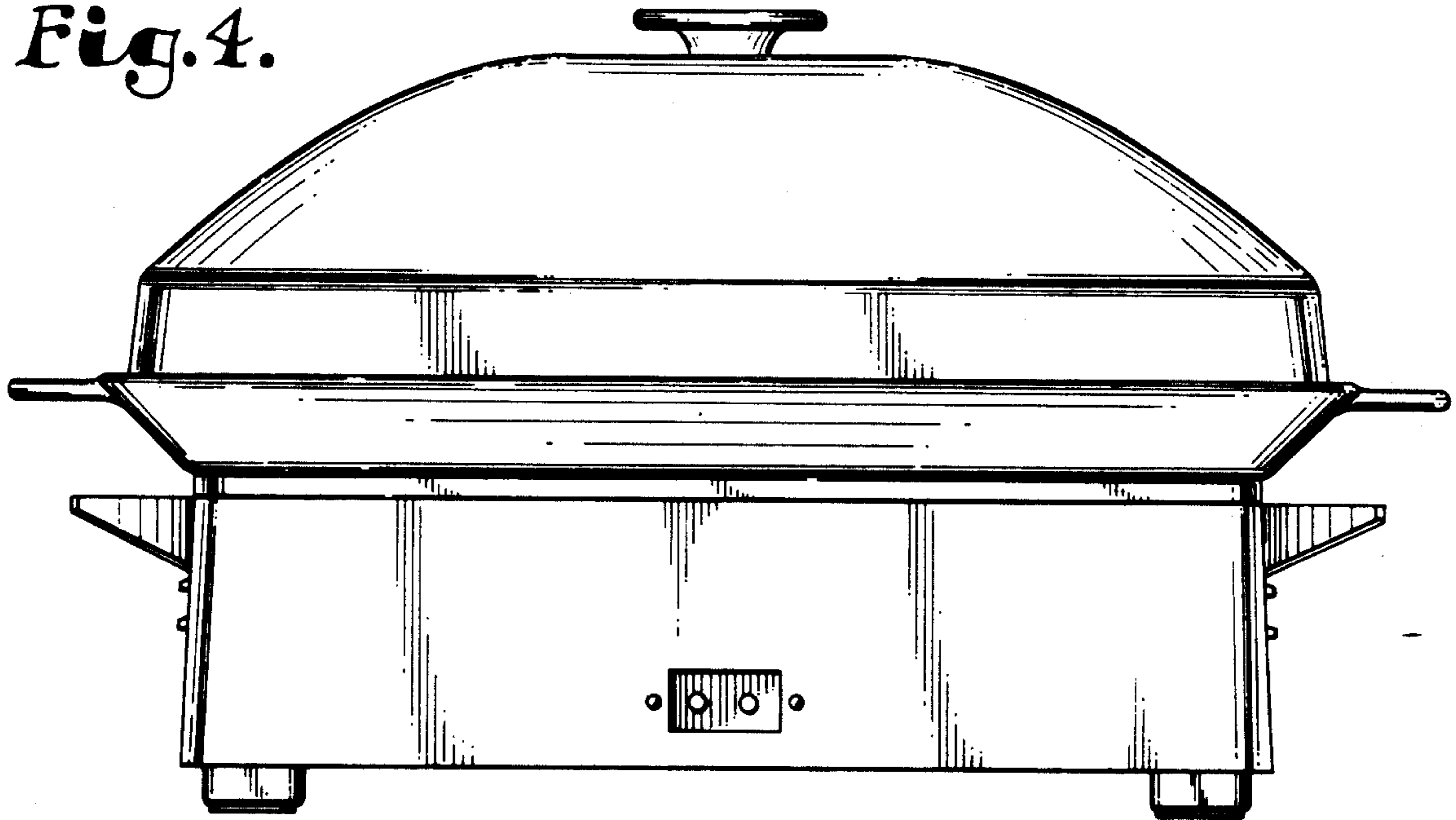
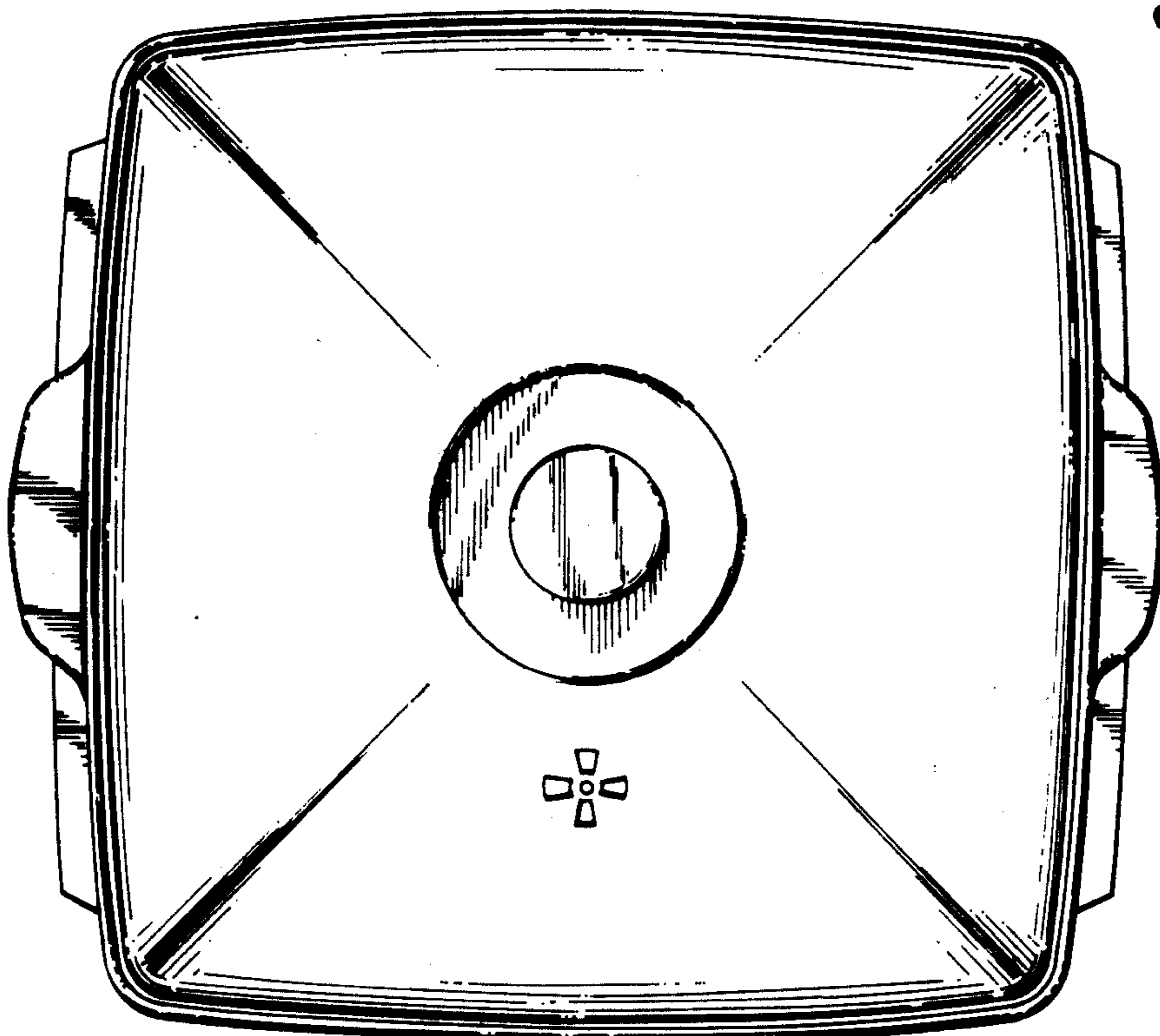


Fig. 5.



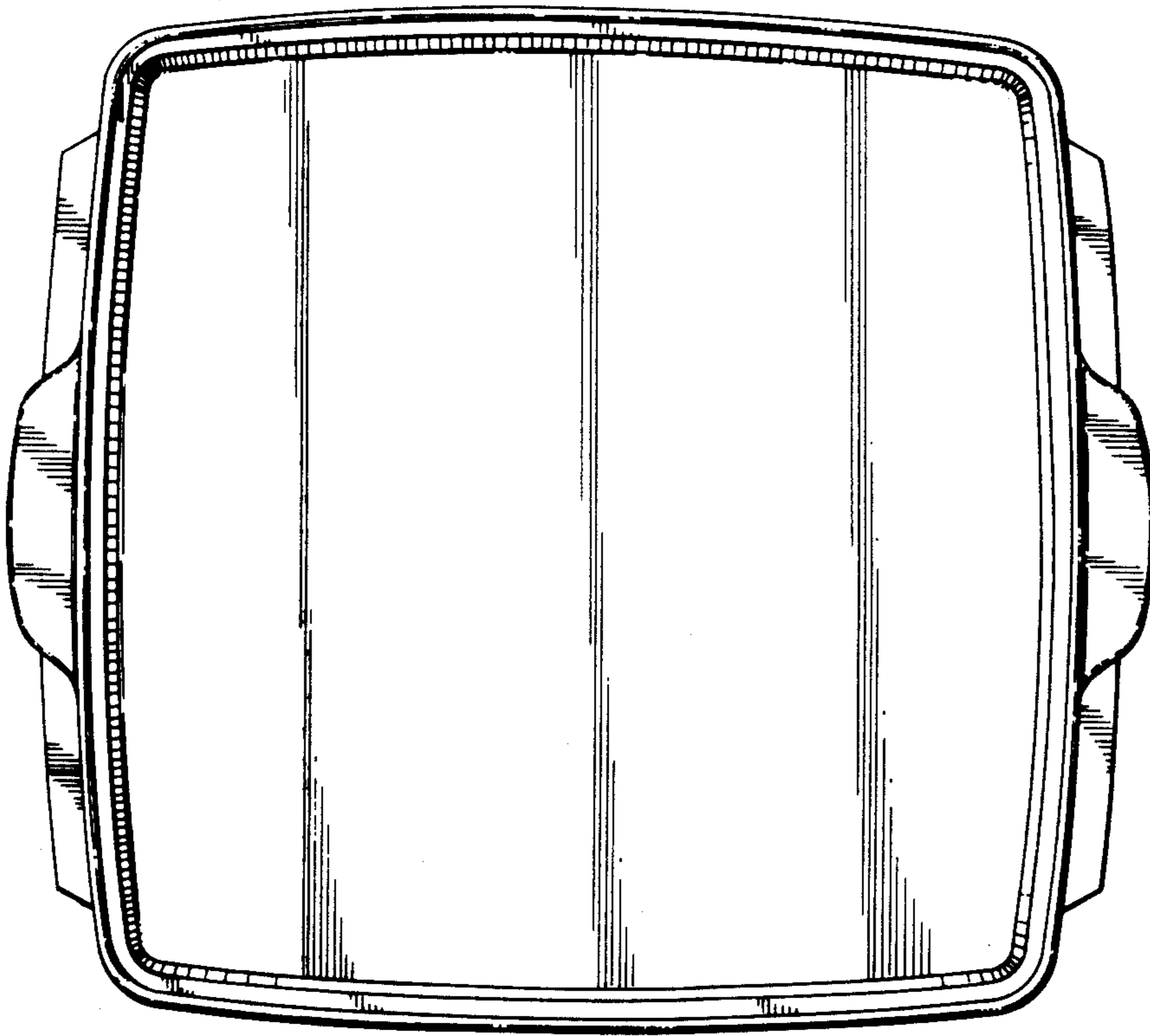


Fig. 7.

Fig. 8.

