

[54] COMBINED DISPLAY AND STORAGE UNIT

[75] Inventor: Gladys Albert, 56-40 Oceania St., Bayside, N.Y. 11364

[73] Assignee: Gladys Albert

[**] Term: 7 Years

[21] Appl. No.: 833,660

[22] Filed: Sep. 16, 1977

[51] Int. Cl. D6-04

[52] U.S. Cl. D6/129; D6/99; D6/135; D6/136; D6/158; D6/186

[58] Field of Search D6/114, 129, 130, 132, D6/136, 158, 159, 160, 166, 186, 91, 99, 135; 312/245, 330 R, 330 SM; 211/87, 90, 135

[56]

References Cited

U.S. PATENT DOCUMENTS

D. 32,184	1/1900	Hurt et al.	D6/129
D. 171,330	1/1954	Greenlee	D6/99
D. 215,550	10/1969	Nichols	D6/135
3,741,450	6/1973	Seastrom	312/245

FOREIGN PATENT DOCUMENTS

1386984	12/1964	France	211/135
---------	---------	--------------	---------

Primary Examiner—Wallace R. Burke

Assistant Examiner—B. J. Bullock

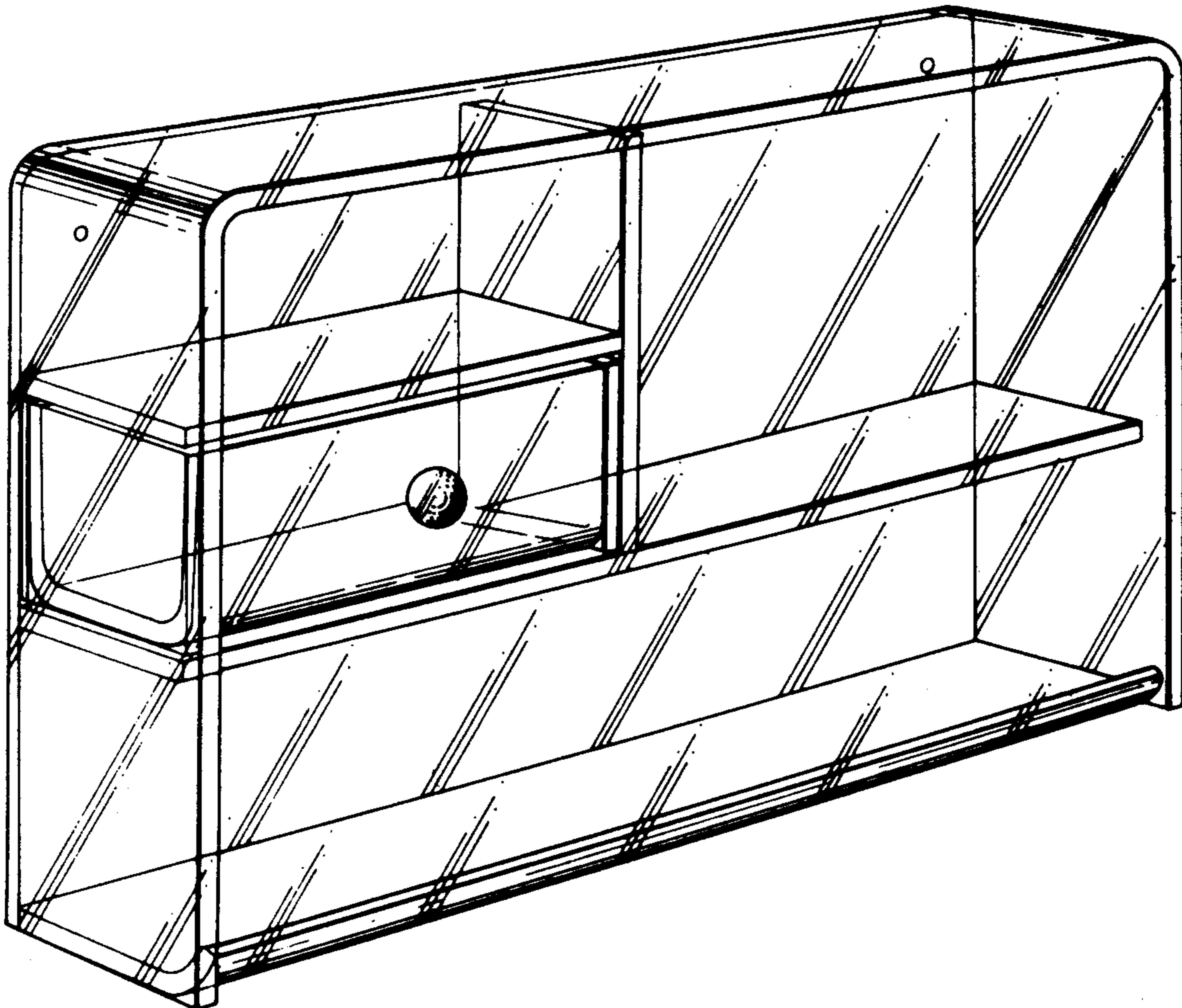
[57]

CLAIM

The ornamental design for a combined display and storage unit, as shown and described.

DESCRIPTION

FIG. 1 is a perspective view of a combined display and storage unit showing my new design; FIG. 2 is a top plan view of FIG. 1; FIG. 3 is a side elevational view of a second embodiment of the design of FIG. 1, the only difference being the substitution of a towel bar for the bottom shelf.



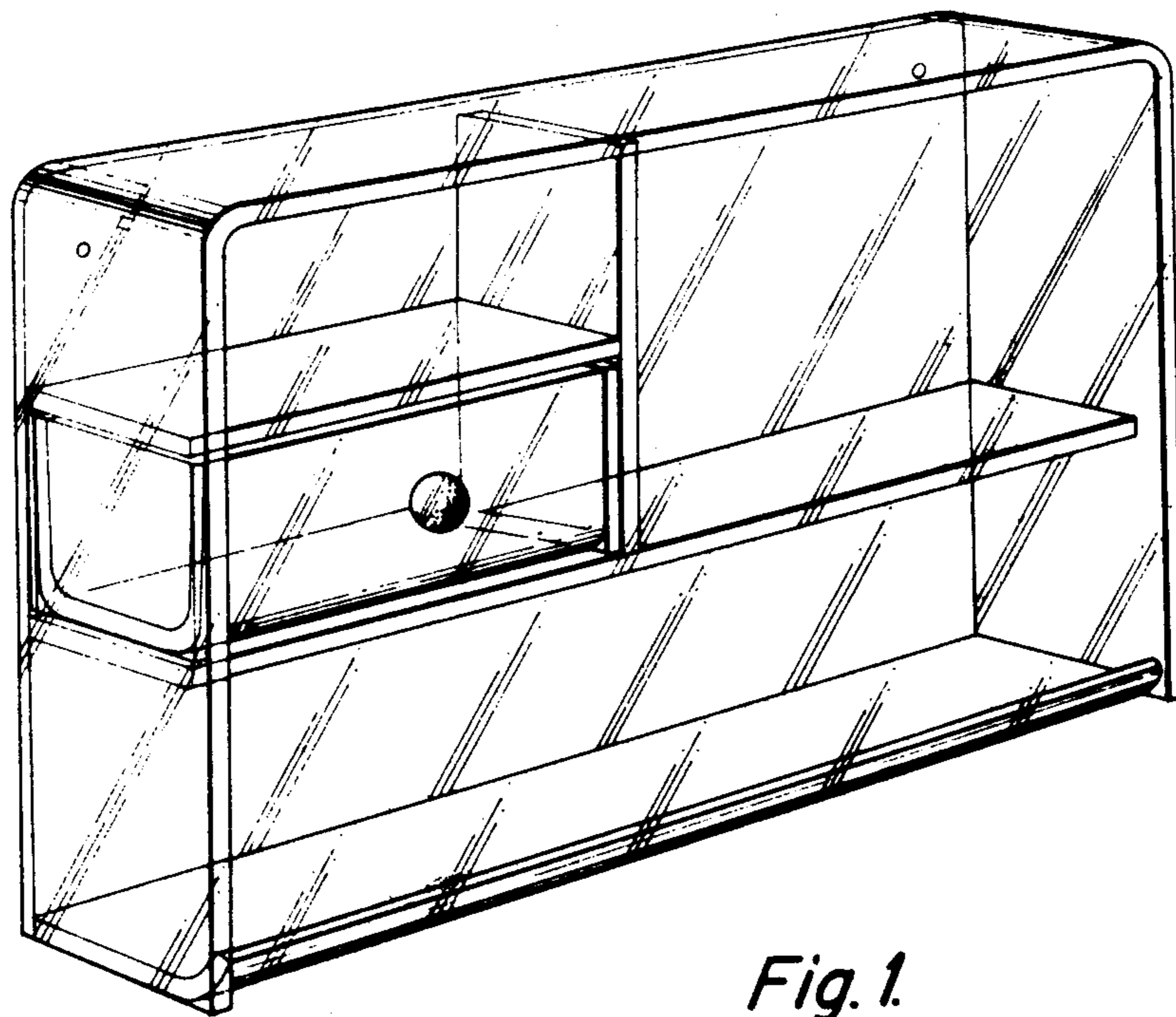


Fig. 1.

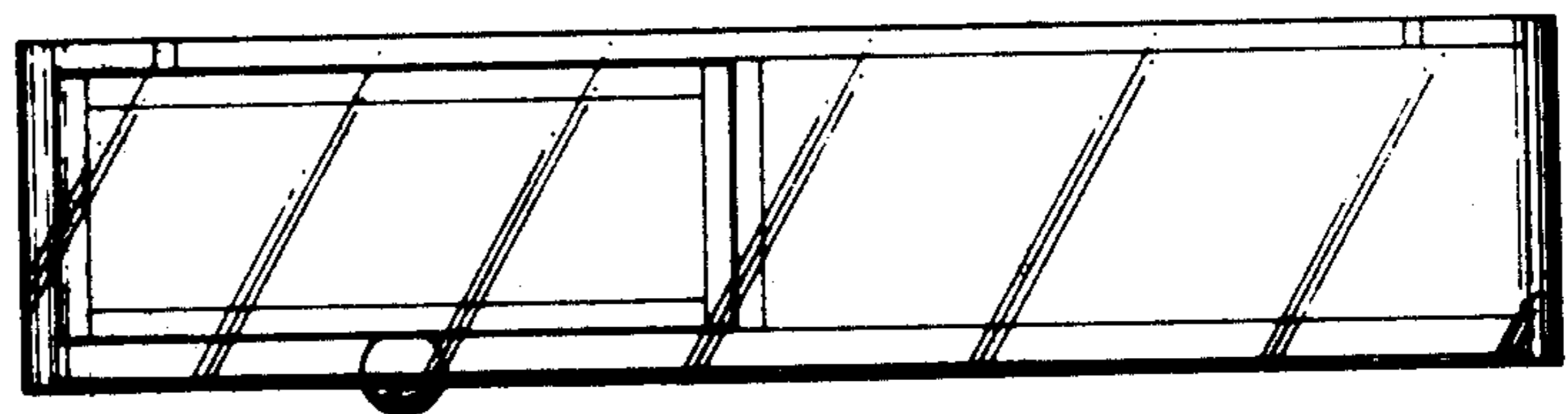


Fig. 2.

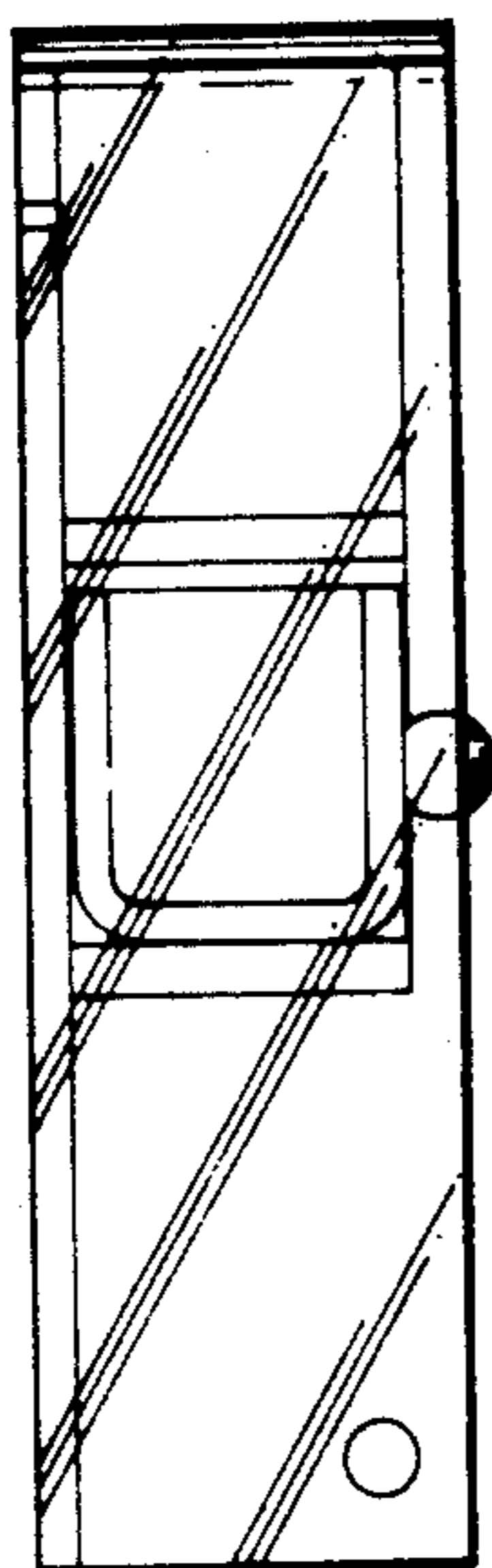


Fig. 3.