

[54] ROTATABLE FINGER RING DISPLAY STAND

[75] Inventor: Thomas A. Newman, Cranston, R.I.

[73] Assignee: McGrath-Hamin, Inc., Providence, R.I.

[**] Term: 14 Years

[21] Appl. No.: 859,718

[22] Filed: Dec. 12, 1977

[51] Int. Cl. D20-02

[52] U.S. Cl. D6/28; D6/85; D6/141; D6/157

[58] Field of Search D6/19, 20, 27-29, D6/85, 141, 146, 157, 180, 181, 186, 188; 206/566; 211/13, 60 R, 60 A, 62, 163, 181, 182; 248/146, 152, 153, 174-176, 450-451, 459-460

[56] References Cited

U.S. PATENT DOCUMENTS

D. 180,177	4/1957	Crisafi	D6/186
750,803	2/1904	Burnside	211/163
3,209,903	10/1965	Shiffman	206/566

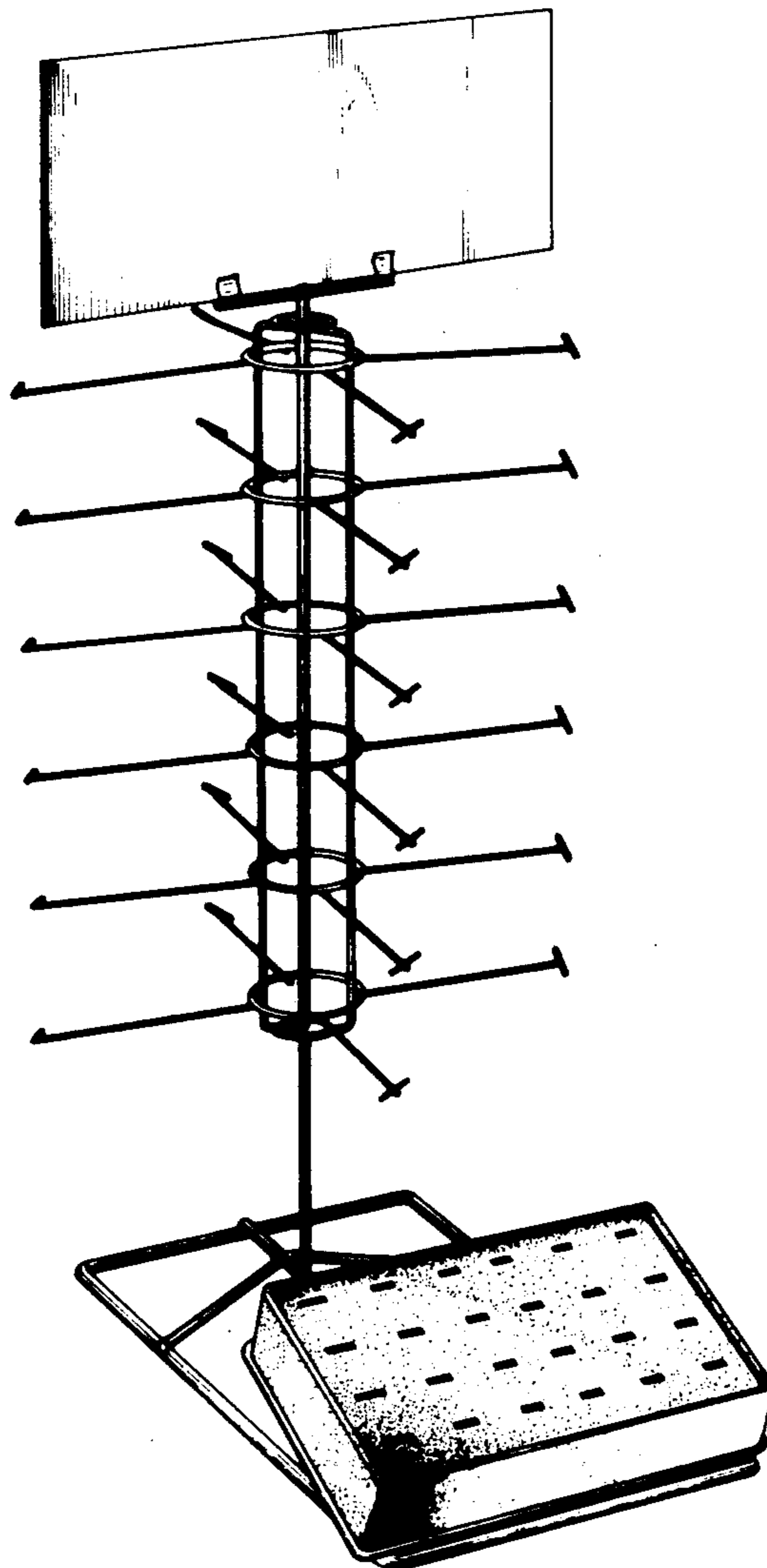
Primary Examiner—Wallace R. Burke
Assistant Examiner—B. J. Bullock
Attorney, Agent, or Firm—Elliot A. Salter

[57] CLAIM

The ornamental design for a rotatable finger ring display stand, substantially as shown.

DESCRIPTION

FIG. 1 is a front perspective view of a rotatable finger ring display stand showing my new design;
FIG. 2 is a bottom plan view, on an enlarged scale;
FIG. 3 is a top plan view of FIG. 2;
FIG. 4 is a side elevational view of FIG. 2, on a reduced scale;
FIG. 5 is a rear elevational view of FIG. 4.



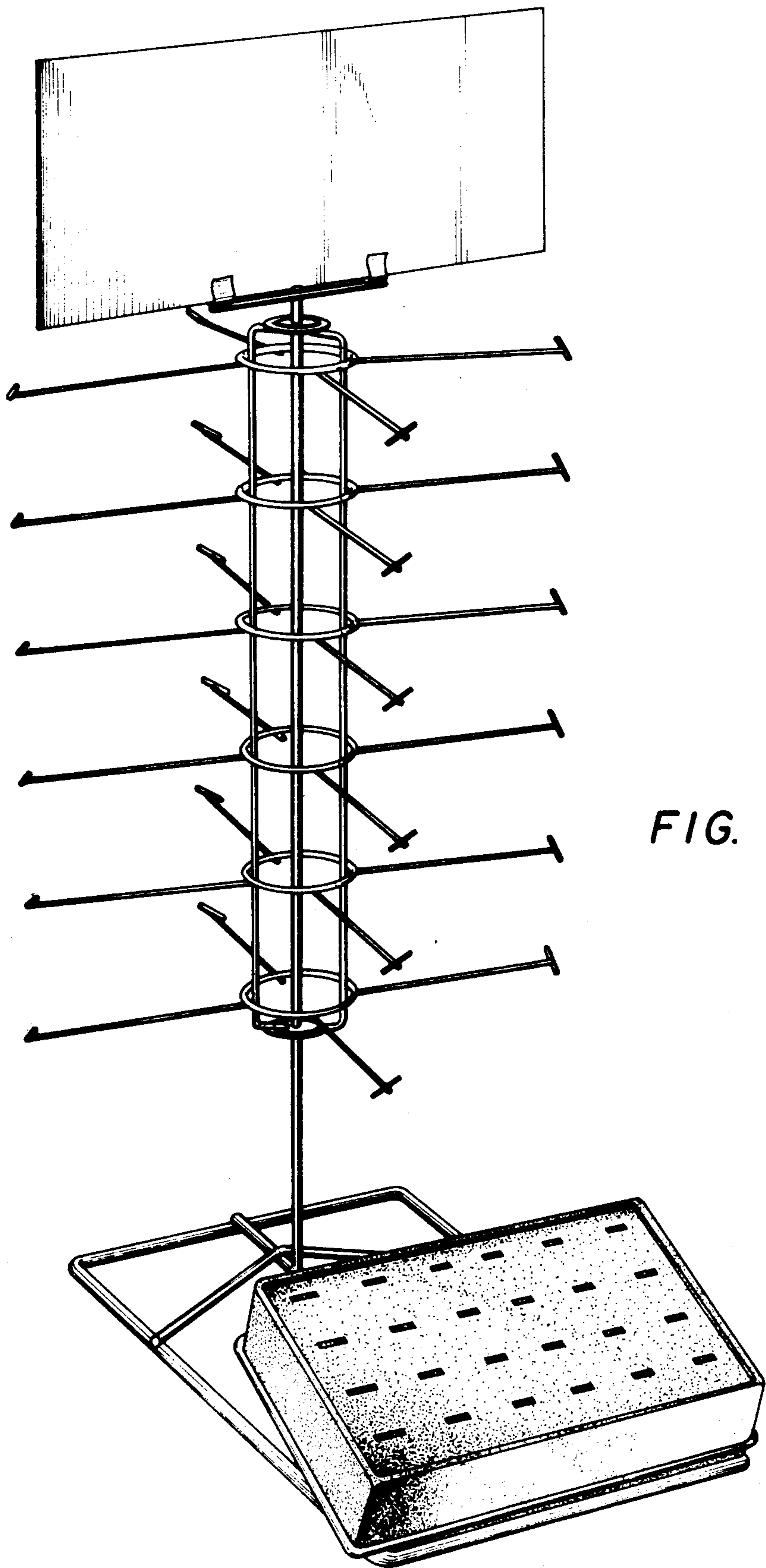
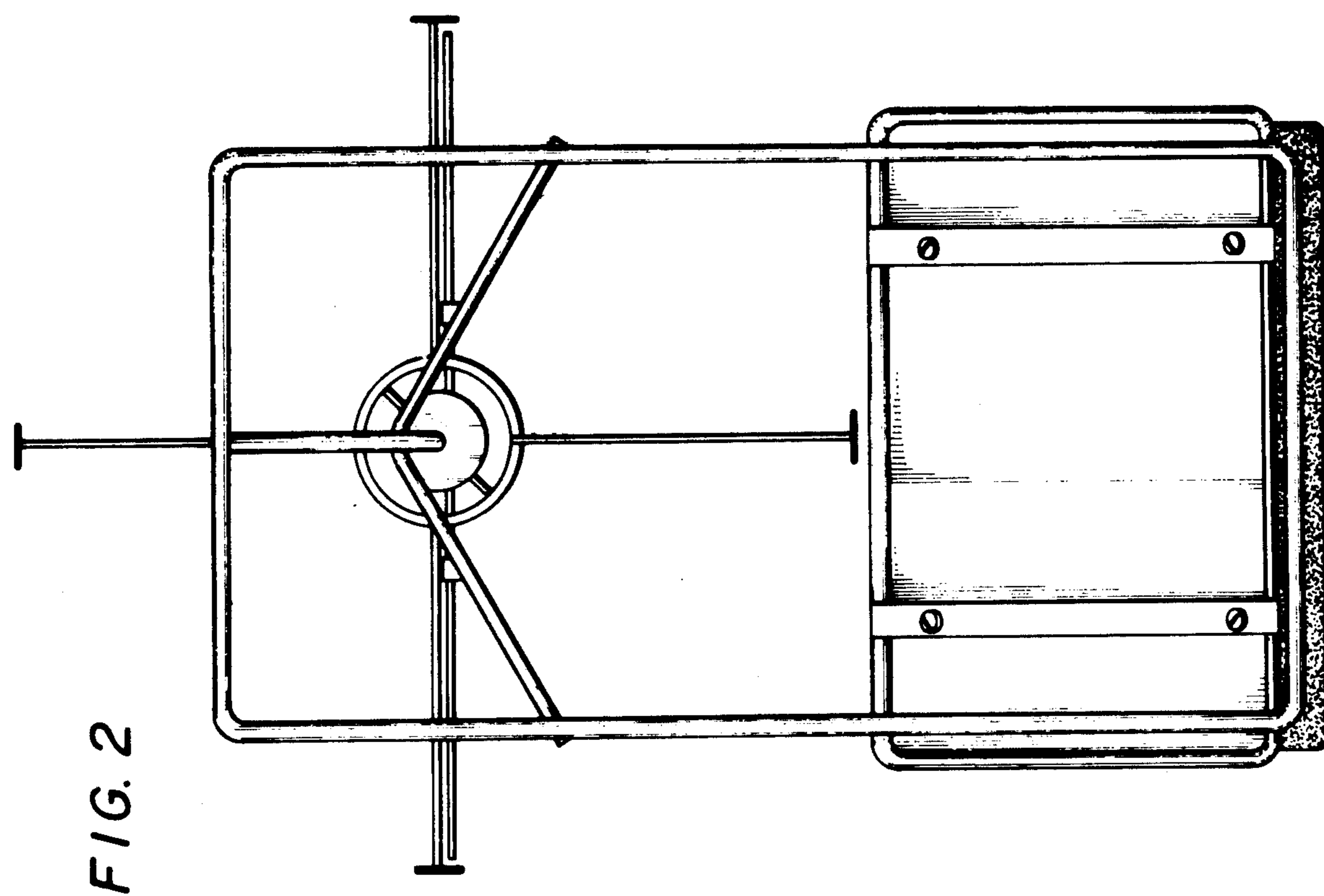
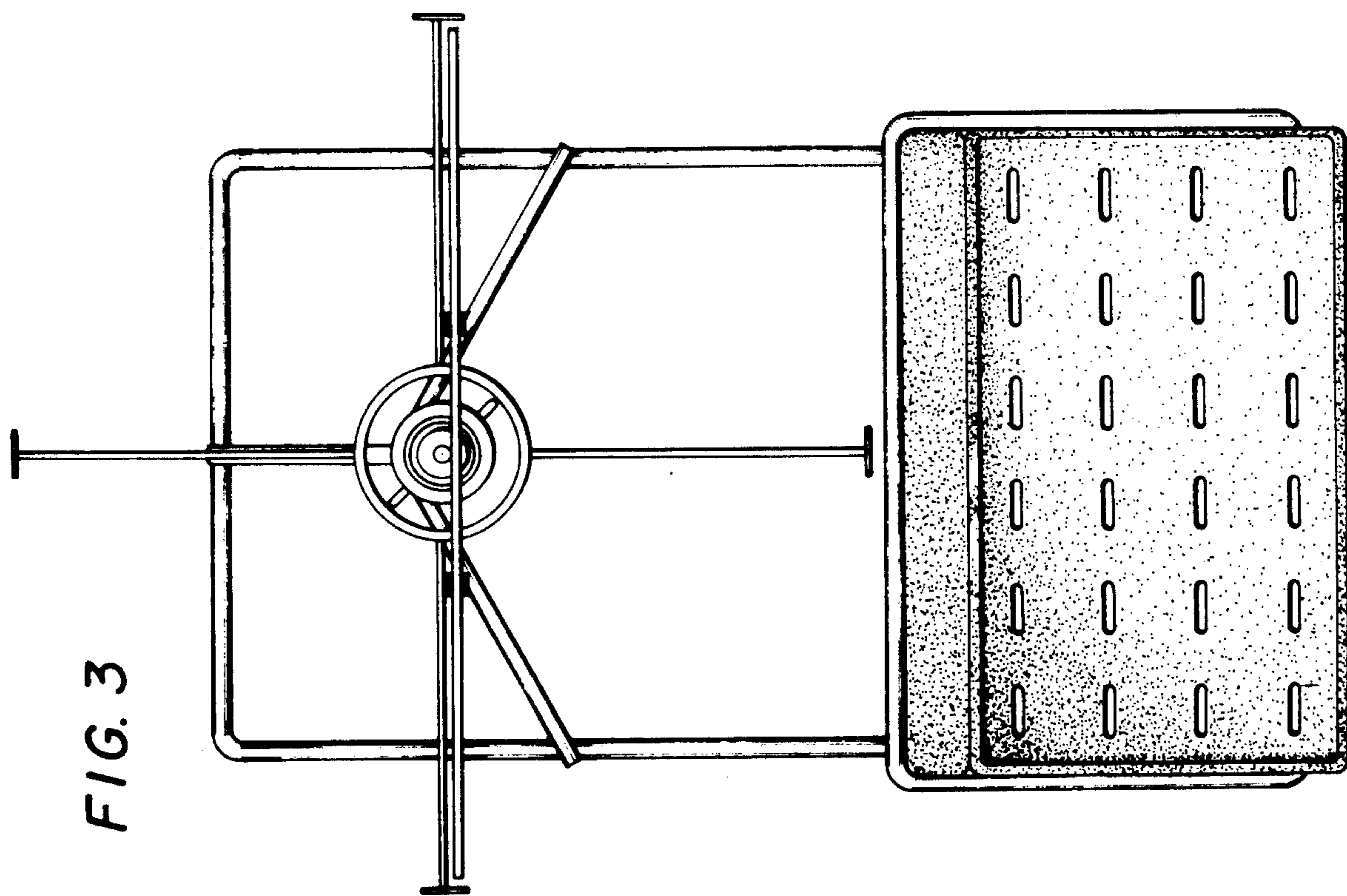


FIG. 1



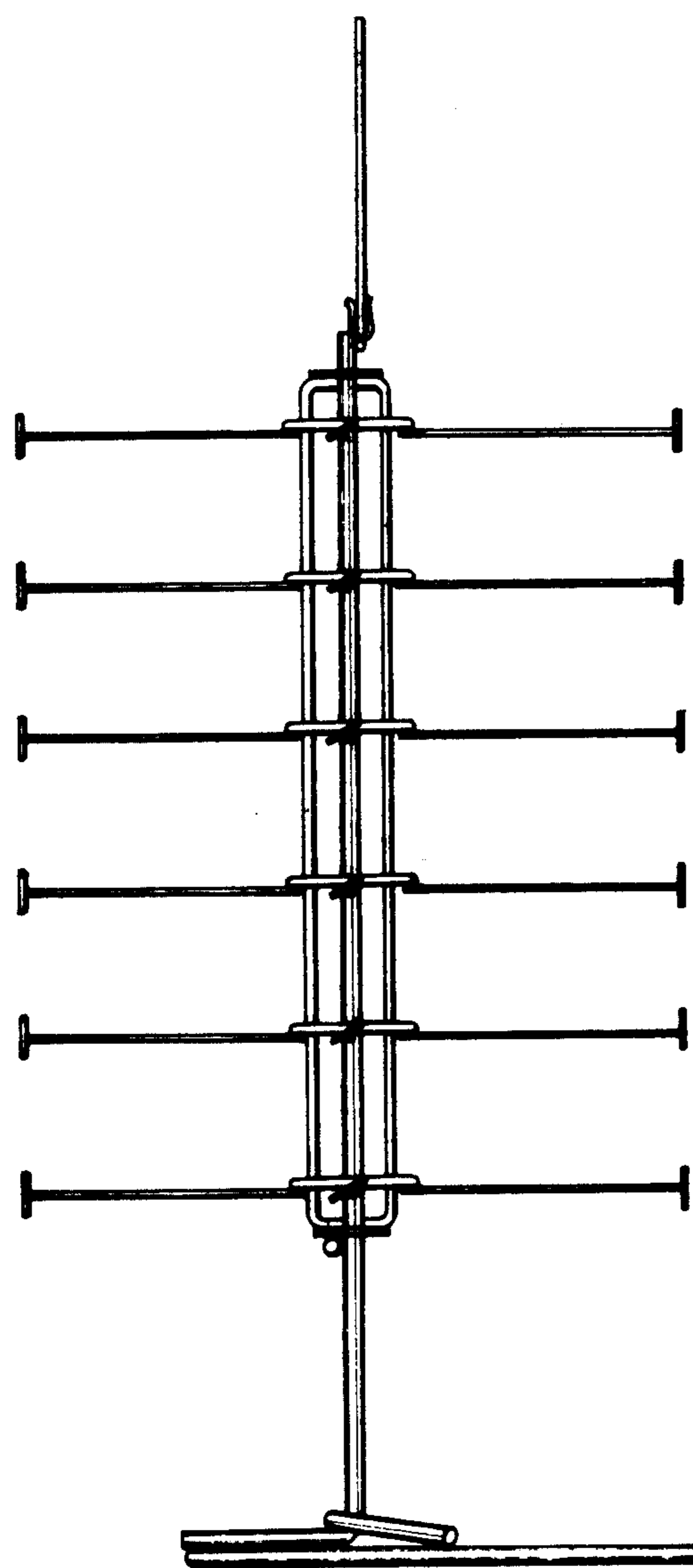


FIG. 4

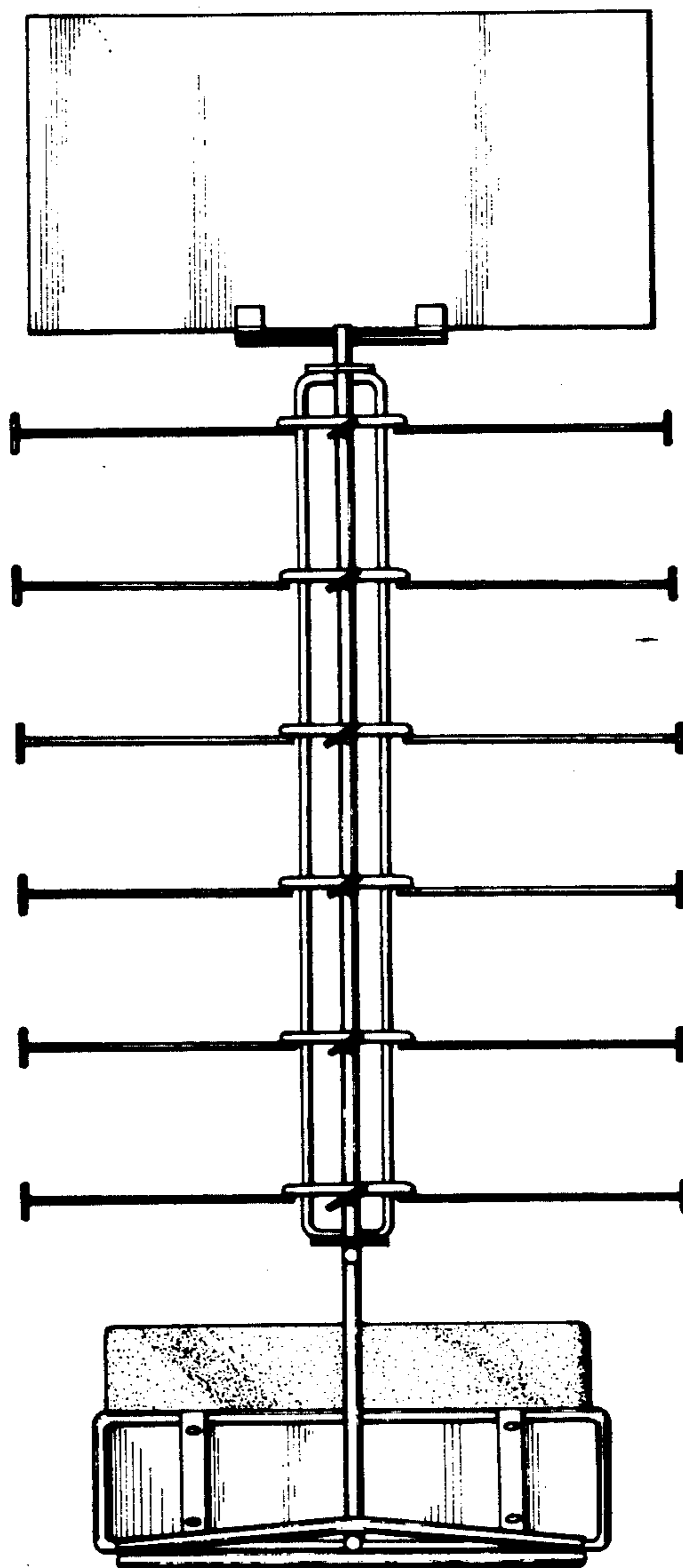


FIG. 5

