

- [54] EXECUTIVE CHAIR
- [75] Inventors: Sam Bivas; Yoram Leshem, both of Willowdale, Canada
- [73] Assignee: Galaxy Office Furniture Ltd., Weston, Canada
- [**] Term: 14 Years
- [21] Appl. No.: 817,474
- [22] Filed: Jul. 20, 1977
- [30] Foreign Application Priority Data
Jan. 25, 1977 [CA] Canada 41760
- [51] Int. Cl. D6-01
- [52] U.S. Cl. D6/31
- [58] Field of Search D6/30, 31, 32, 36, 20, D6/26, 67, 47; 297/455, 457, 325, 344, 345, 353, 354

- [56] References Cited
- U.S. PATENT DOCUMENTS
- D. 238,913 2/1976 Rietz D6/31
- D. 244,972 7/1977 Lubke D6/31

- OTHER PUBLICATIONS
- Design Cat., 2-1972, p. 73, Chair by Hyman.
- Office Products, Oct. 1976, p. 190, Chair bottom left.

Selig Monroe Catalog, p. M147, Chair No. 576-14.

Primary Examiner—Bruce W. Dunkins
Attorney, Agent, or Firm—A. Yates Dowell, Jr.

[57] CLAIM

The ornamental design for an executive chair, as shown and described.

DESCRIPTION

FIG. 1 is a perspective view showing the front, top and right side of our new design for an executive chair.
 FIG. 2 is a perspective view of the front, bottom and left side thereof.
 FIG. 3 is a front perspective view thereof.
 FIG. 4 is a rear perspective view thereof.
 FIG. 5 is a perspective view of another embodiment of an executive chair showing the front, top and right side thereof.
 FIG. 6 is a perspective view showing the front, bottom and left side thereof.
 FIG. 7 is a front perspective view thereof.
 FIG. 8 is a rear perspective view thereof.
 The chair is characterized by the combination of a concave seat member and a concave back portion in association with vertical side portions, said side portions having lower sections which are generally parallel while the upper sections thereof are inwardly angled, all as best illustrated in FIGS. 4 and 8.

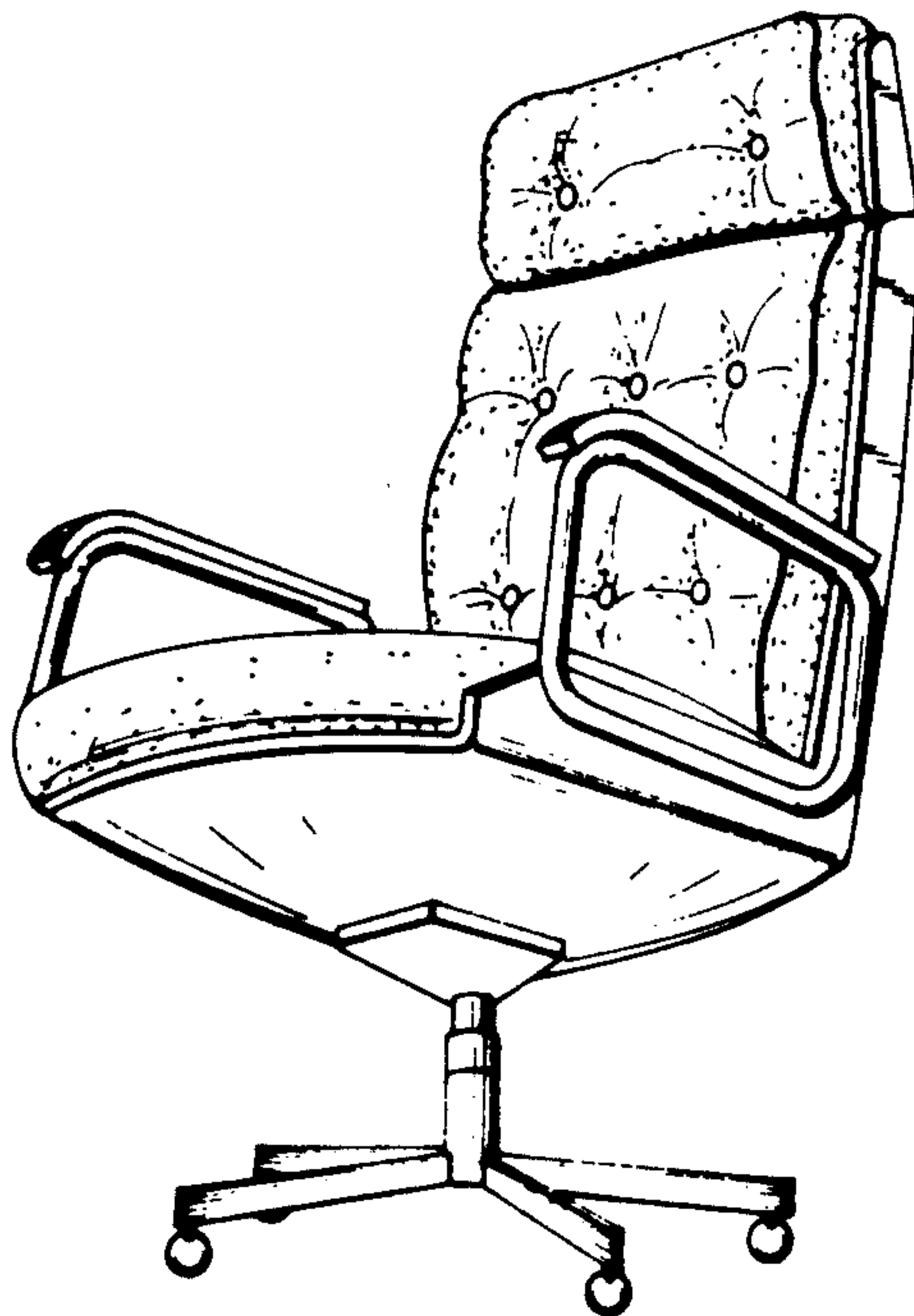


FIG. 1



FIG. 2

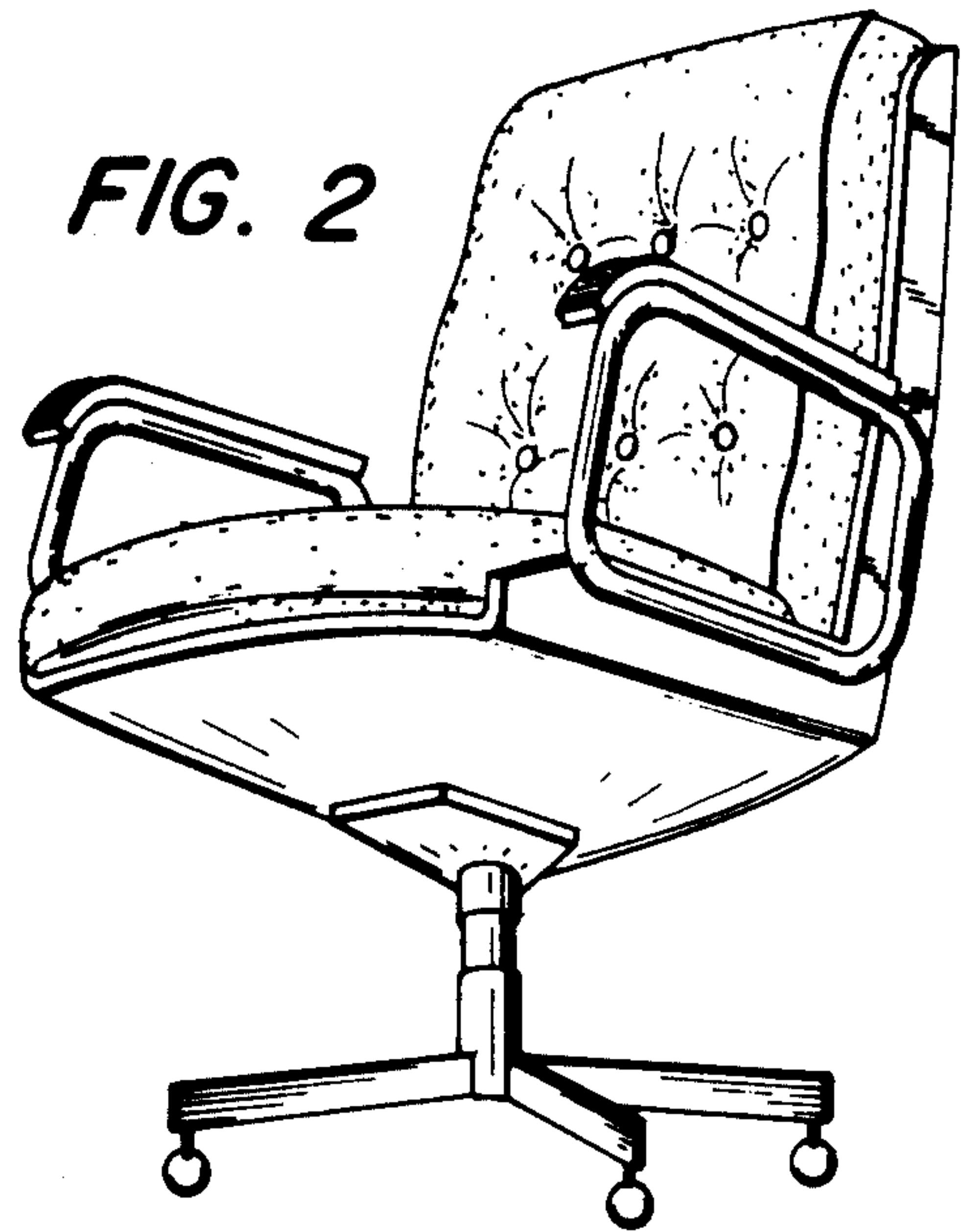


FIG. 3

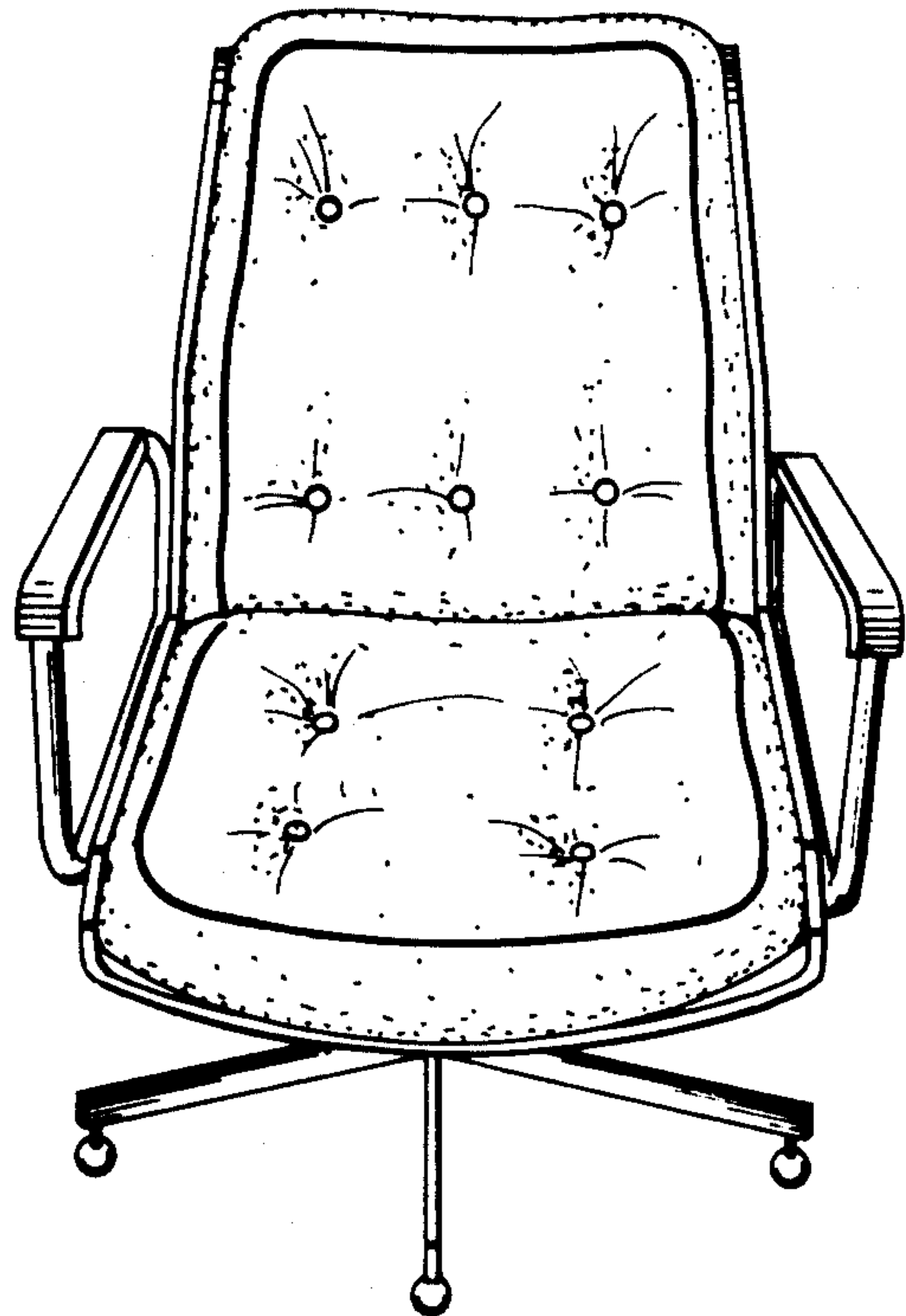


FIG. 4

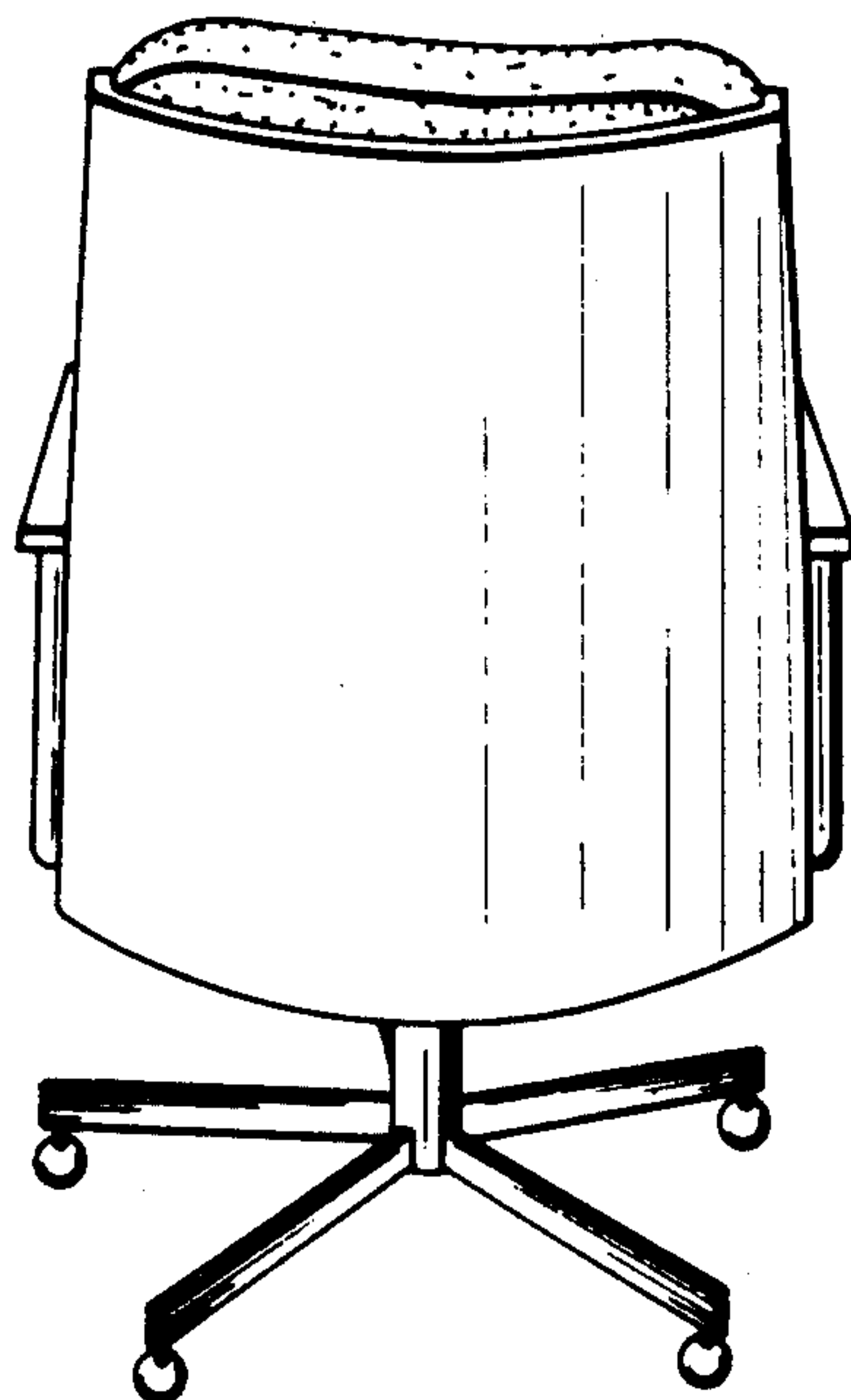


FIG. 5

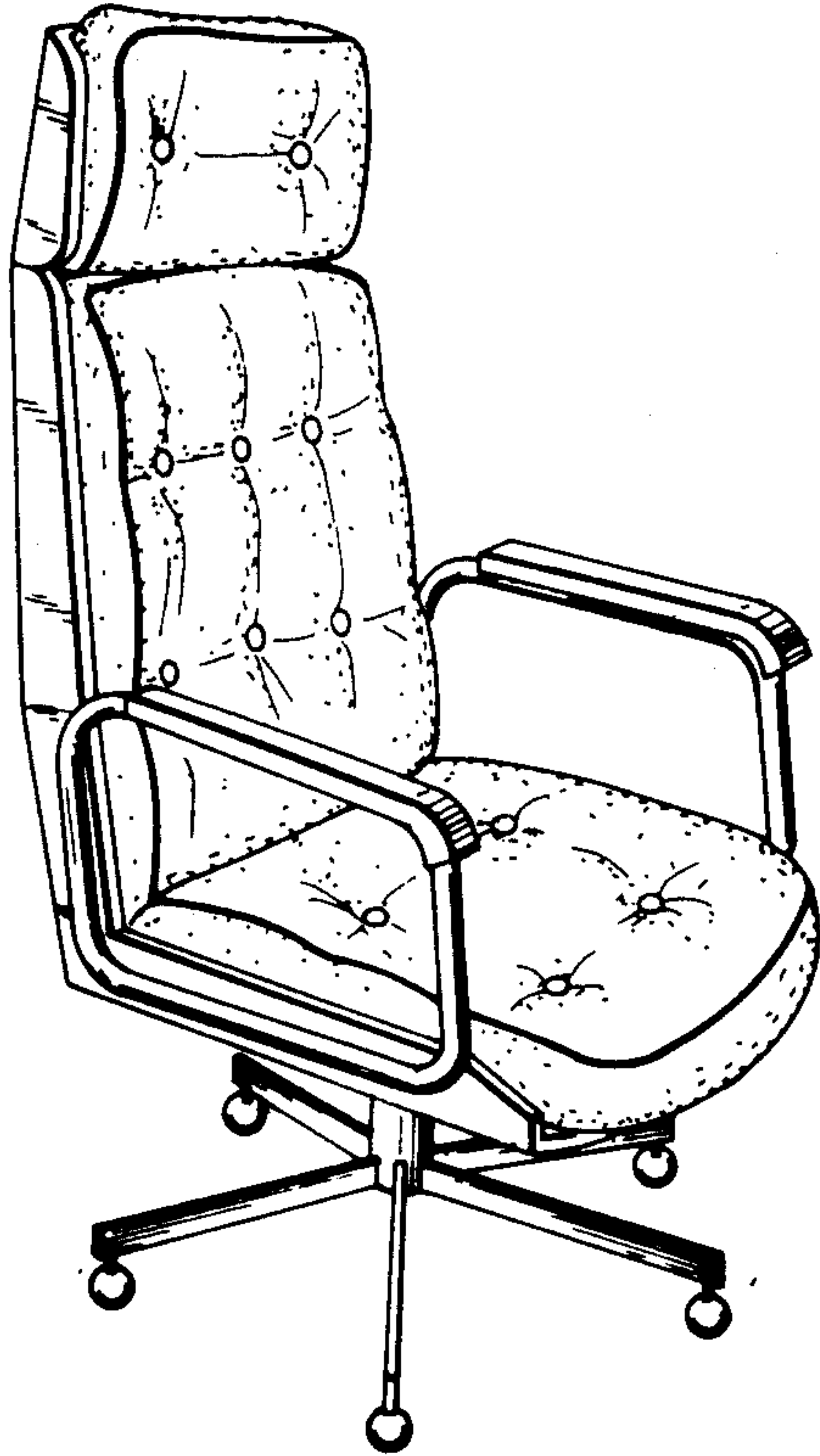


FIG. 6

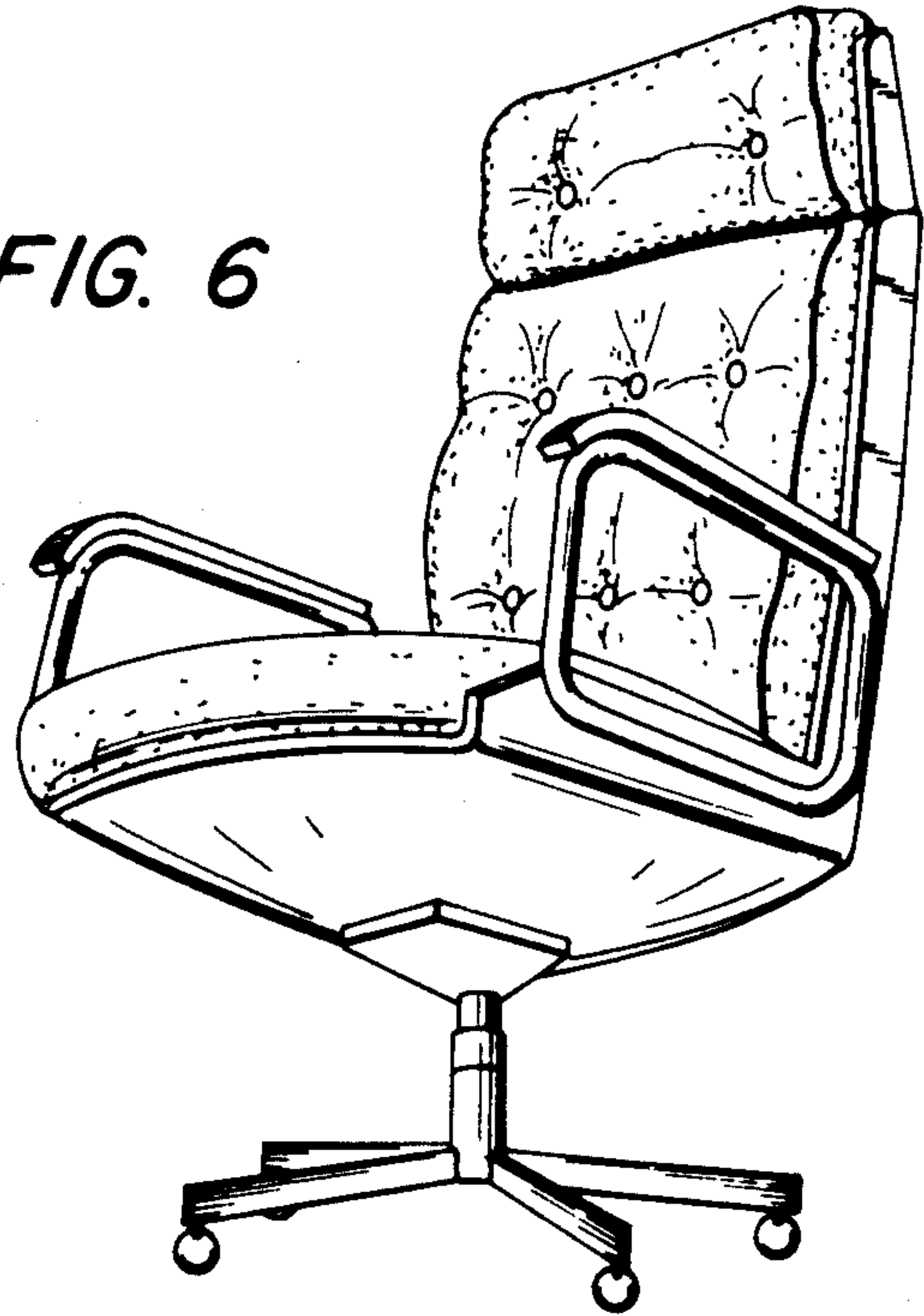


FIG. 7

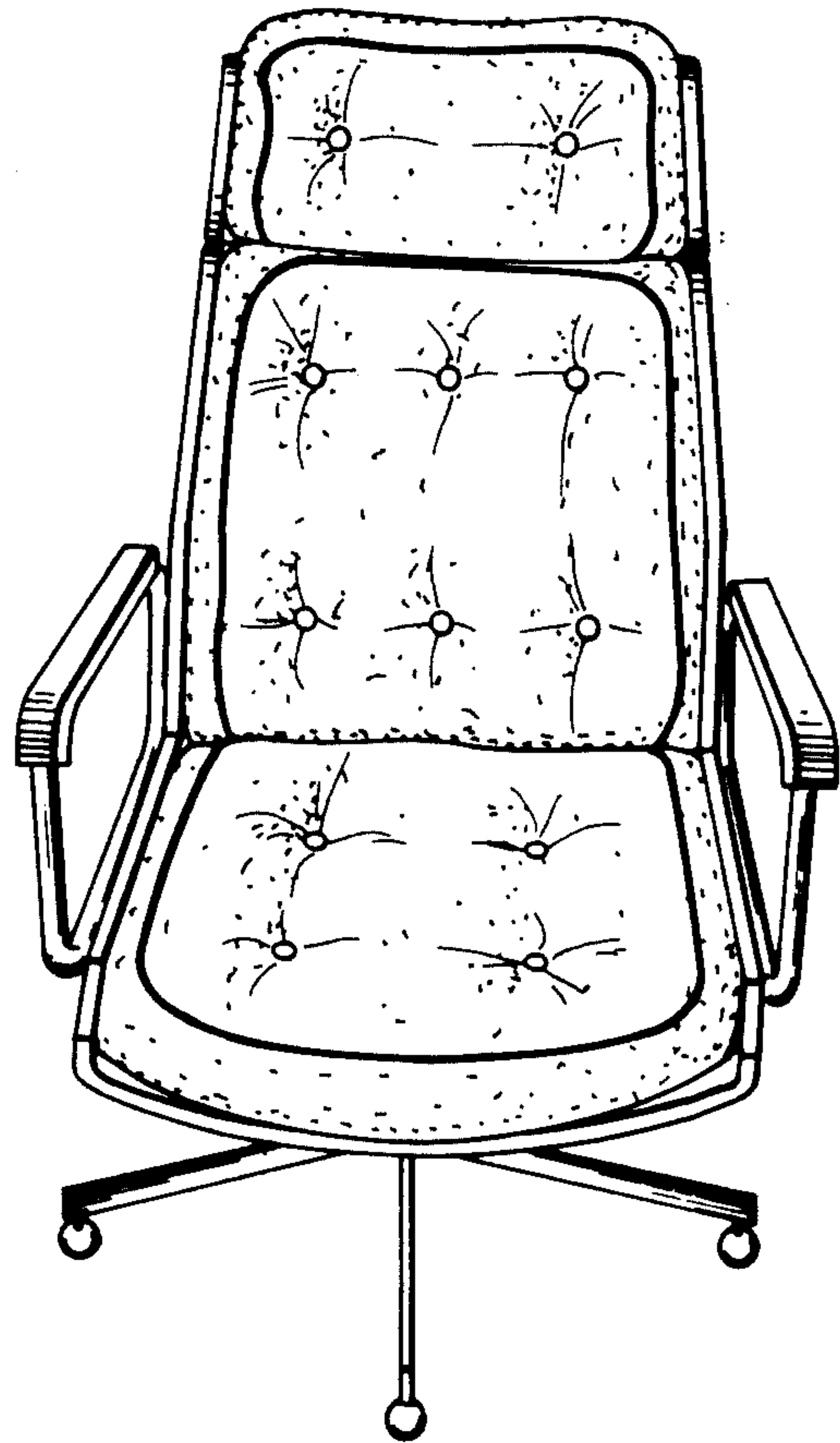


FIG. 8

