

[54] PORTABLE TABLE LAMP

[76] Inventor: Tsui Fan, Hiller, S. & Company, Inc.,
12 W. 21st St., New York, N.Y.
10010

[**] Term: 7 Years

[21] Appl. No.: 747,205

[22] Filed: Dec. 3, 1976

[51] Int. Cl. D26—05
[52] U.S. Cl. D48/20 R
[58] Field of Search D48/20 R, 20 A;
362/410, 411, 412, 413, 414

[56] References Cited

U.S. PATENT DOCUMENTS

D. 92,921 7/1934 Olds D48/20 R
D. 237,534 11/1975 Jacobsen D48/20 R

FOREIGN PATENT DOCUMENTS

561747 10/1932 Fed. Rep. of Germany 362/413

Primary Examiner—Susan J. Lucas
Attorney, Agent, or Firm—William T. Hough

[57] CLAIM

The ornamental design for a portable table lamp, substantially as shown and described.

DESCRIPTION

FIG. 1 is a top perspective view of a portable table lamp showing my new design.
FIG. 2 is a side elevational view thereof.
FIG. 3 is a top plan view thereof.

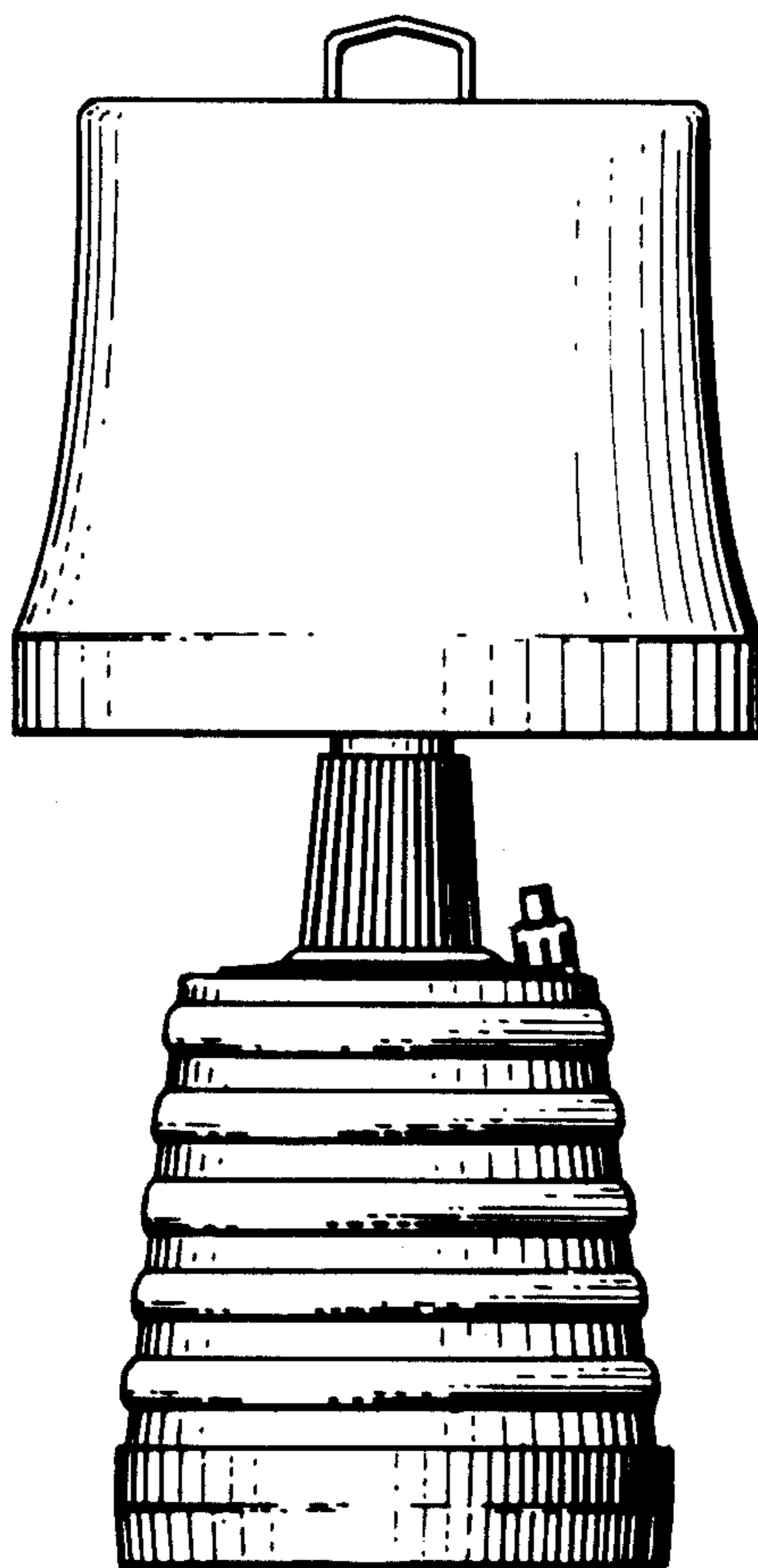


Fig. 2.

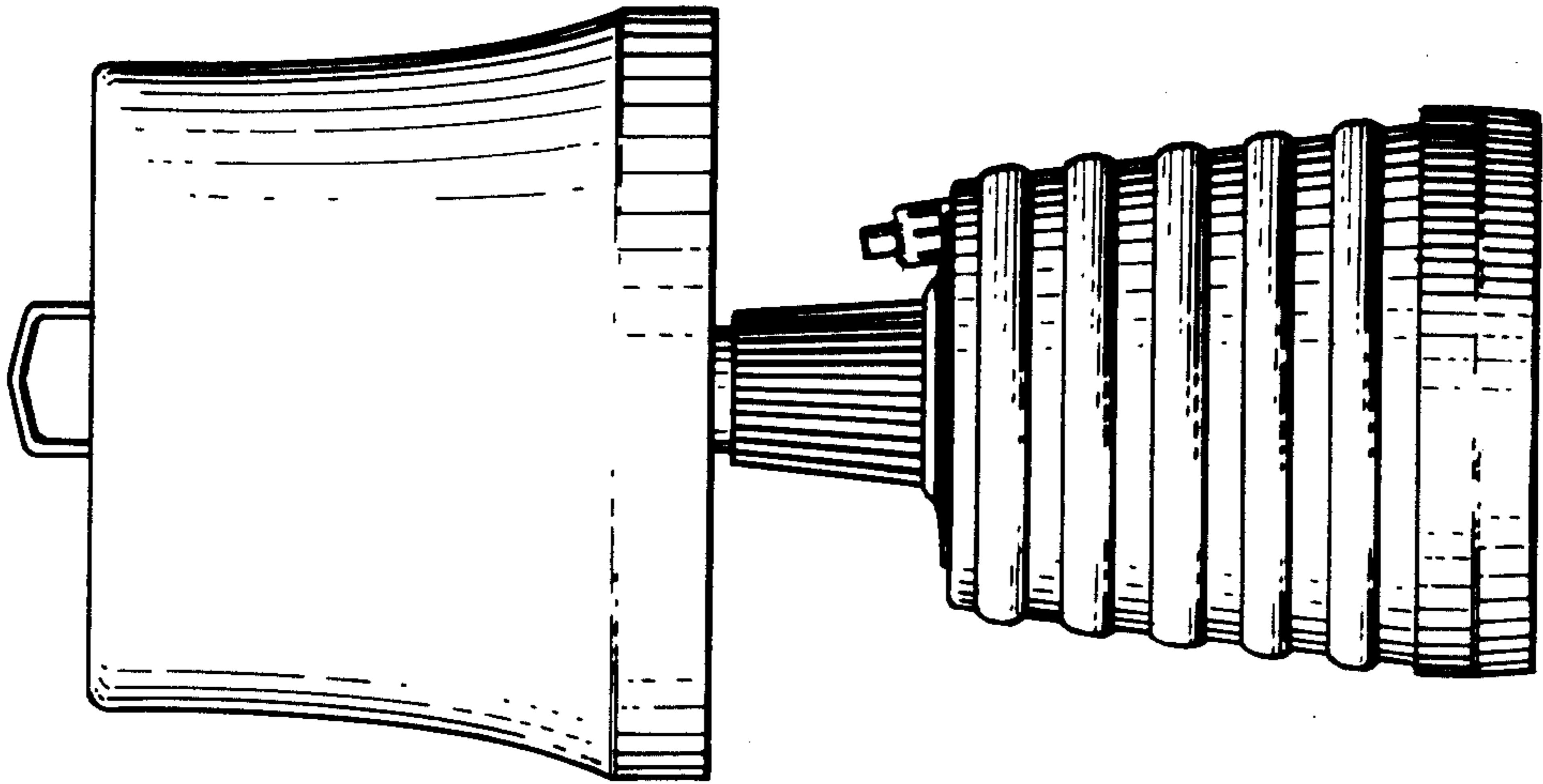


Fig. 1.

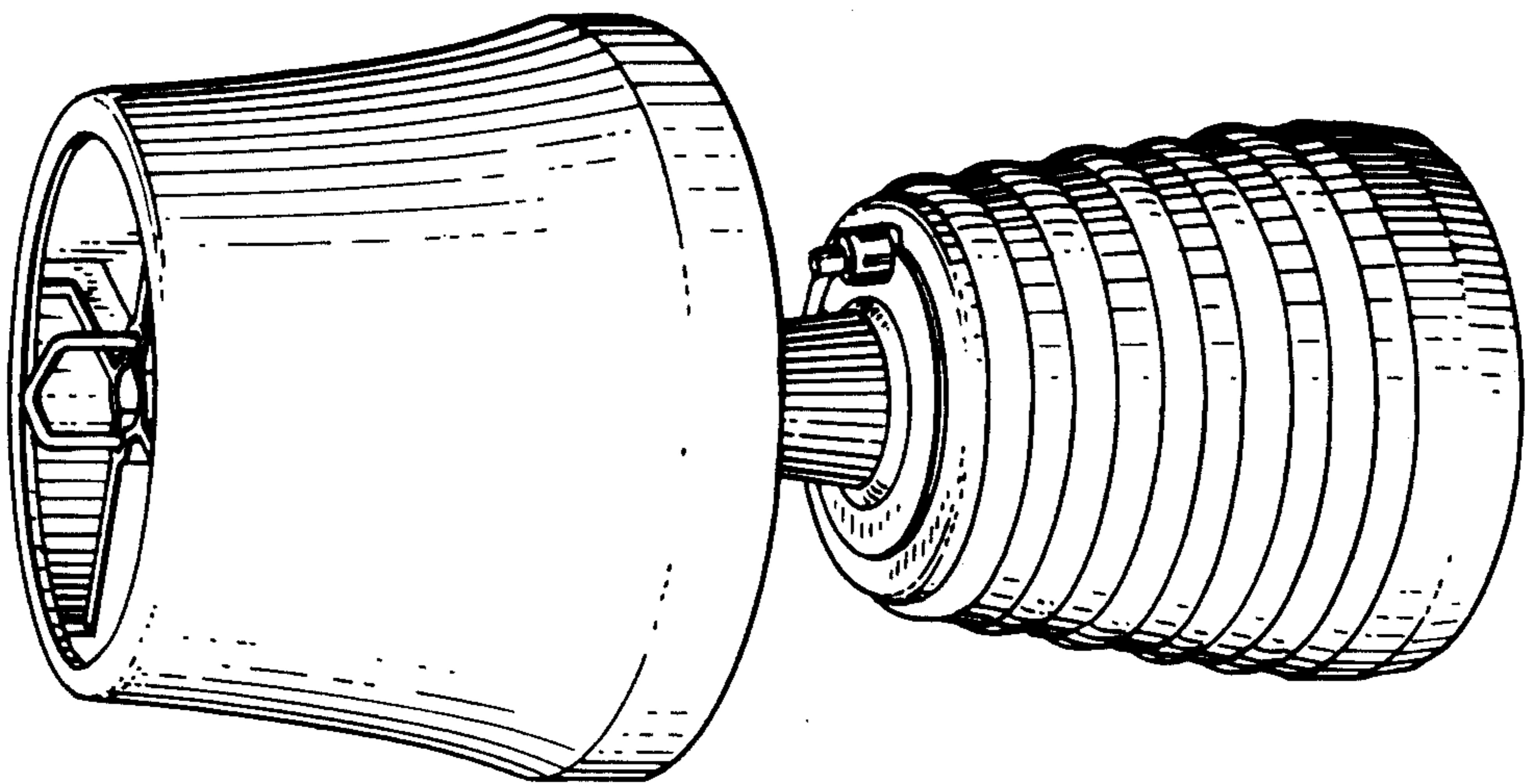


Fig. 3.

