

[54] SKATE BOARD SCOOTER

[76] Inventor: Freddie L. Wynn, 736A W. Buckeye, #358, Phoenix, Ariz. 85007

[**] Term: 14 Years

[21] Appl. No.: 779,540

[22] Filed: Mar. 21, 1977

[51] Int. Cl. D21-01

[52] U.S. Cl. D34/15 AJ

[58] Field of Search D34/15 AJ, 15 AT; 280/87 R, 87.01, 87.04 R, 87.04 A, 87.04 B

[56] References Cited

U.S. PATENT DOCUMENTS

- D. 176,725 1/1956 Laibow D34/15 AT
- D. 244,479 5/1977 Pasin D34/15 AT
- 1,075,250 10/1913 Gingold 280/87.04 R

- 1,274,889 8/1918 Johnson D34/15 AT
- 3,565,454 2/1971 Stevenson D34/15 AJ

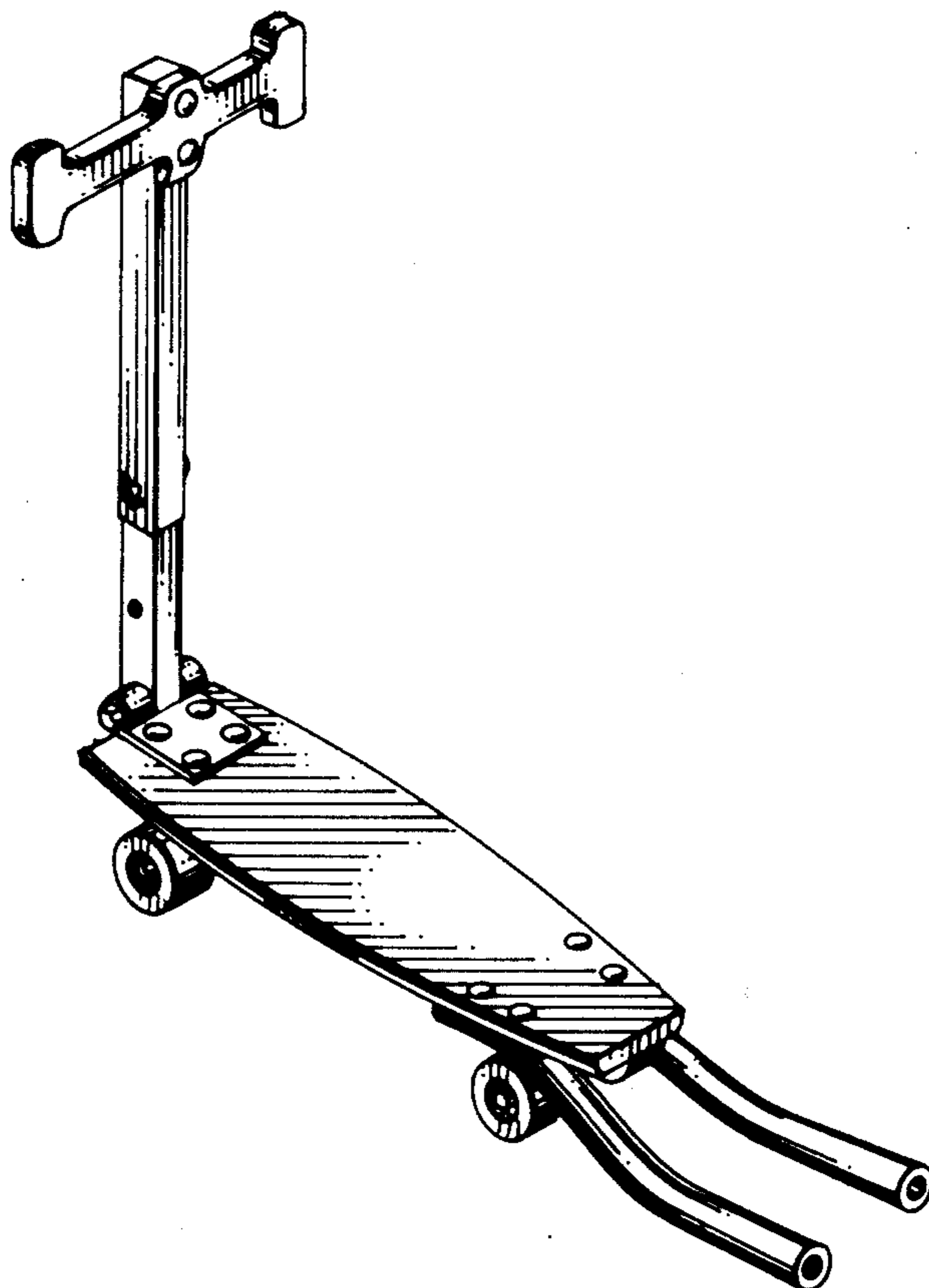
Primary Examiner—Joel Stearman
Assistant Examiner—C. A. Rademaker
Attorney, Agent, or Firm—Warren F. B. Lindsley

[57] CLAIM

The ornamental design for a skate board scooter, as shown and described.

DESCRIPTION

FIG. 1 is a top perspective view of a skate board scooter showing my new design;
FIG. 2 is a bottom perspective view thereof;
FIG. 3 is a left side elevational view with the handle member removed and the protruding tubular elements shown partially in fragment; and,
FIG. 4 is a right side elevational view thereof shown partially in fragment with the handle member in a compact condition.



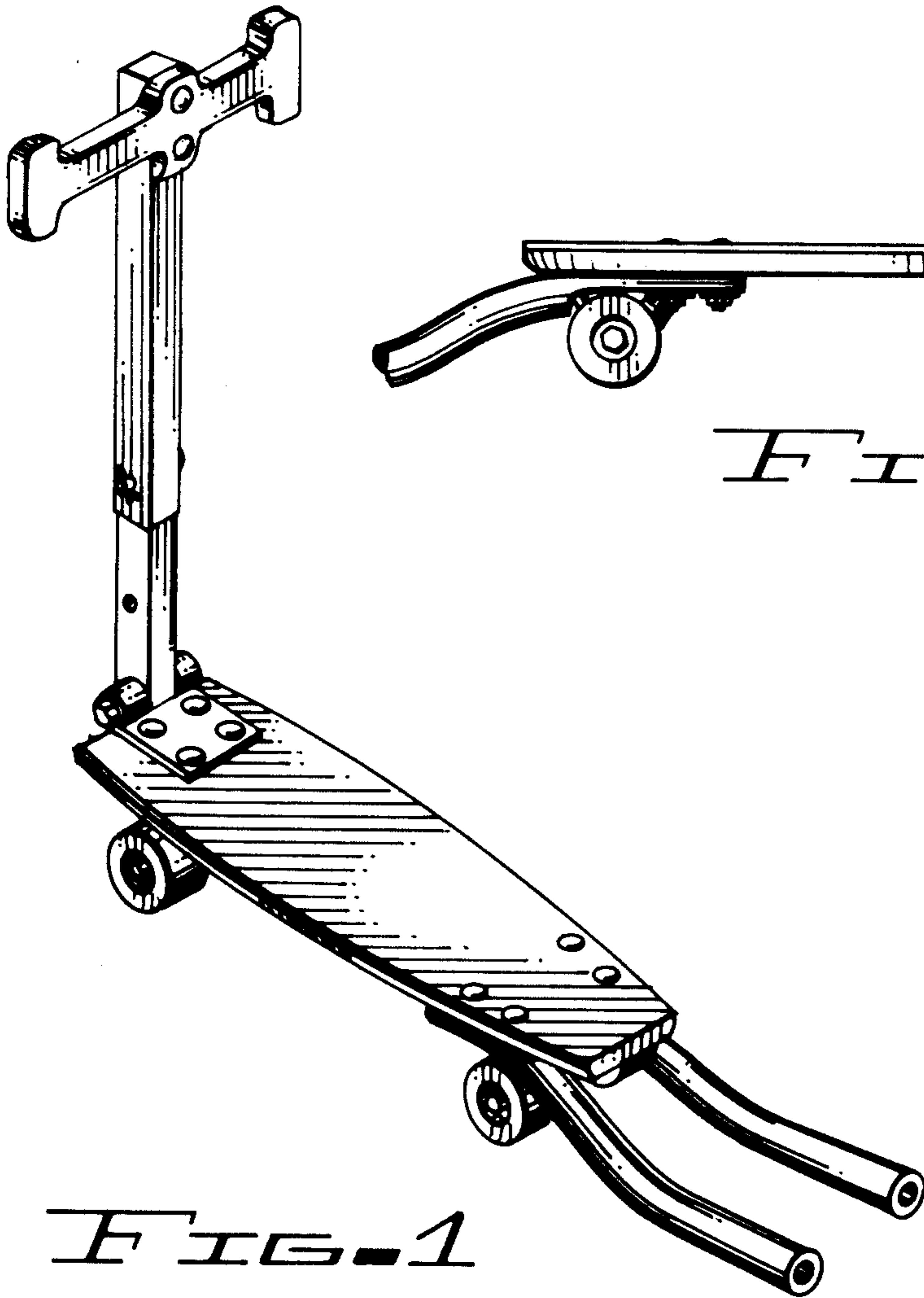


FIG. 1

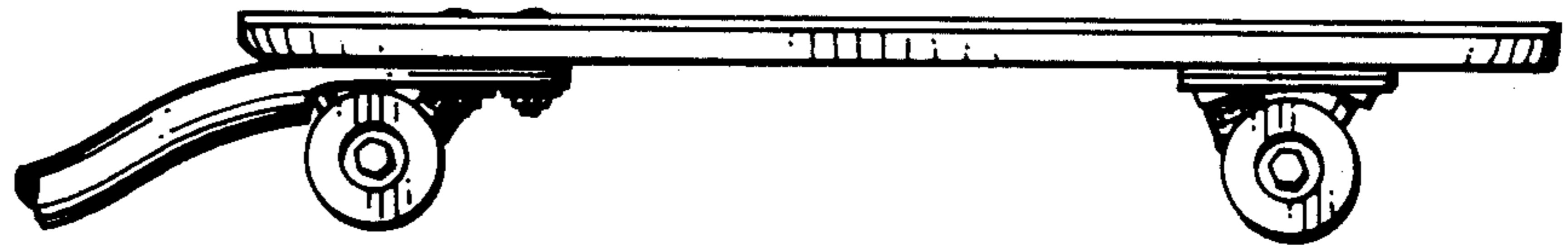


FIG. 3

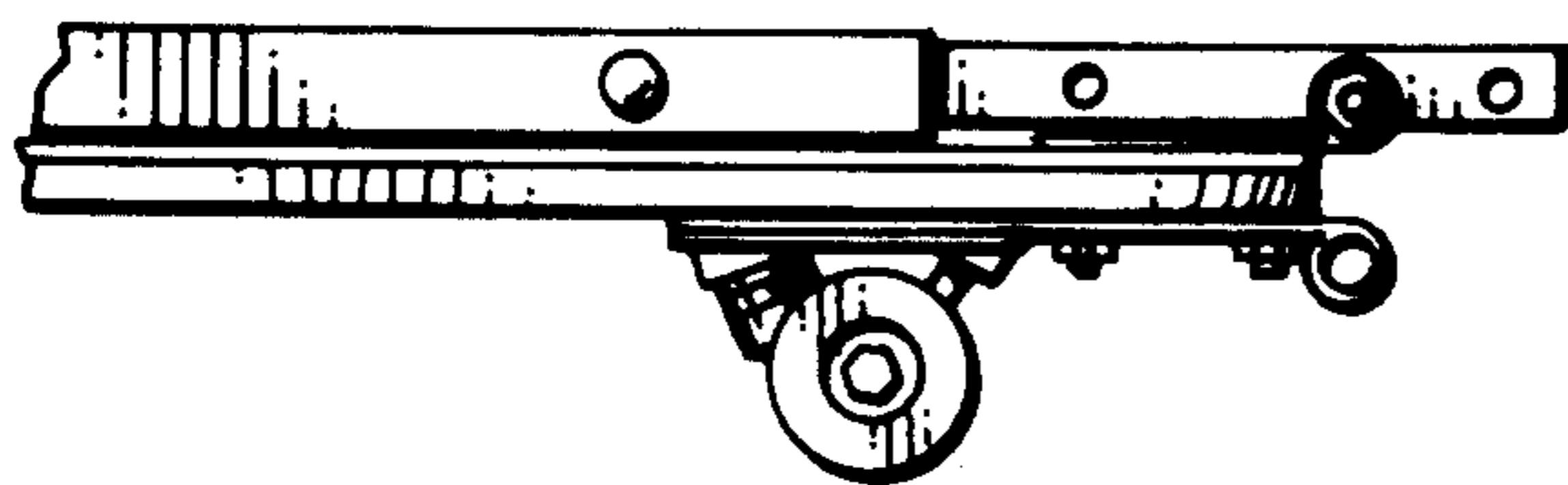


FIG. 4

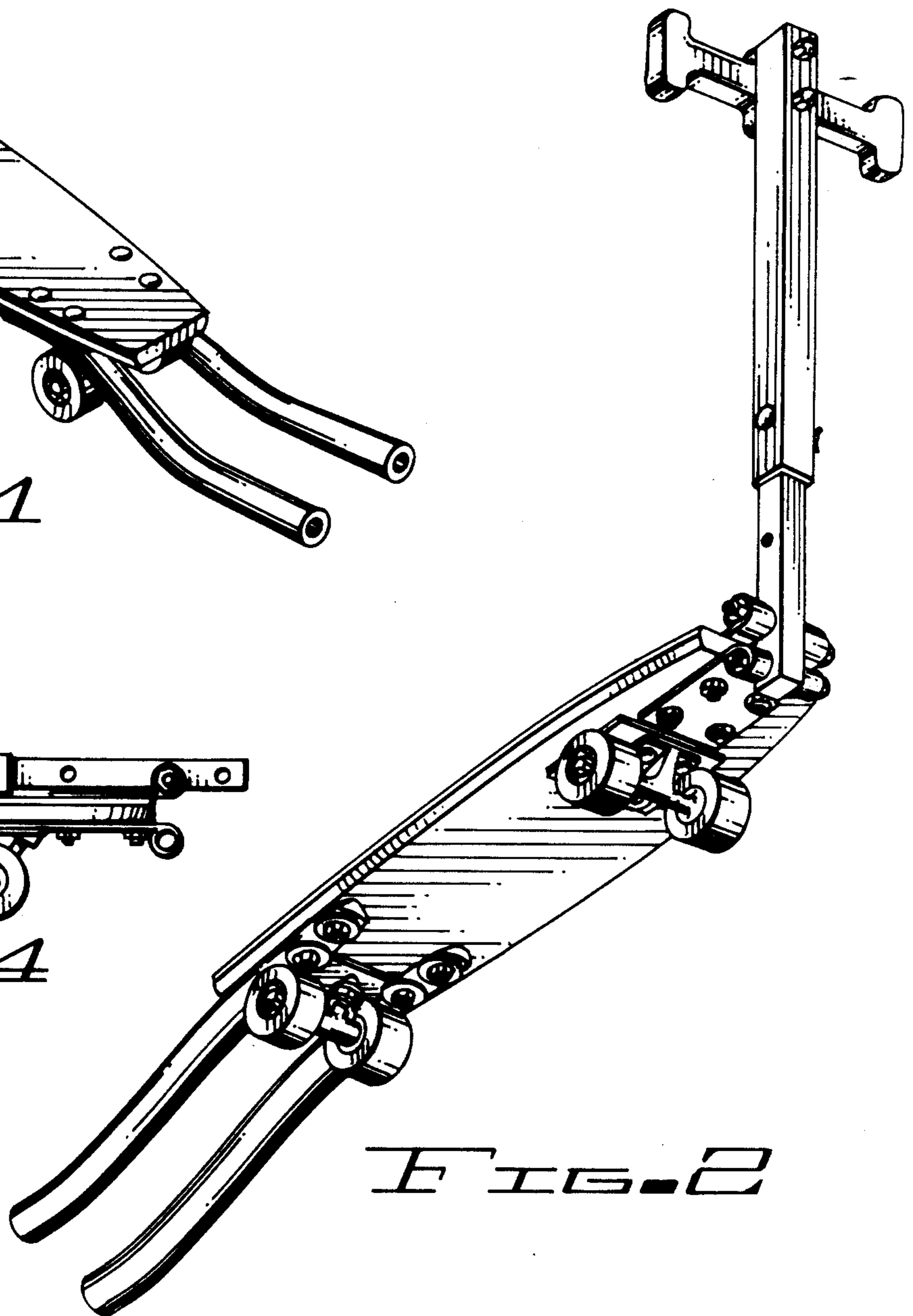


FIG. 2