

[54] GAME CONTROL CONSOLE

[75] Inventors: Randy K. Hall, Santa Clara; Kevin P. McKinsey, Soquel, both of Calif.

[73] Assignee: Atari, Inc., Sunnyvale, Calif.

[**] Term: 14 Years

[21] Appl. No.: 793,797

[22] Filed: Apr. 25, 1977

[51] Int. Cl. D21-01

[52] U.S. Cl. D34/5 R

[58] Field of Search D34/5 R; 273/1 E, DIG. 28, 273/85 R

[56] References Cited

PUBLICATIONS

Playthings, Feb., 1976, p. 195, "Tele-Pong" control, and p. 190, "Odyssey" control.

Primary Examiner—Melvin B. Feifer

Attorney, Agent, or Firm—Paul D. Flehr

[57] CLAIM

The ornamental design for a game control console, as shown and described.

DESCRIPTION

FIG. 1 is a perspective view of a game control console employing our new design.

FIG. 2 is a top plan view of the game control console shown in FIG. 1.

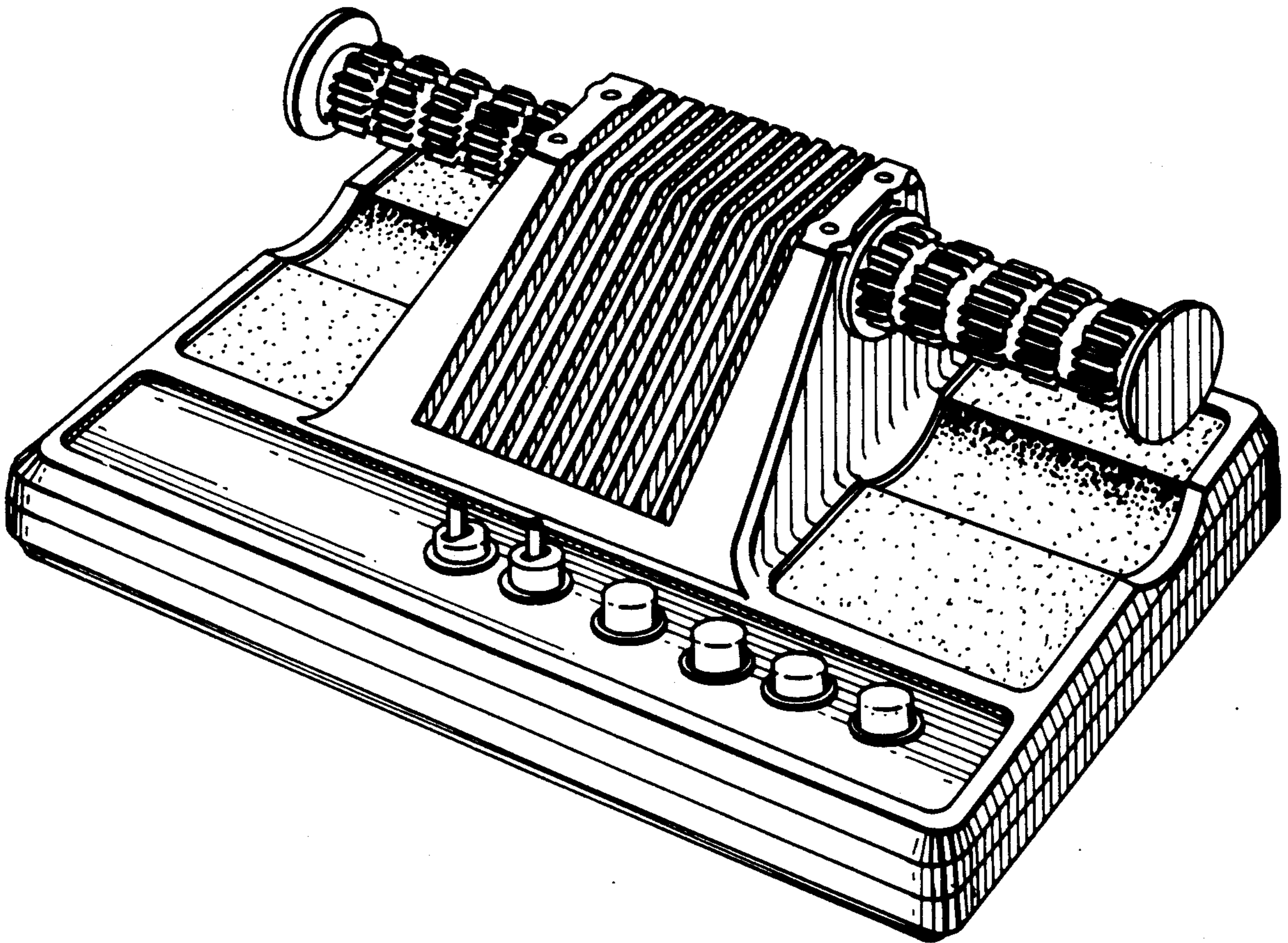
FIG. 3 is a front elevational view of the game control console shown in FIG. 1.

FIG. 4 is a bottom plan view of the game control console shown in FIG. 1.

FIG. 5 is a rear elevational view of the game control console shown in FIG. 1.

FIG. 6 is a right side elevational view of the game control console shown in FIG. 1.

The left side elevation of the game control console is a mirror image of the right side elevation.



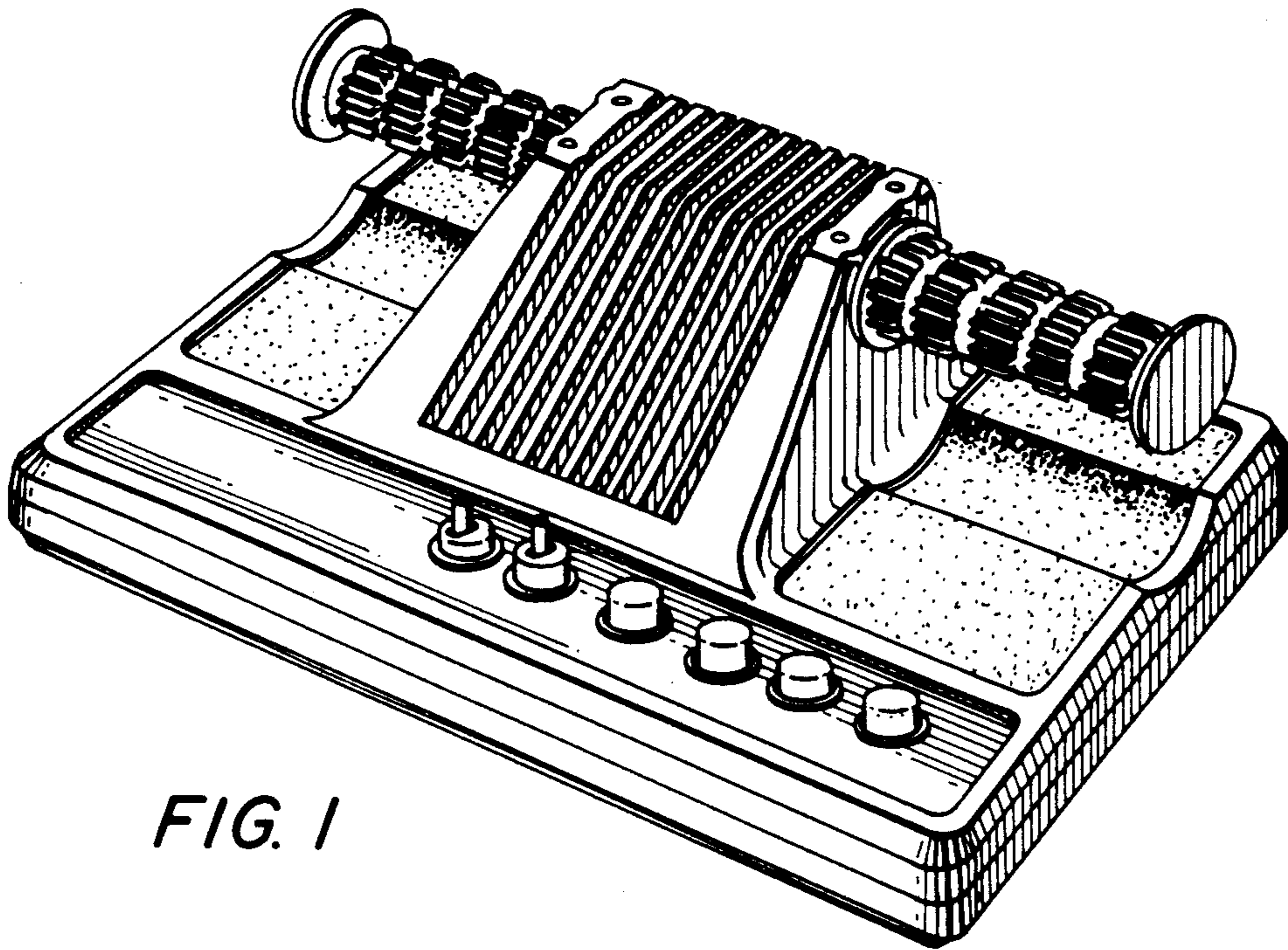


FIG. 1

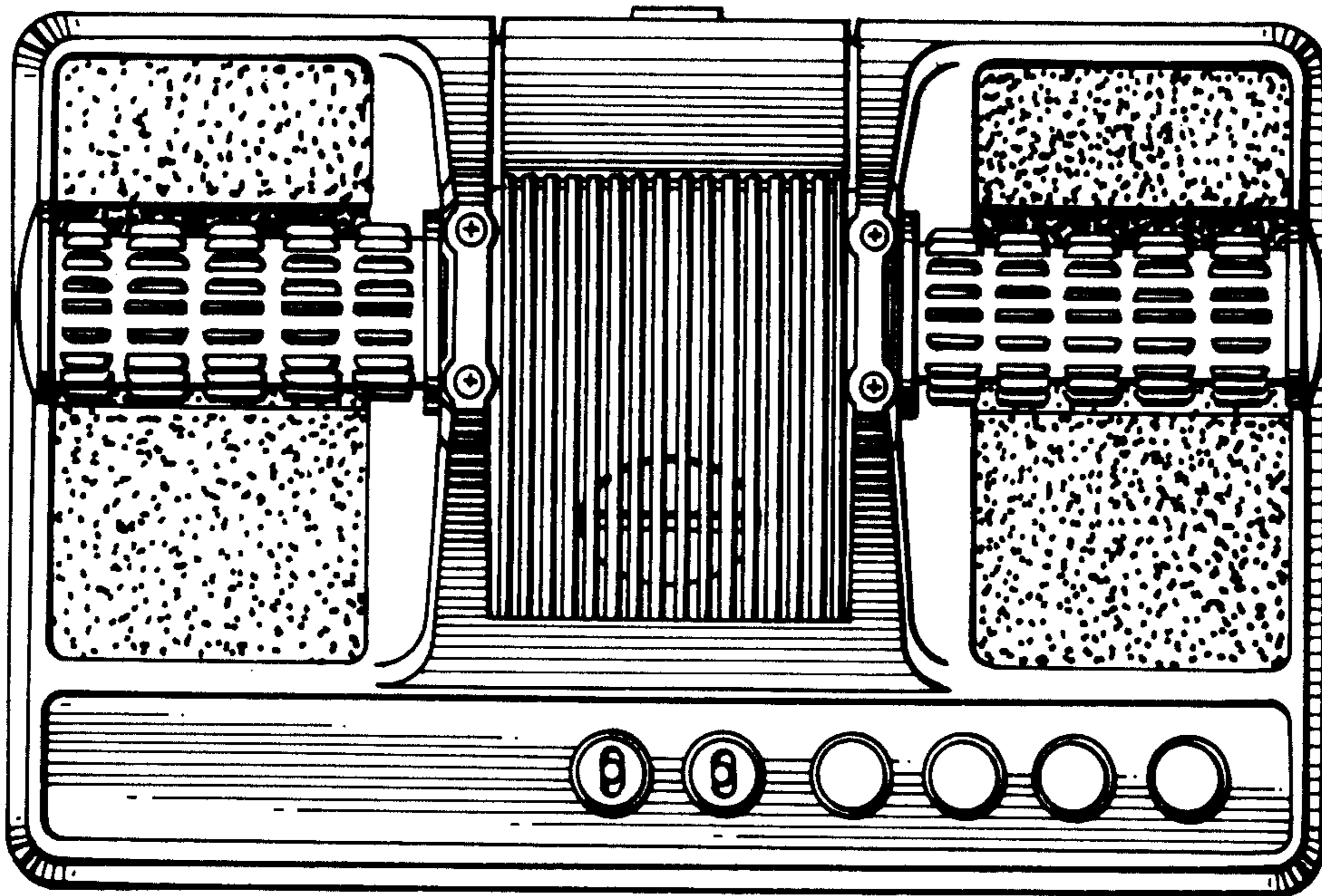


FIG. 2

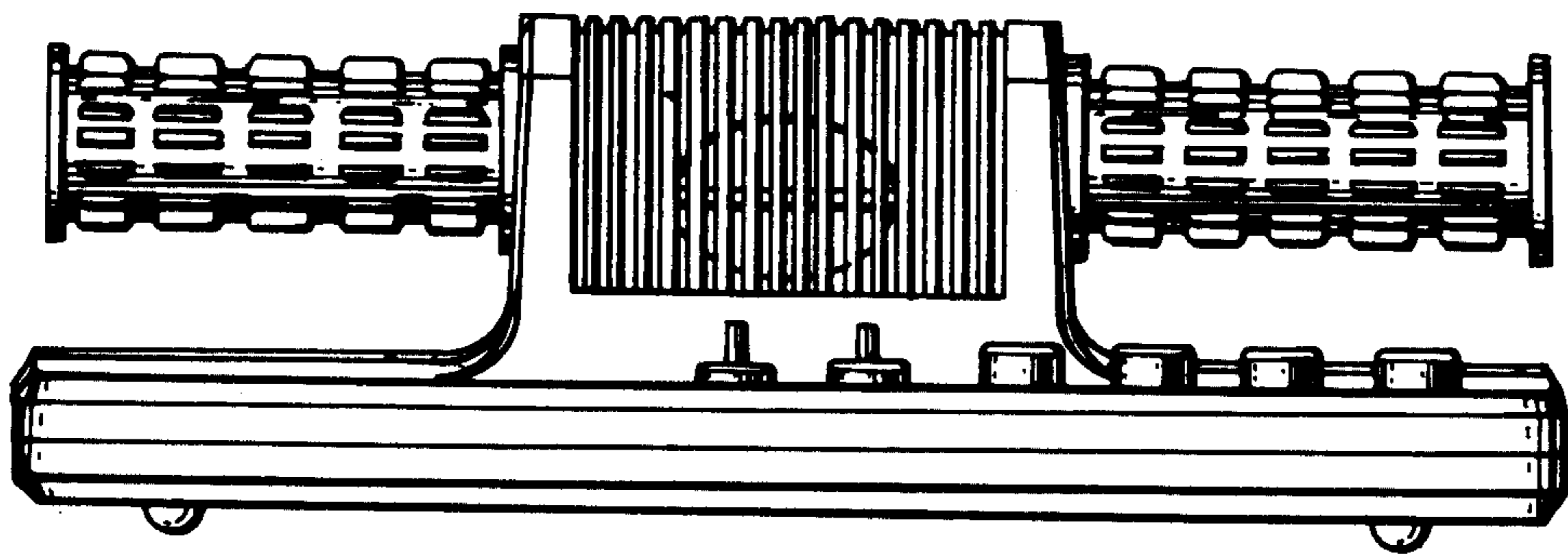


FIG. 3

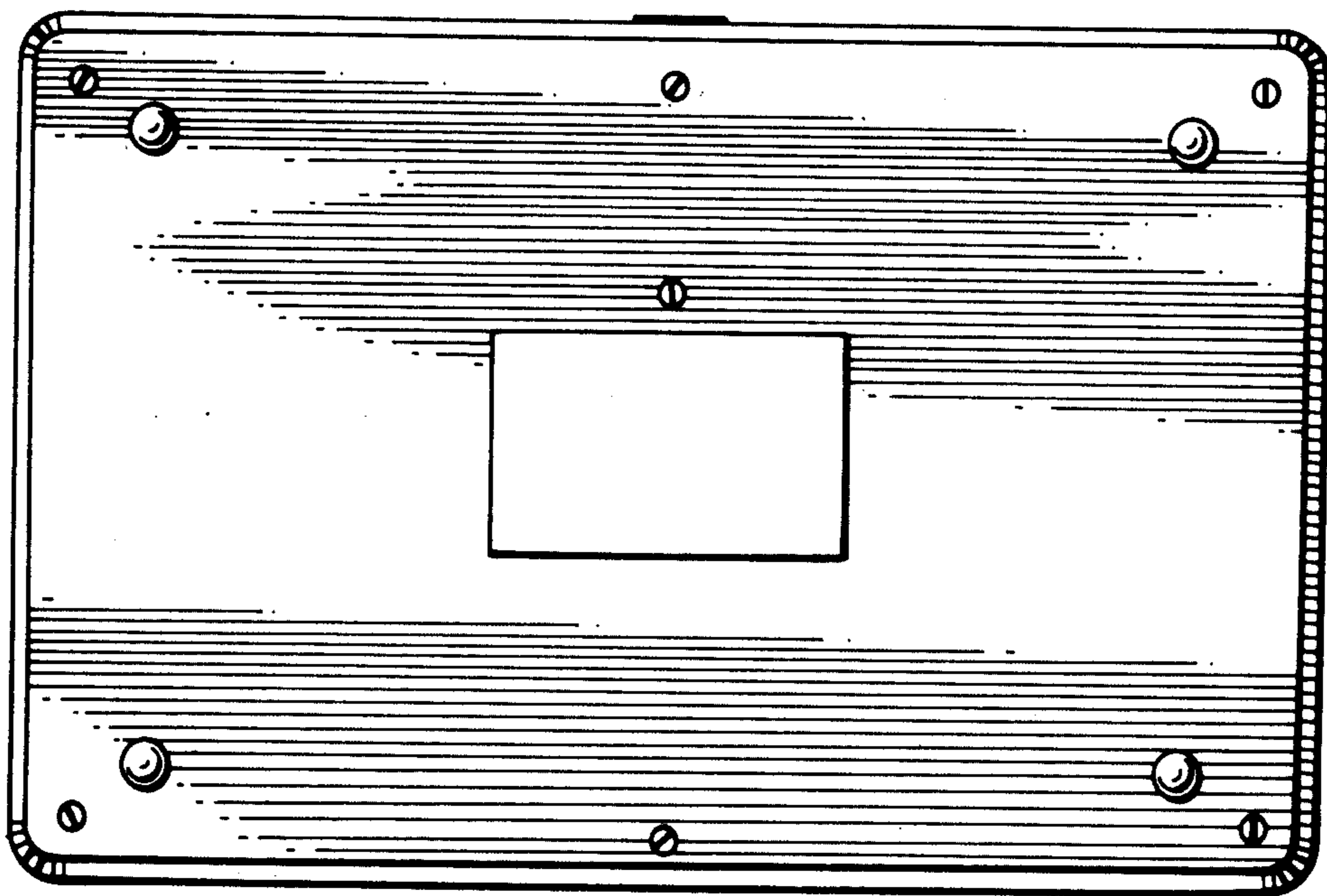


FIG. 4

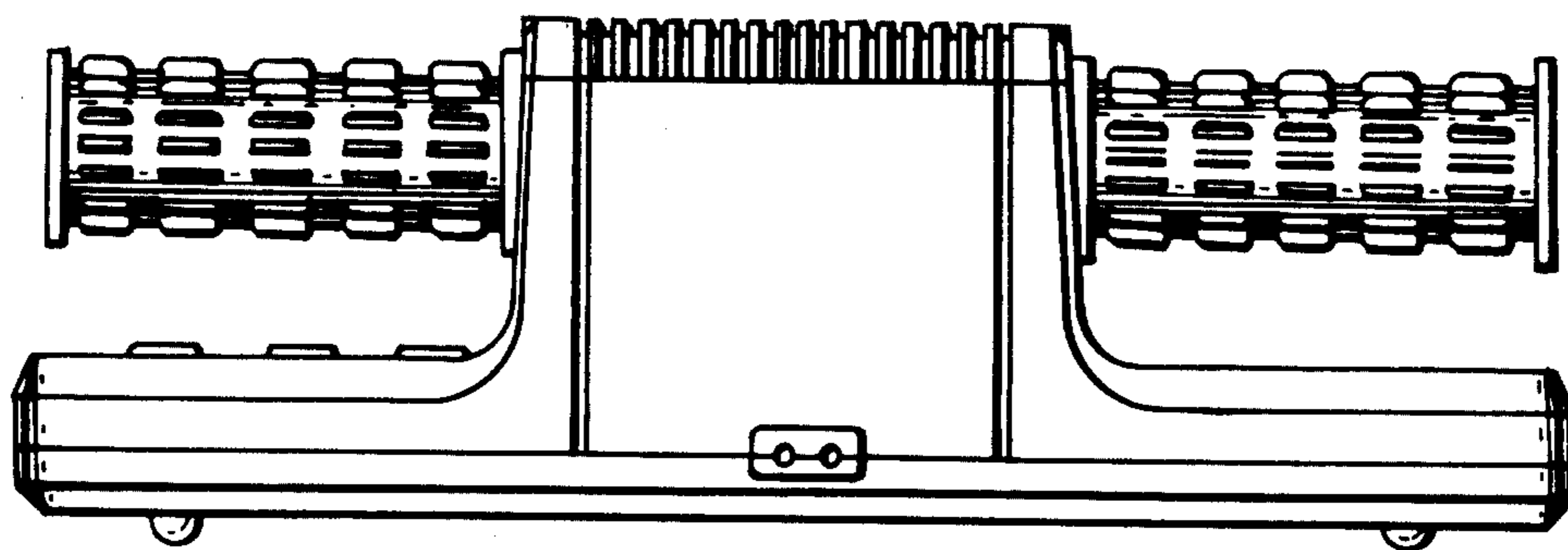


FIG. 5

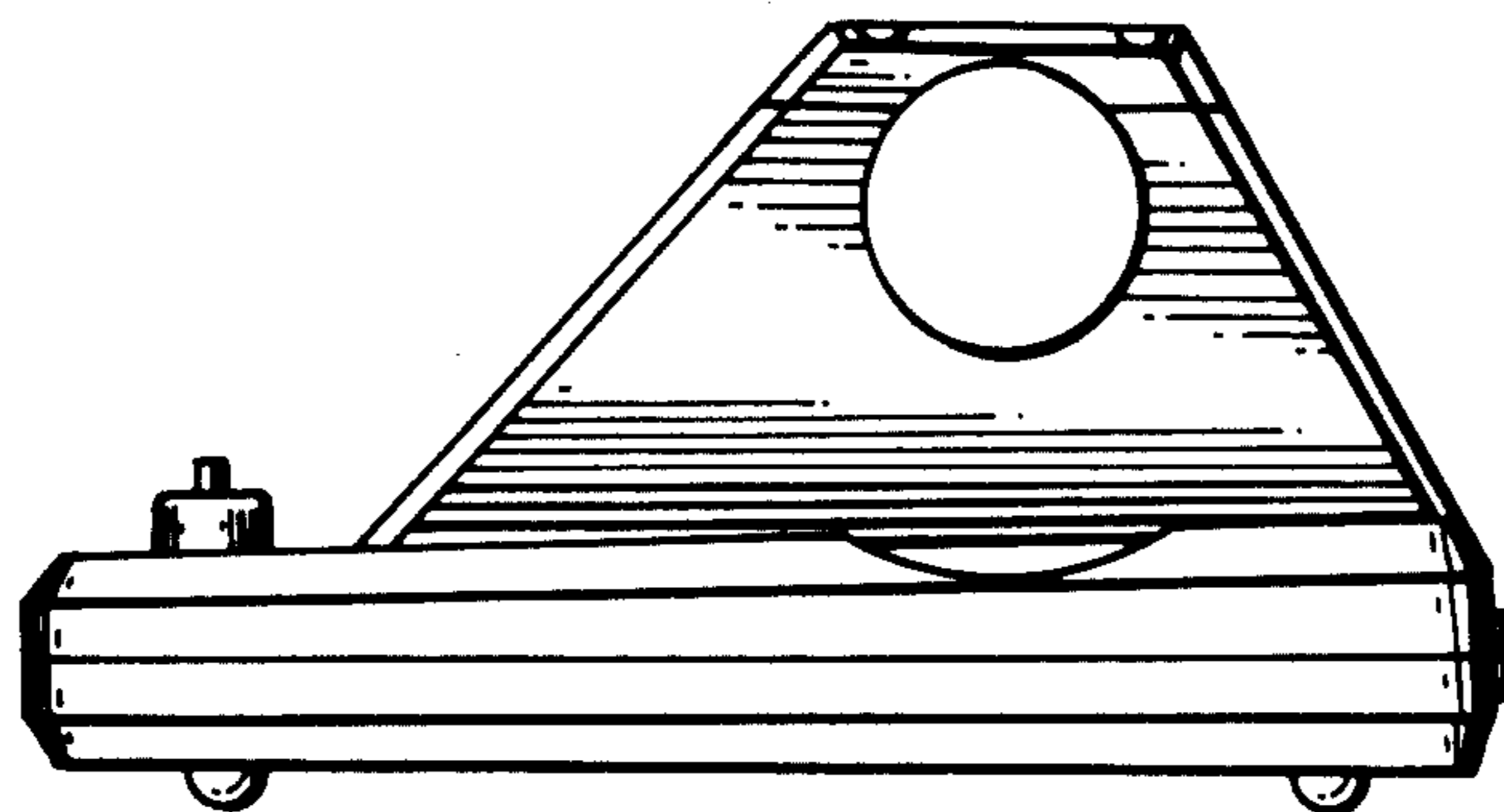


FIG. 6