

- [54] **STOVE**
- [75] **Inventor:** Carrol E. Buckner, Weaverville, N.C.
- [73] **Assignee:** Buck Stove Marketing Corporation, Asheville, N.C.
- [\*\*] **Term:** 14 Years
- [21] **Appl. No.:** 845,708
- [22] **Filed:** Oct. 26, 1977
- [51] **Int. Cl.** ..... D23—03
- [52] **U.S. Cl.** ..... D23/97
- [58] **Field of Search** ..... D23/72, 86, 89, 92, D23/93, 94, 97, 105, 107, 108, 127, 128; D7/112, 113, 114; 126/4, 6, 58, 59, 60, 62, 65, 120, 121, 123, 126, 138, 190, 200, 211, 217
- [56] **References Cited**  
**U.S. PATENT DOCUMENTS**  
 5,459 6/1873 Spear ..... 126/58

- D. 199,656 11/1964 Rogers, Jr. et al. .... D23/107
- D. 244,136 4/1977 Buckner ..... D23/107

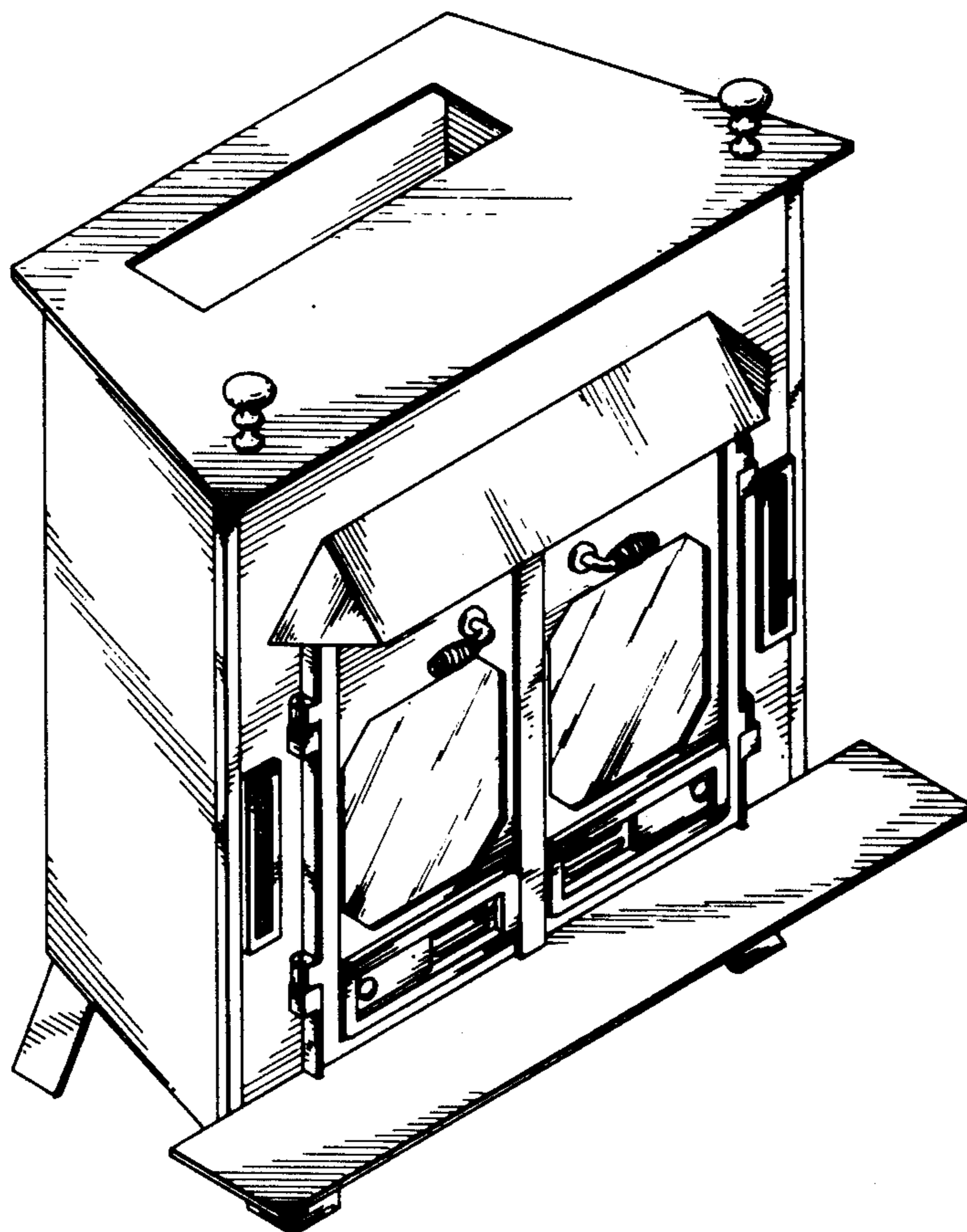
*Primary Examiner*—Wallace R. Burke  
*Assistant Examiner*—Catherine Kemper  
*Attorney, Agent, or Firm*—Perry Palan

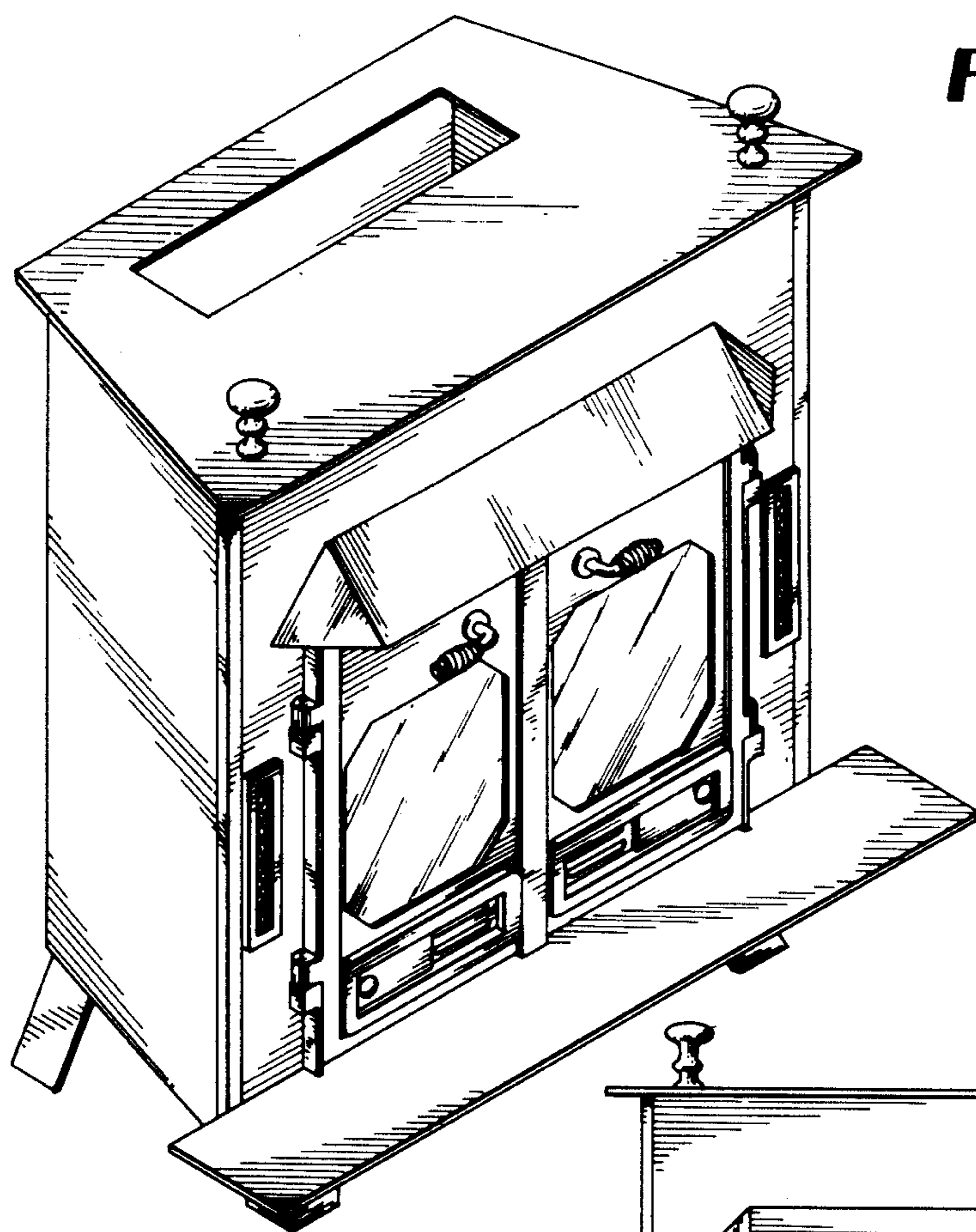
[57] **CLAIM**

The ornamental design for a stove, as shown and described.

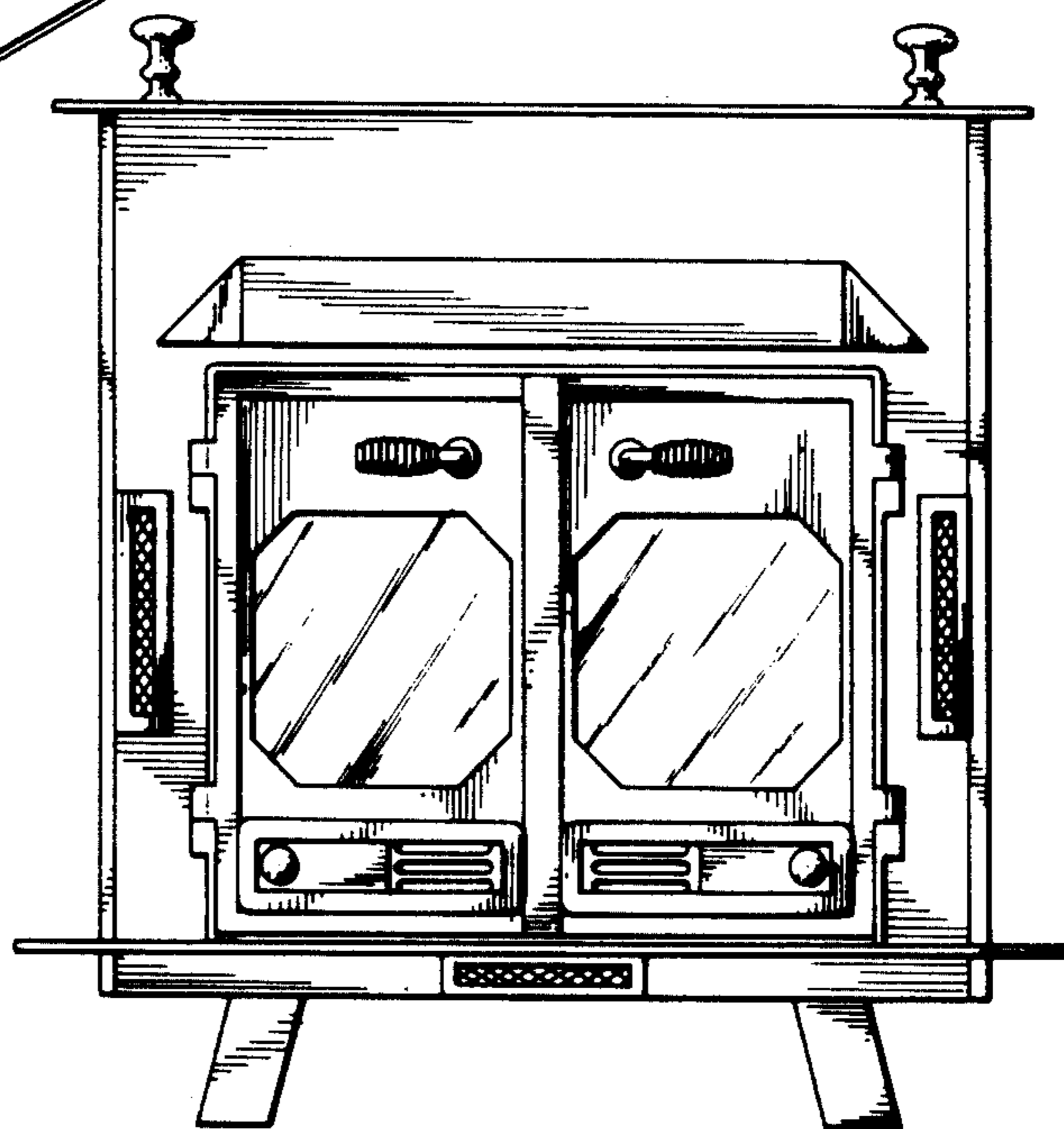
**DESCRIPTION**

FIG. 1 is a perspective view of a stove showing my new design;  
 FIG. 2 is a front elevational view thereof;  
 FIG. 3 is a left side elevational view thereof;  
 FIG. 4 is a rear elevational view thereof;  
 FIG. 5 is a top plan view thereof;  
 FIG. 6 is a perspective view of a second embodiment thereof, wherein the only difference resides in the position and configuration of the flue port,  
 FIG. 7 is a rear elevational thereof; and  
 FIG. 8 is a top plan view thereof.

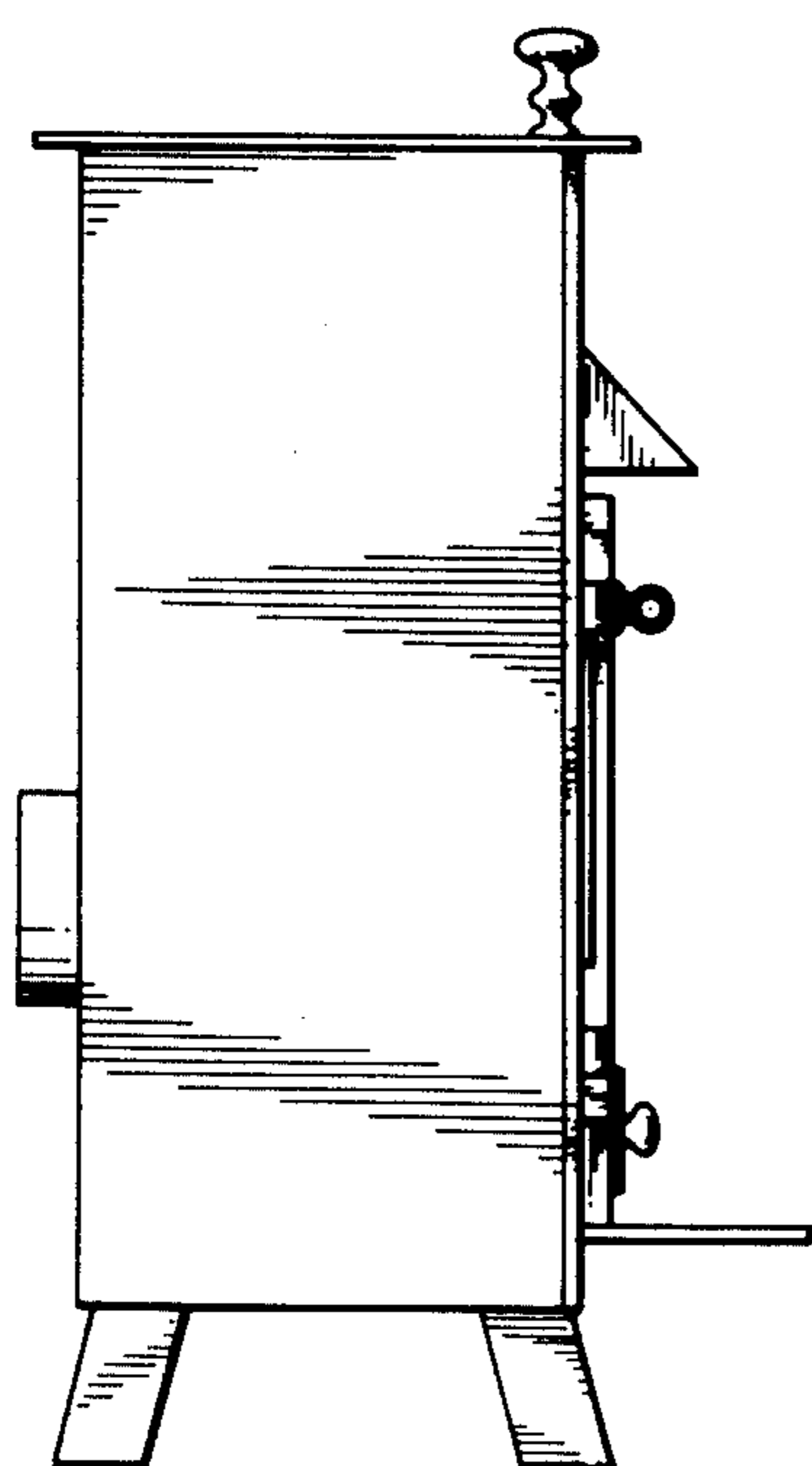




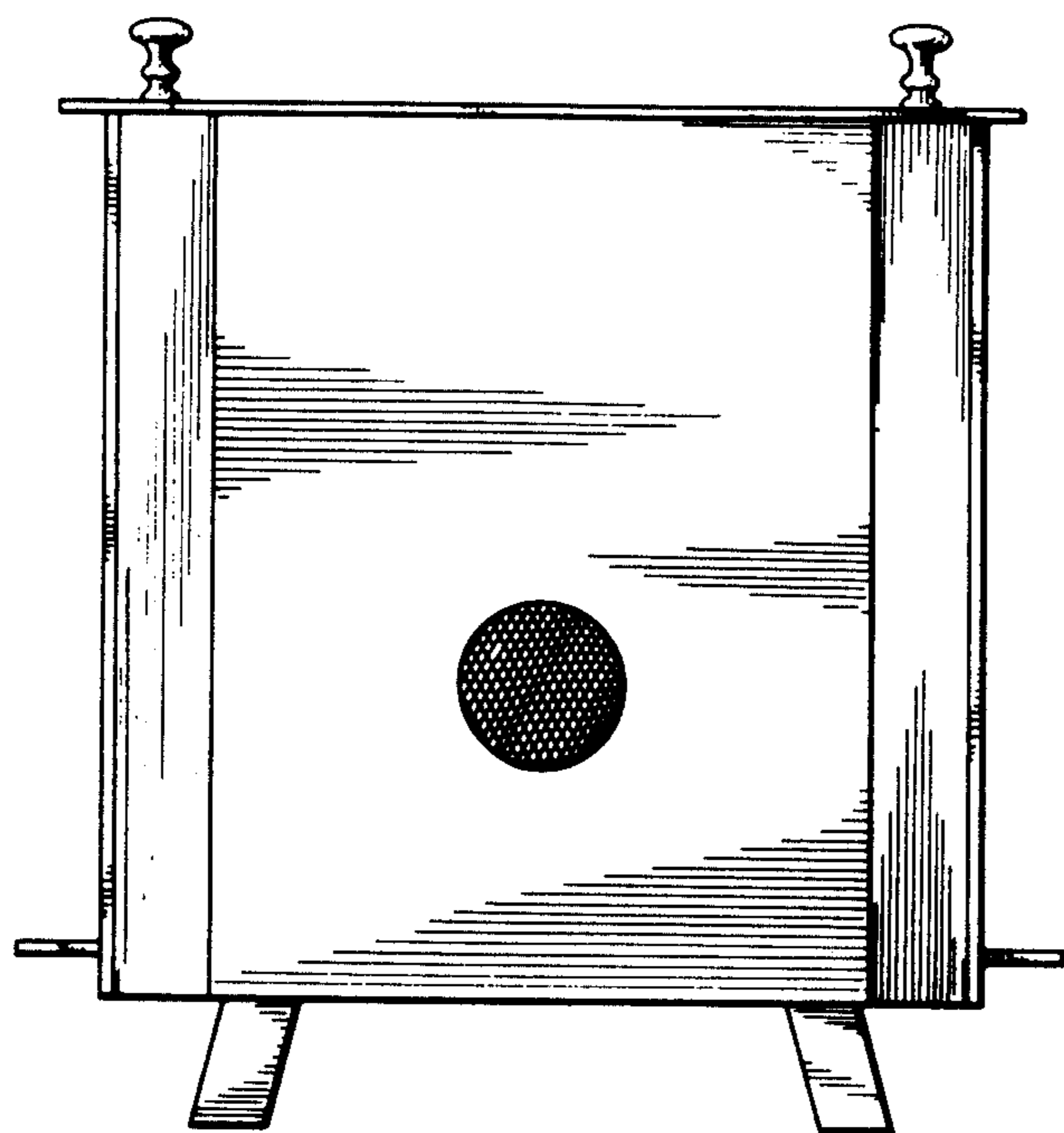
**FIG. 1**



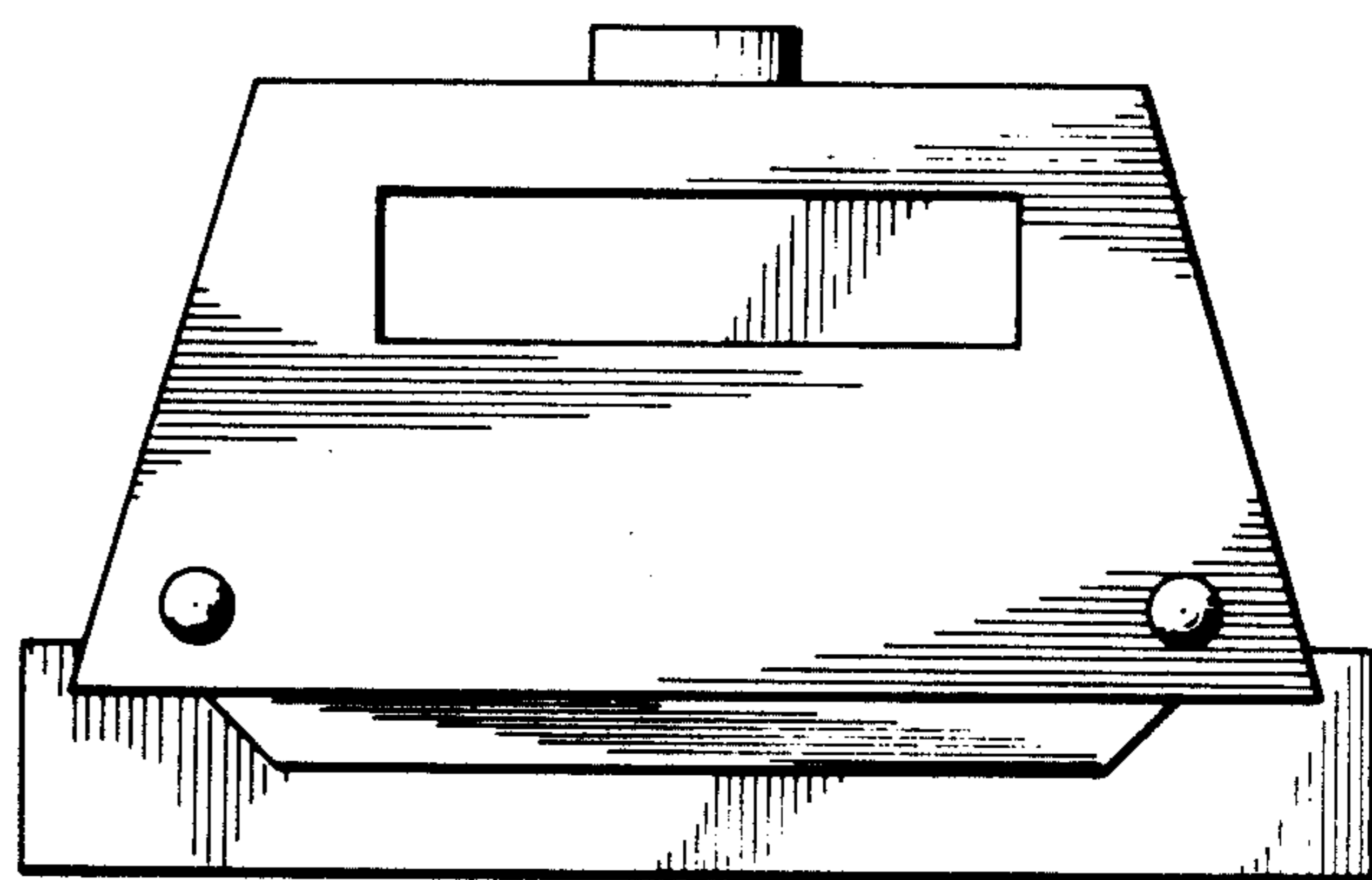
**FIG. 2**



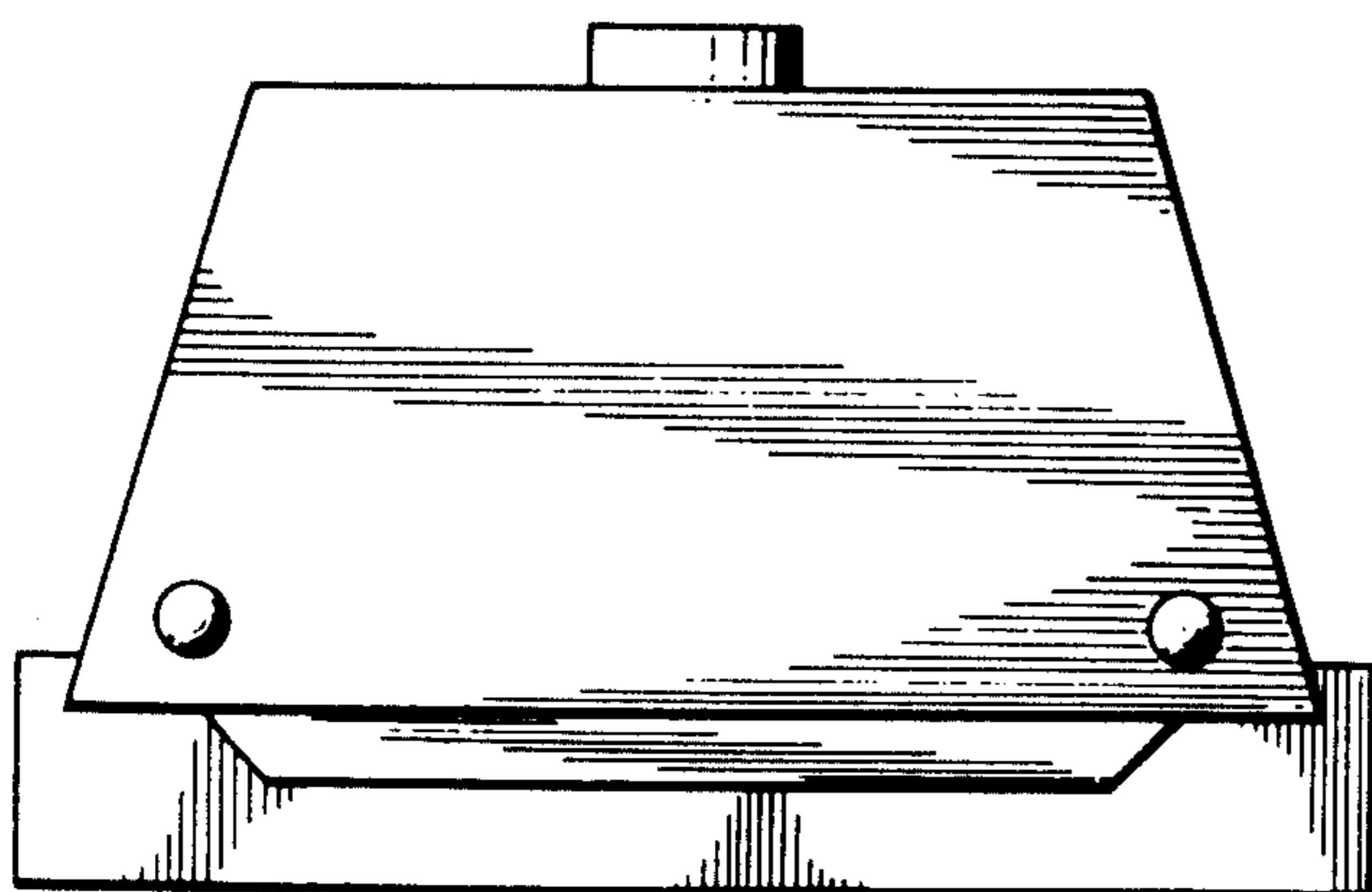
**FIG. 3**



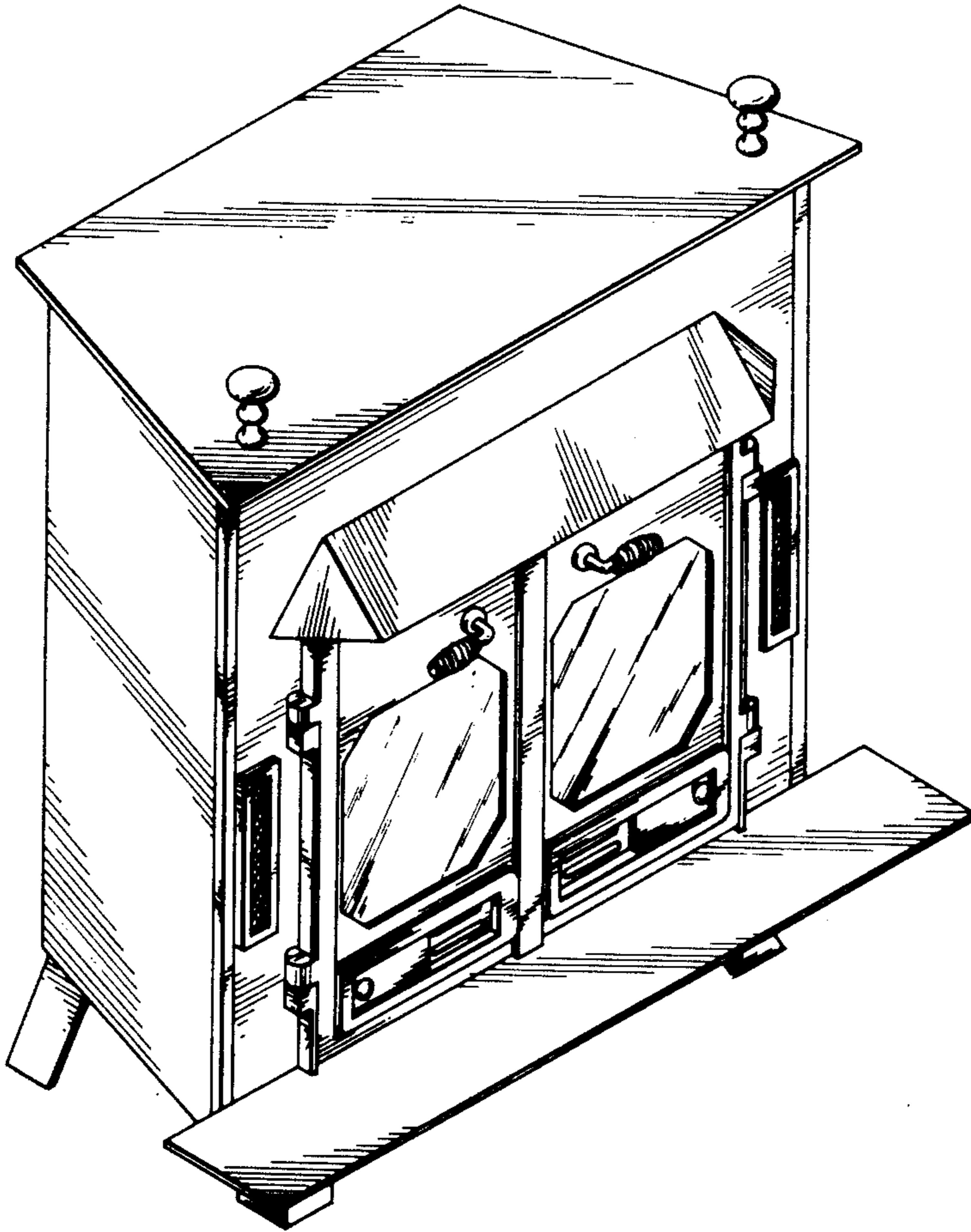
**FIG. 4**



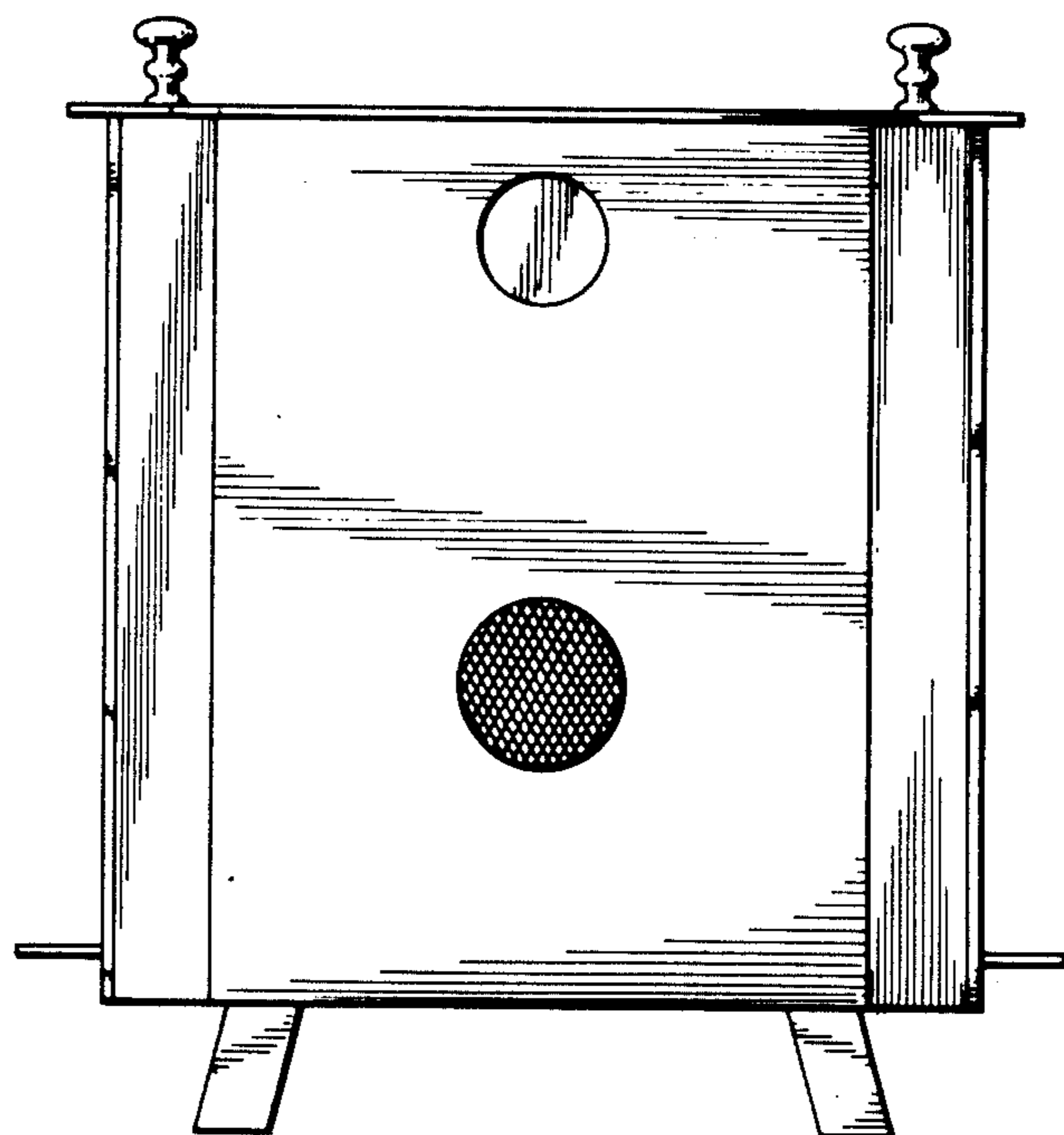
**FIG. 5**



**FIG. 8**



**FIG. 6**



**FIG. 7**