

[54] DUAL EYE WASH FOUNTAIN
 [76] Inventor: David Gardner, 31211 Paseo
 Amapola, San Juan Capistrano,
 Calif. 92675
 [**] Term: 14 Years
 [21] Appl. No.: 750,081
 [22] Filed: Dec. 13, 1976
 [51] Int. Cl. D23—01
 [52] U.S. Cl. D23/34; 239/25
 [58] Field of Search D23/34, 35; 239/25,
 239/446, 448, 449, 543

3,062,452 11/1962 Knight 239/25
 3,325,101 6/1967 Cuschera 239/25
 3,335,957 8/1967 Jacobson 239/25

Primary Examiner—James R. Lergen
 Attorney, Agent, or Firm—Edgar W. Averill

[57] CLAIM

The ornamental design for a dual eye wash fountain, as shown and described.

DESCRIPTION

FIG. 1 is a perspective view taken from the top, front and right side of a dual eye wash fountain showing my new design;
 FIG. 2 is a left side elevational view thereof;
 FIG. 3 is a rear elevational view thereof;
 FIG. 4 is a top plan view thereof;
 FIG. 5 is a bottom plan view thereof.

[56] References Cited
 U.S. PATENT DOCUMENTS
 2,994,481 8/1961 Blumberg 239/25

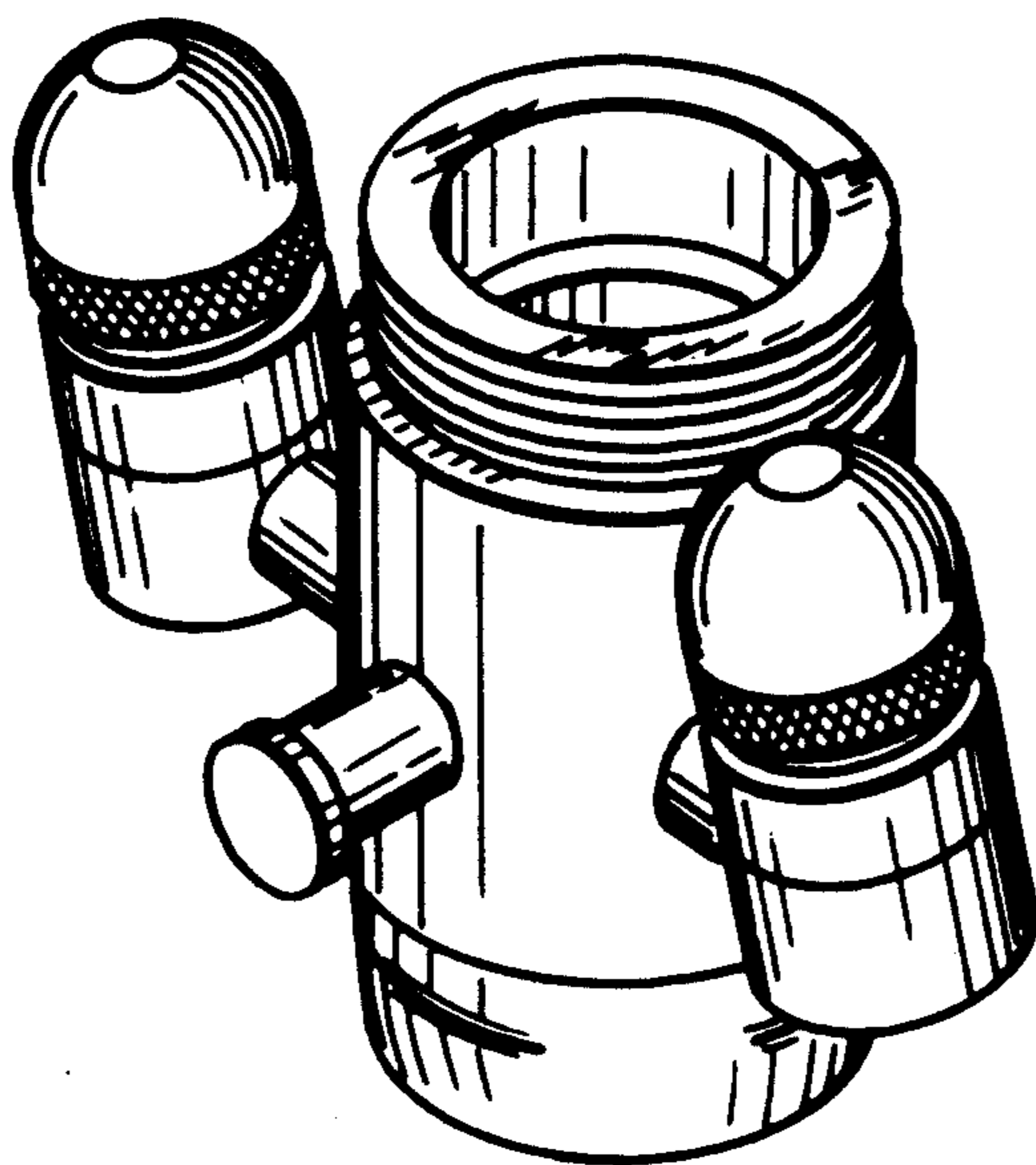


FIG. 1

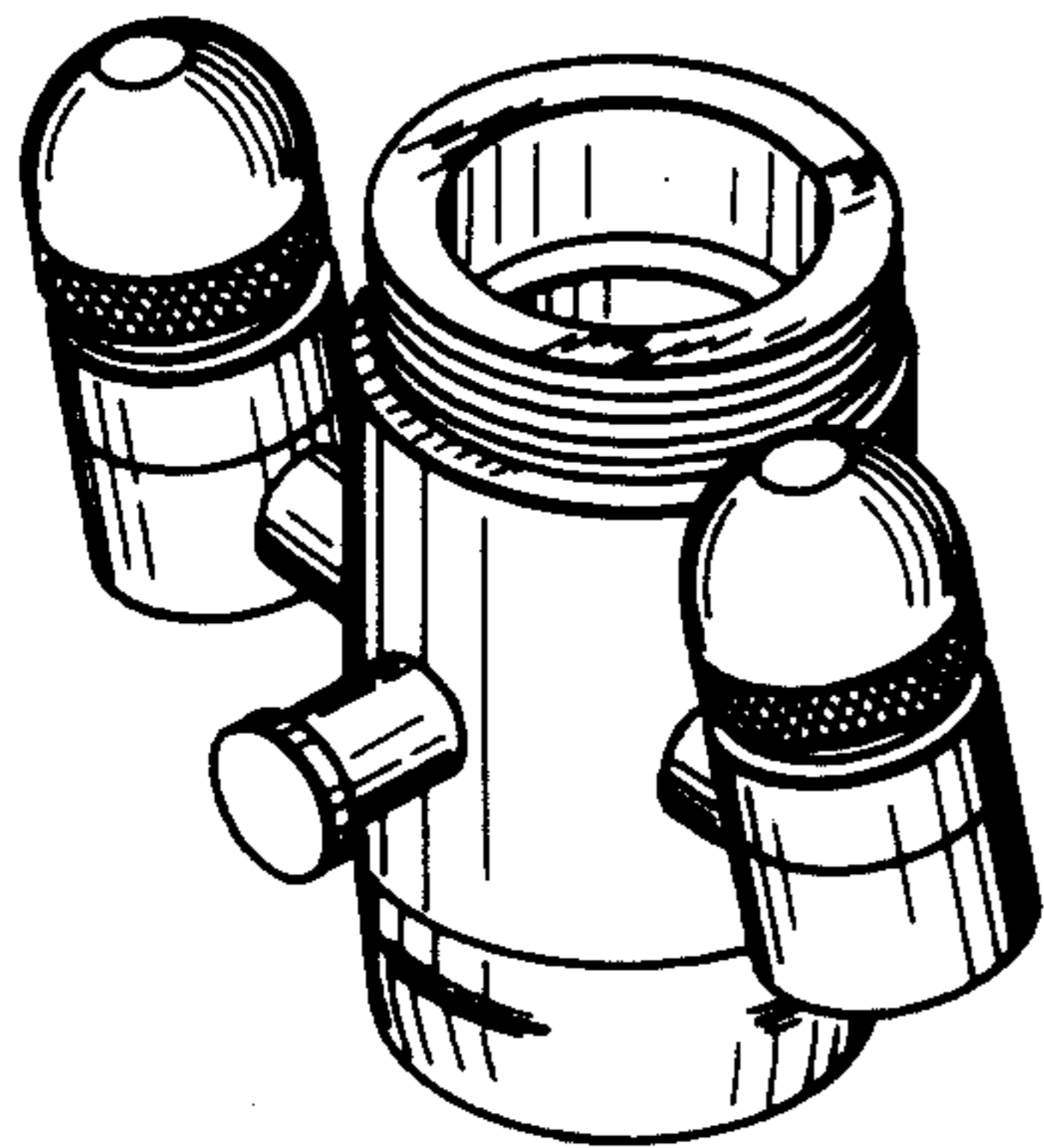


FIG. 2

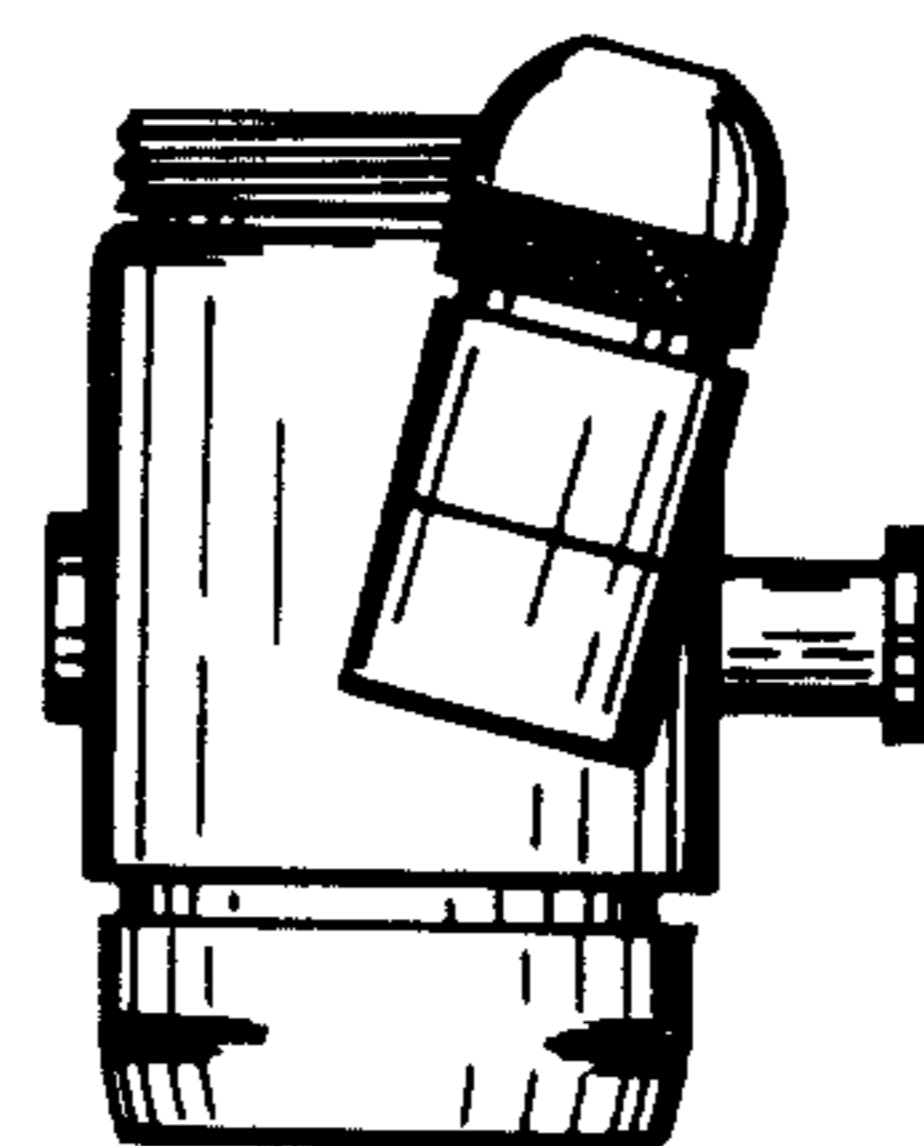


FIG. 3

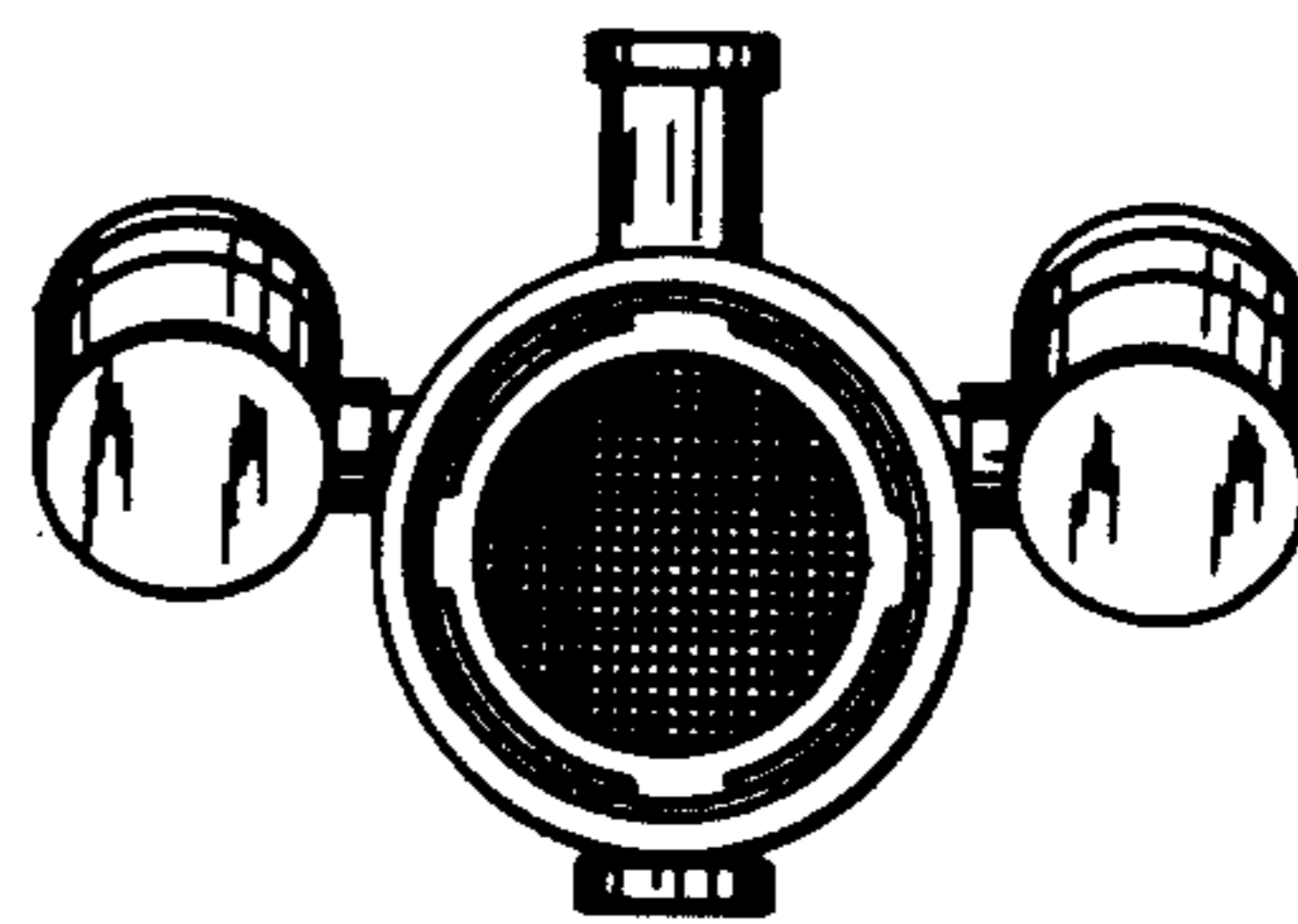
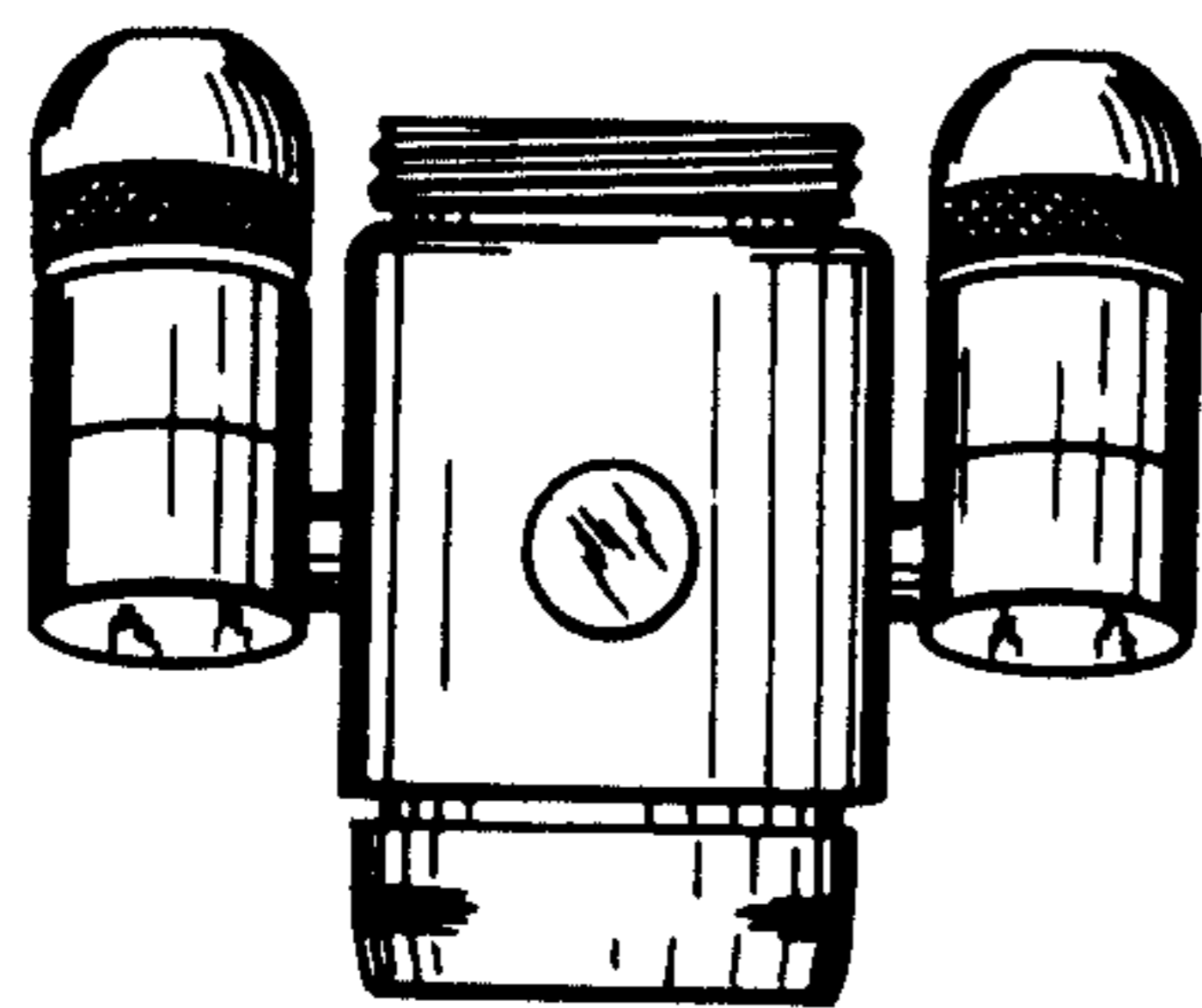


FIG. 5

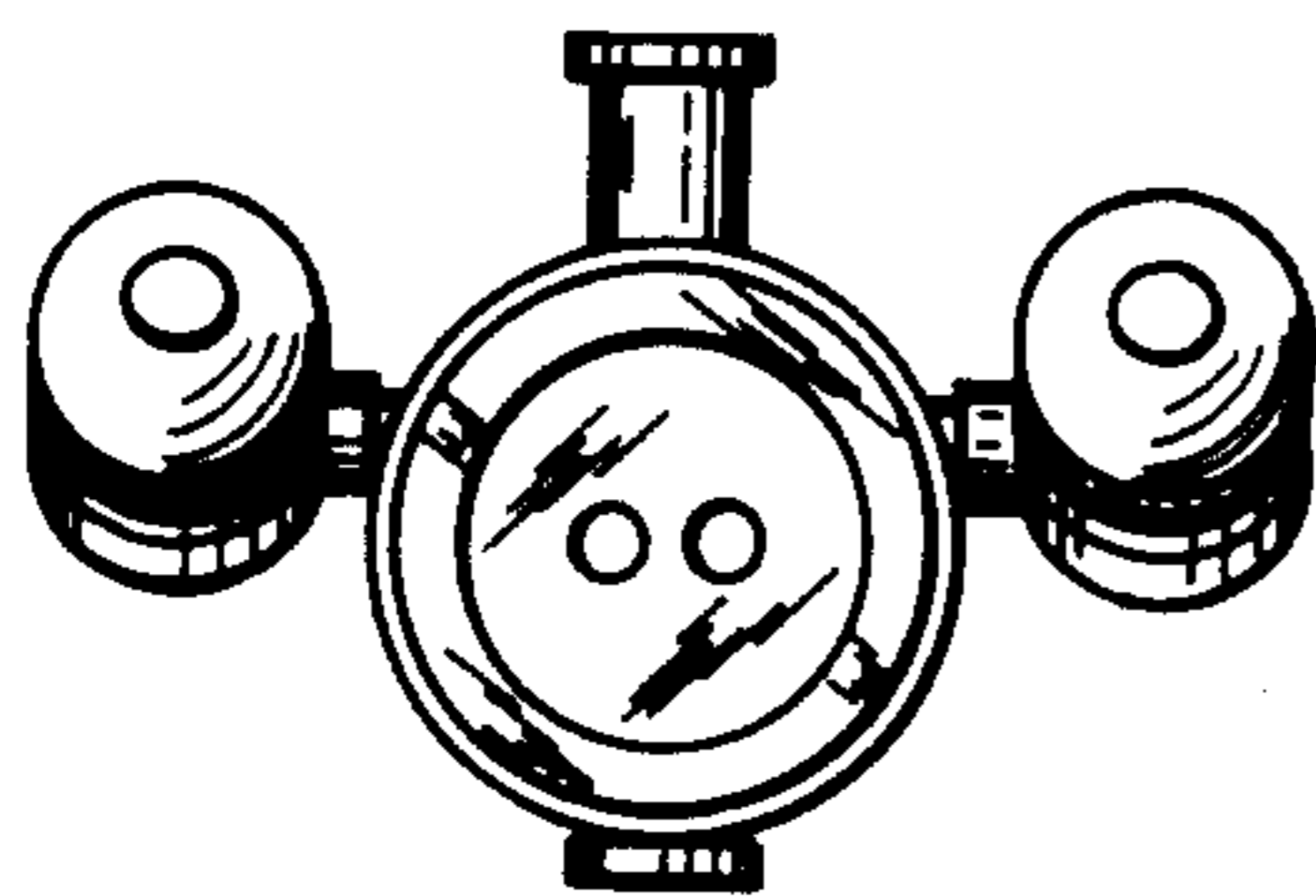


FIG. 4