

[54] STATIONERY FOLDER

[76] Inventors: Keith R. Testro, 22 Kellett Grove, North Kew, Victoria 3102; Rex C. Testro, 56 Campbell St., East Kew, Victoria 3102, both of Australia

[**] Term: 14 Years

[21] Appl. No.: 741,536

[22] Filed: Nov. 12, 1976

[51] Int. Cl. D19-04

[52] U.S. Cl. D19/26

[58] Field of Search D19/26-32; 40/102, 104.03; 281/29

[56] References Cited

U.S. PATENT DOCUMENTS

| | | | | |
|------------|---------|--------------|-------|--------|
| D. 136,862 | 12/1943 | Wollenberger | | D19/26 |
| D. 215,535 | 9/1969 | Tucker | | D19/26 |
| 3,363,349 | 1/1968 | Nelson | | D19/26 |

OTHER PUBLICATIONS

Hazel Cat., 1971-1972, p. 26, Item #499.

Primary Examiner—Joel Stearman

Assistant Examiner—George P. Word

Attorney, Agent, or Firm—John W. Malley

[57] CLAIM

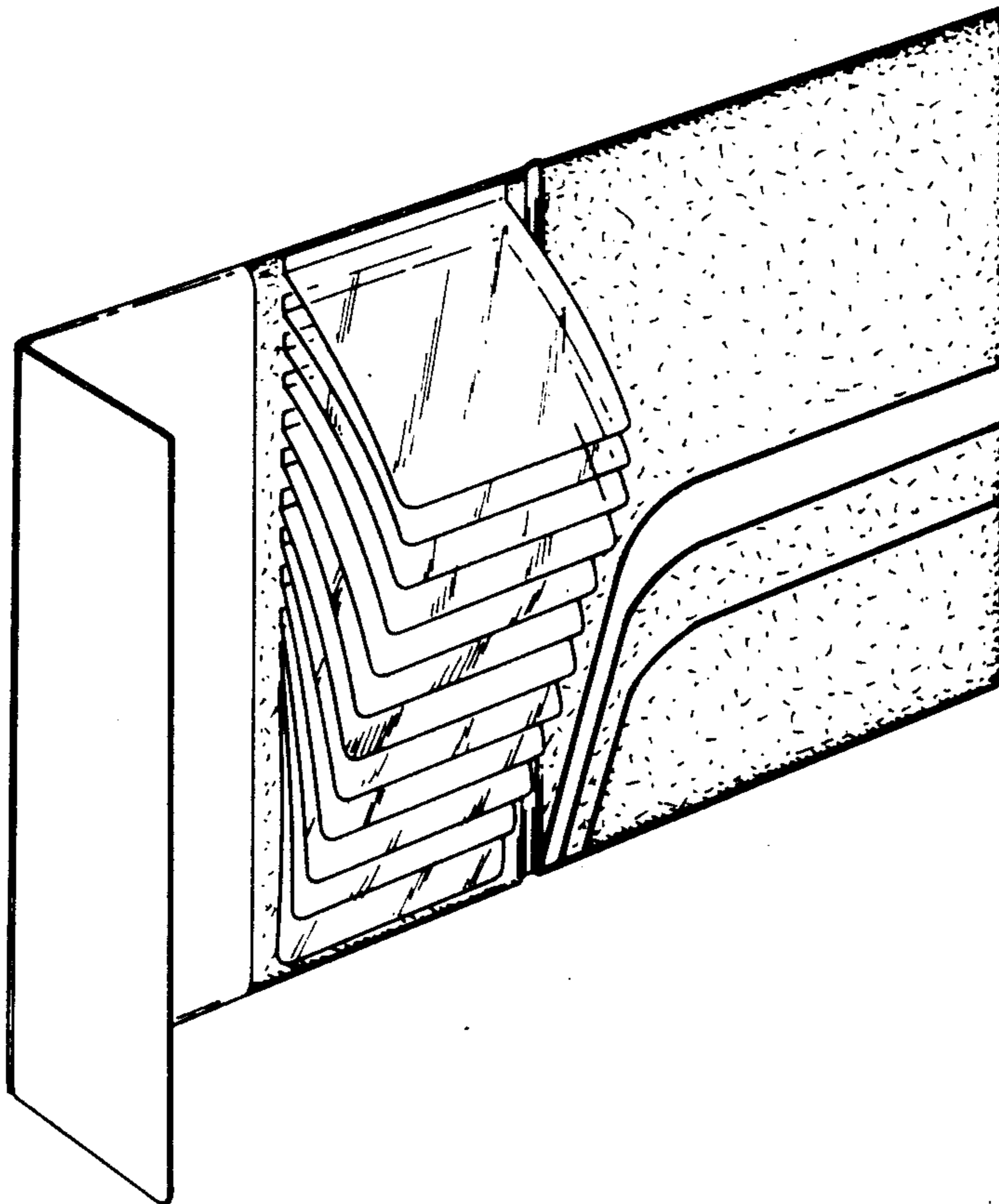
The ornamental design for a stationery folder, as shown and described.

DESCRIPTION

FIG. 1 is a perspective view of a stationery folder showing our new design, the folder being in a closed condition; and

FIG. 2 is a perspective view of the stationery folder shown with the left-hand flap partially opened and the right-hand flap fully opened.

In FIG. 1 the side not shown is the same as the side shown. In FIG. 2 the side of the small flap not shown is the same as the side shown.



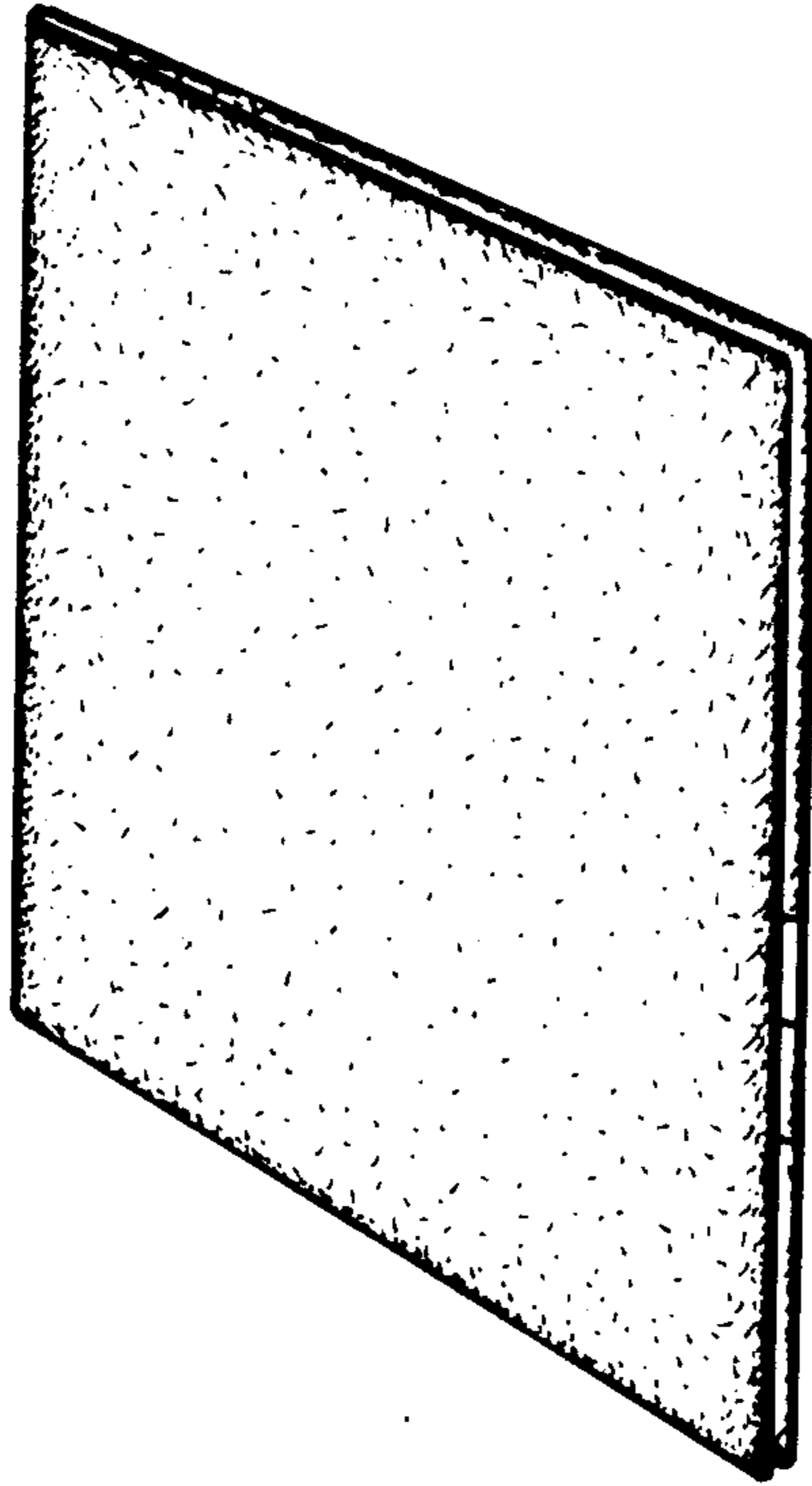


FIG. 1.

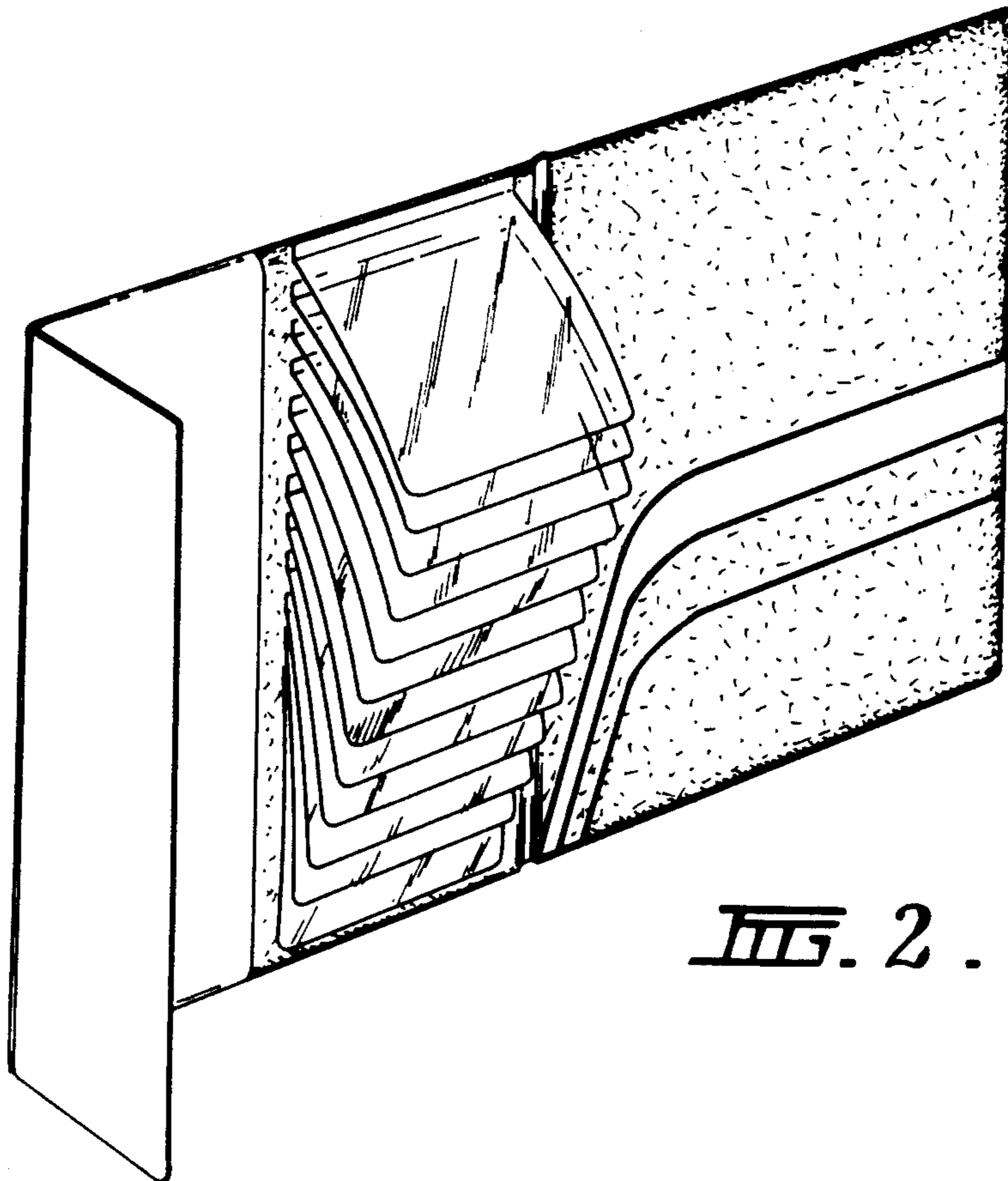


FIG. 2.