

[54] LOUDSPEAKER

[75] Inventors: Dale A. Nussdorfer; William L. Hayes, both of Anaheim, Calif.

[73] Assignee: Altec Corporation, Anaheim, Calif.

[**] Term: 14 Years

[21] Appl. No.: 677,284

[22] Filed: Apr. 15, 1976

[51] Int. Cl. D14-01

[52] U.S. Cl. D14/30

[58] Field of Search 179/1 E, 179, 115.5 R; D14/30; 181/198, 199, 174

[56] References Cited

U.S. PATENT DOCUMENTS

- D. 188,541 8/1960 Matsuoka et al. D14/30
- D. 192,290 2/1972 Johnson et al. D14/30

D. 239,538 4/1976 Wagner D14/30

OTHER PUBLICATIONS

Stereo/Hi-Fi 1963, Directory, p. 95, Electro-Voice Loudspeaker.
Cerwin-Vega Speaker brochure, loudspeaker, lower right center of page.

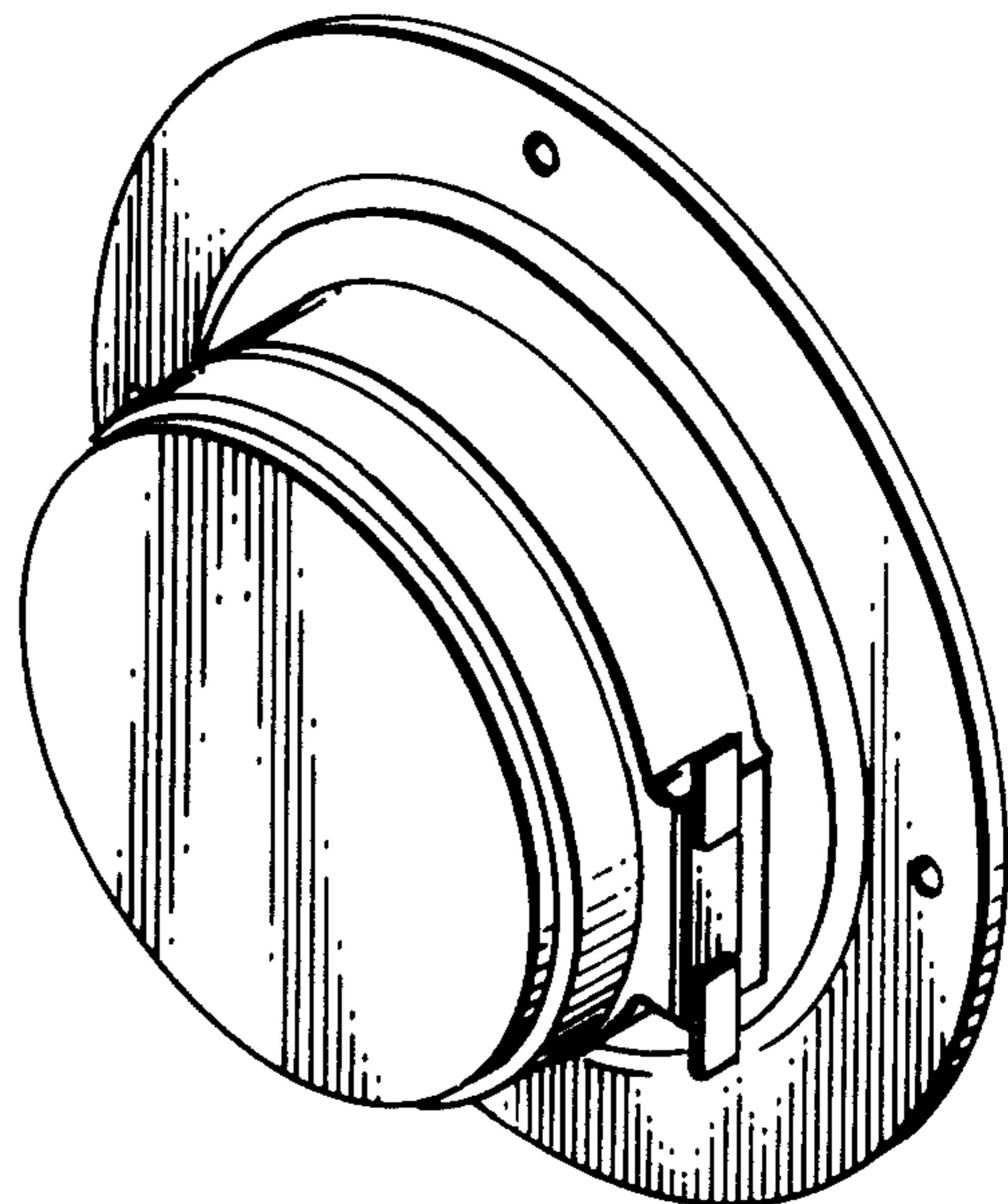
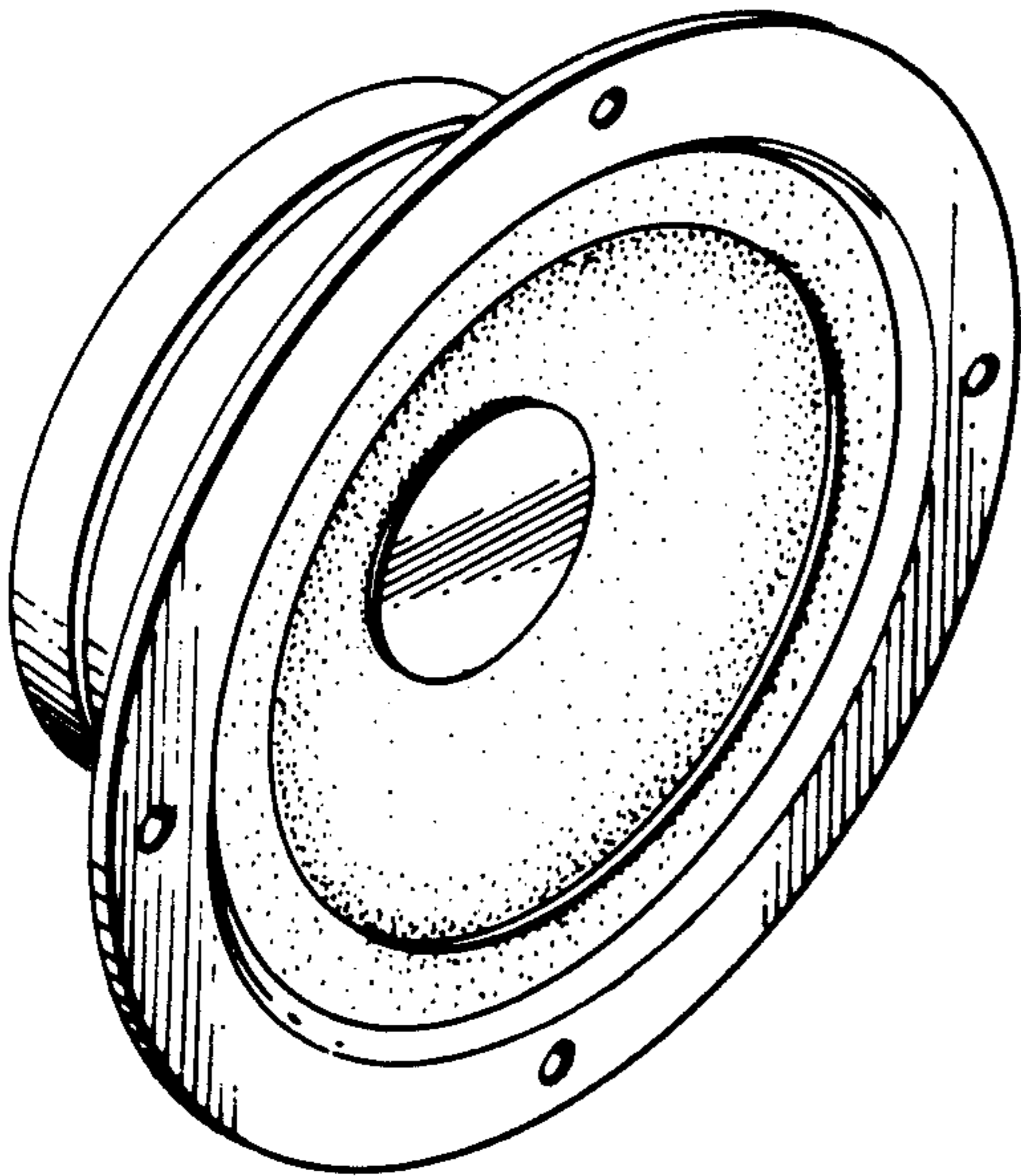
Primary Examiner—Bernard Ansher
Attorney, Agent, or Firm—Edward A. Sokolski

[57] CLAIM

The ornamental design for a loudspeaker, as shown.

DESCRIPTION

FIG. 1 is a front perspective view of our loudspeaker; FIG. 2 is a rear perspective view of our loudspeaker; FIG. 3 is a front elevational view of our loudspeaker; FIG. 4 is a rear elevational view of our loudspeaker; and FIG. 5 is a side elevational view of our loudspeaker.



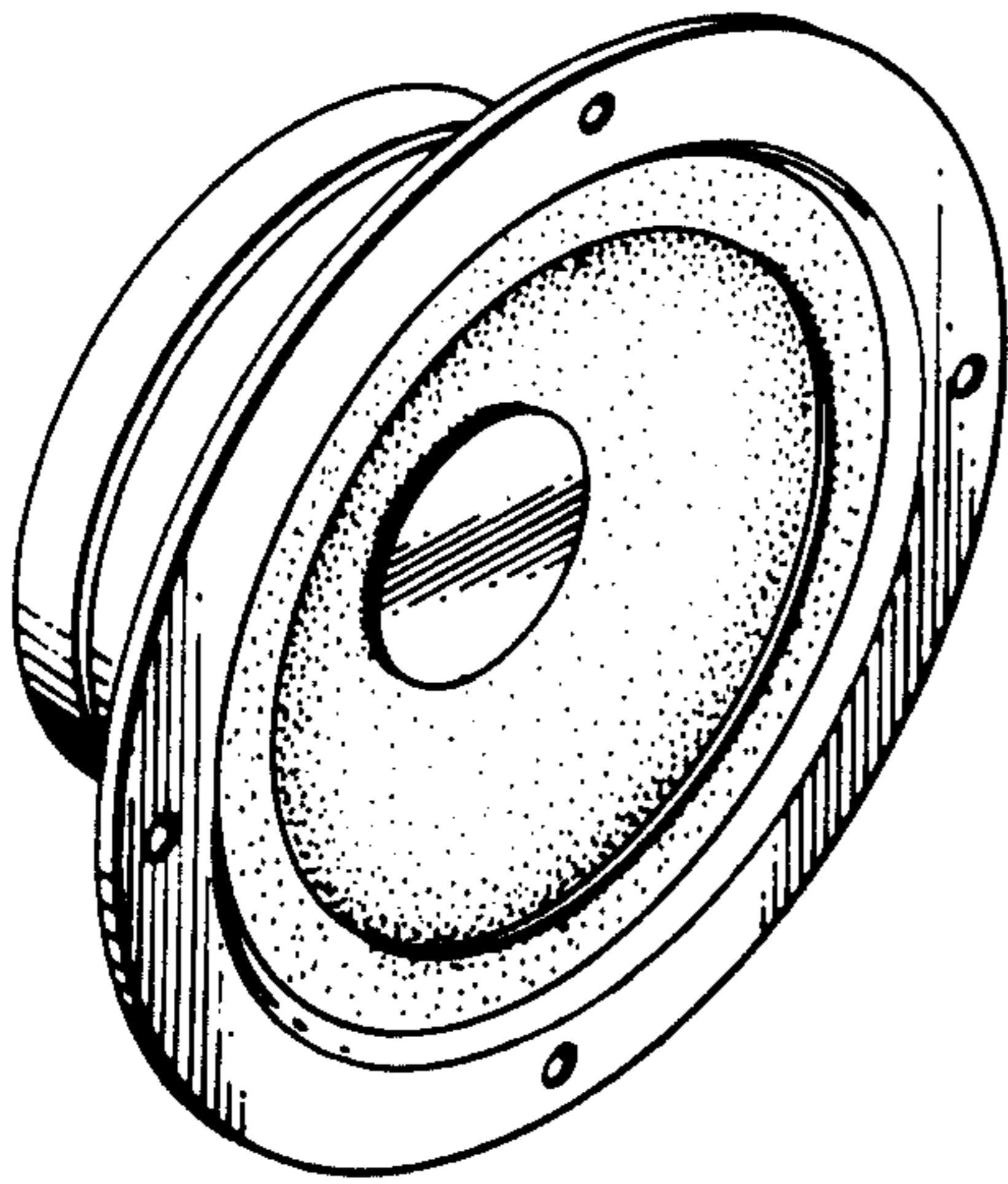


Fig. 1

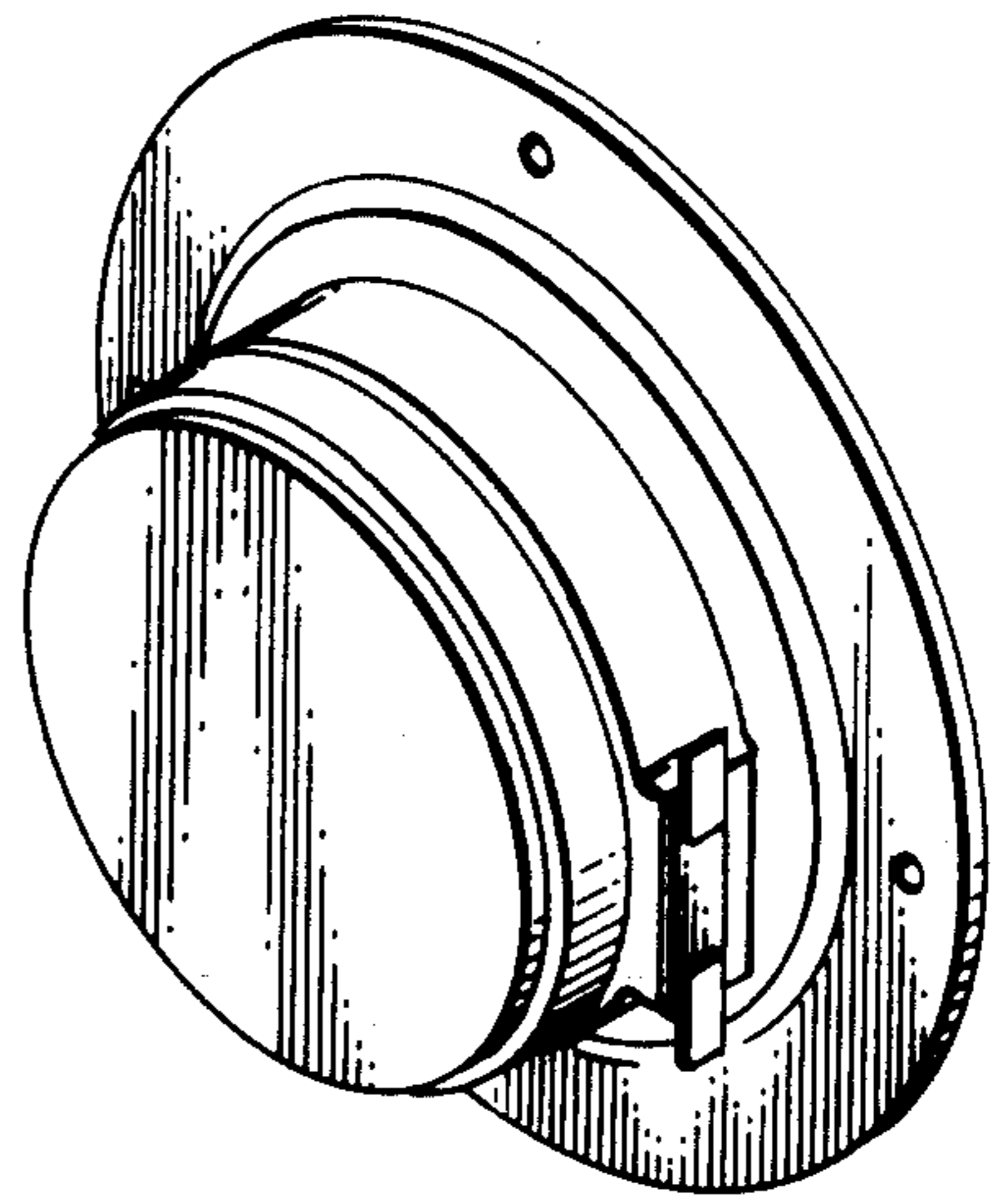


Fig. 2

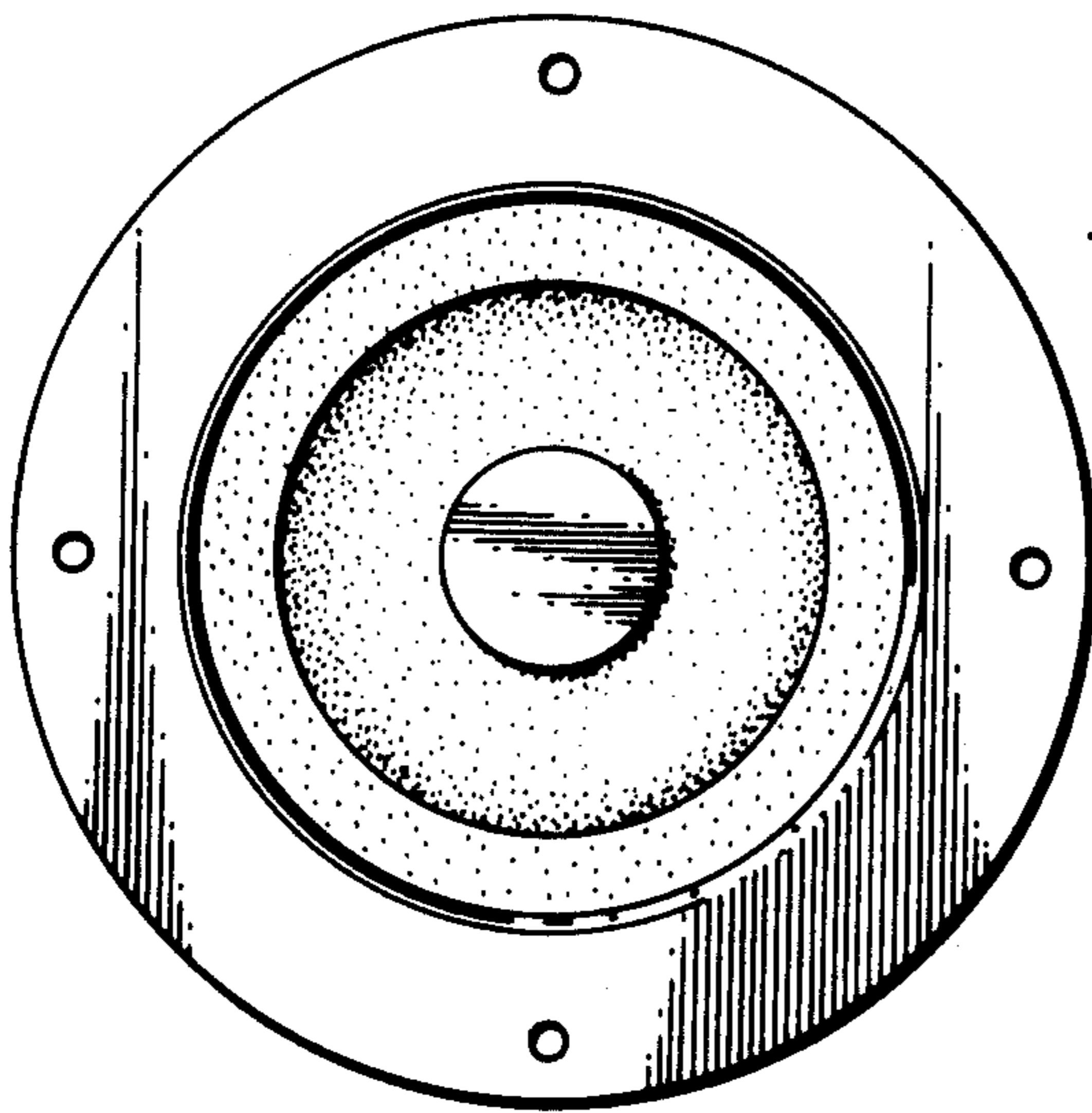


Fig. 3

Fig. 4

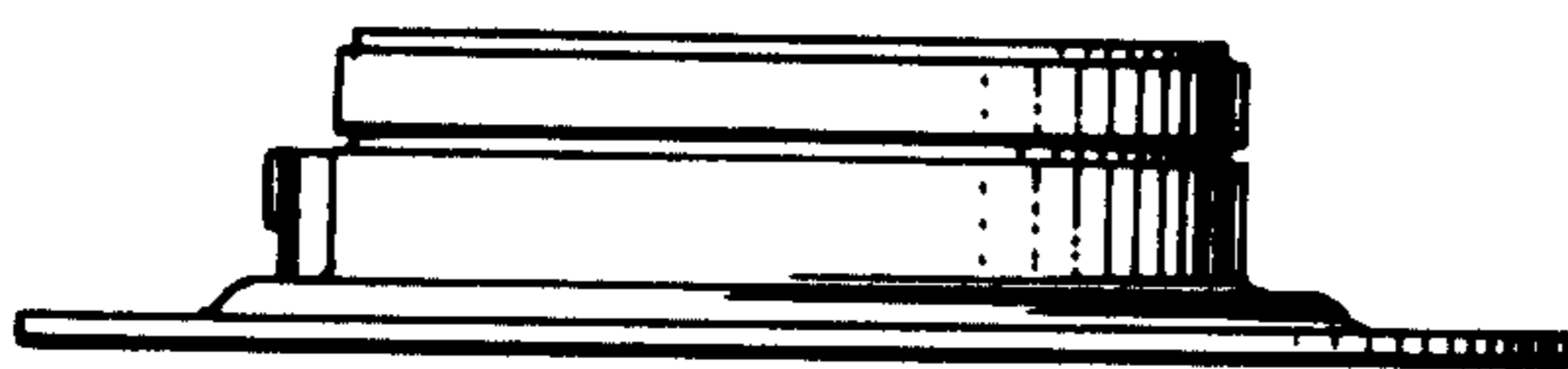
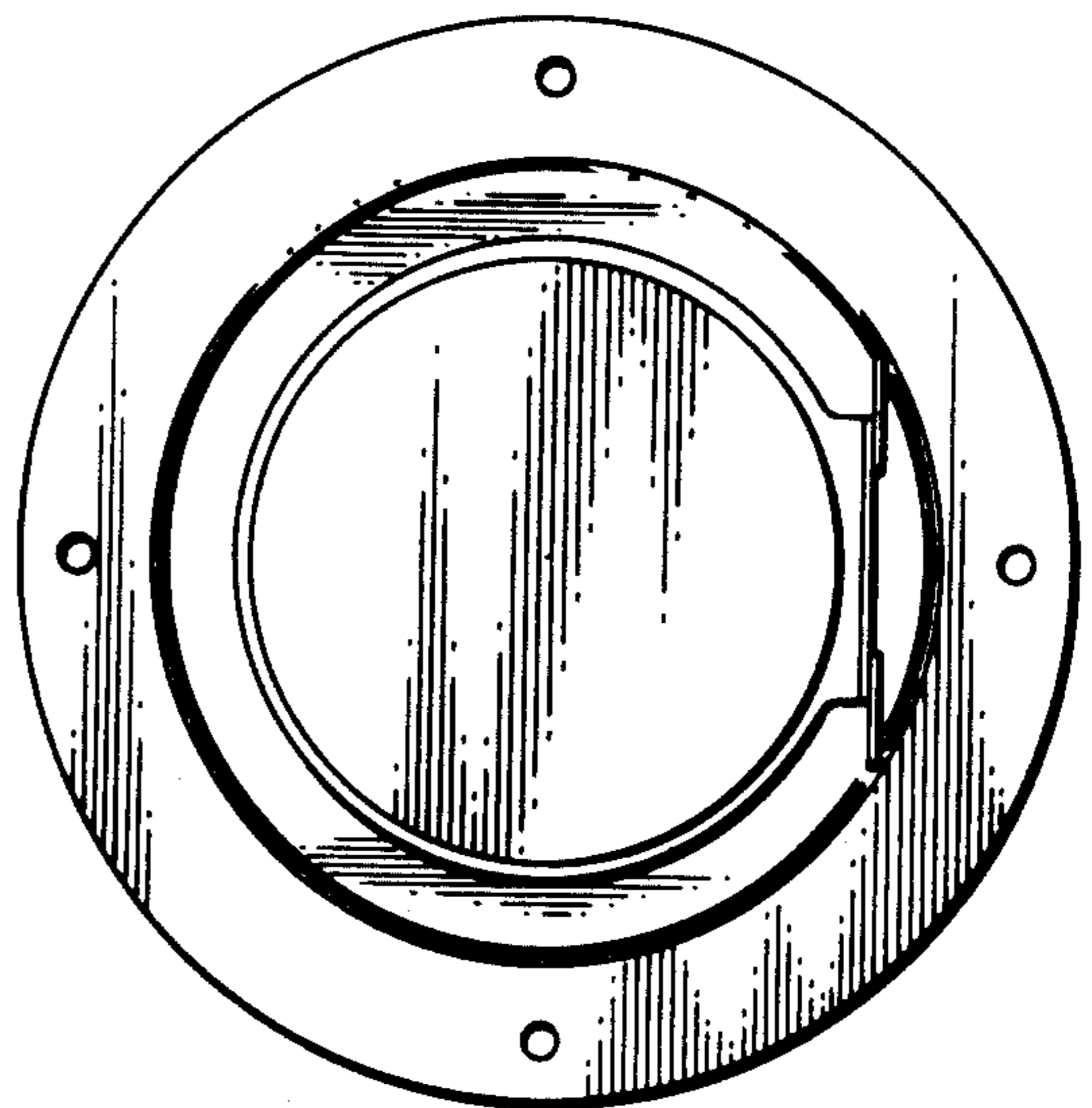


Fig. 5