

[54] STARFINDER

[75] Inventors: B. C. Thompson; Marvin W. Lutes, both of Arlington, Tex.

[73] Assignee: RoVi Plastics, Inc., Fort Worth, Tex.

[**] Term: 14 Years

[21] Appl. No.: 742,760

[22] Filed: Nov. 18, 1976

[51] Int. Cl. D10-04

[52] U.S. Cl. D10/65; D10/66

[58] Field of Search D10/46, 61, 65, 66, D10/45; 33/281

[56] References Cited

U.S. PATENT DOCUMENTS

1,298,498 3/1919 Hammitt 33/281

FOREIGN PATENT DOCUMENTS

92569 6/1938 Sweden 33/281

Primary Examiner—Nelson C. Holtje
Attorney, Agent, or Firm—Charles W. McHugh

[57] CLAIM

The ornamental design for a starfinder, as shown and described.

DESCRIPTION

FIG. 1 is a perspective view of the starfinder showing our new design as seen from a position which may be referred to as the upper right front; FIG. 2 is a front elevation view thereof; FIG. 3 is a right side view thereof; FIG. 4 is a top view thereof; FIG. 5 is a rear elevational view thereof; FIG. 6 is a left side view thereof; and FIG. 7 is a bottom view thereof.

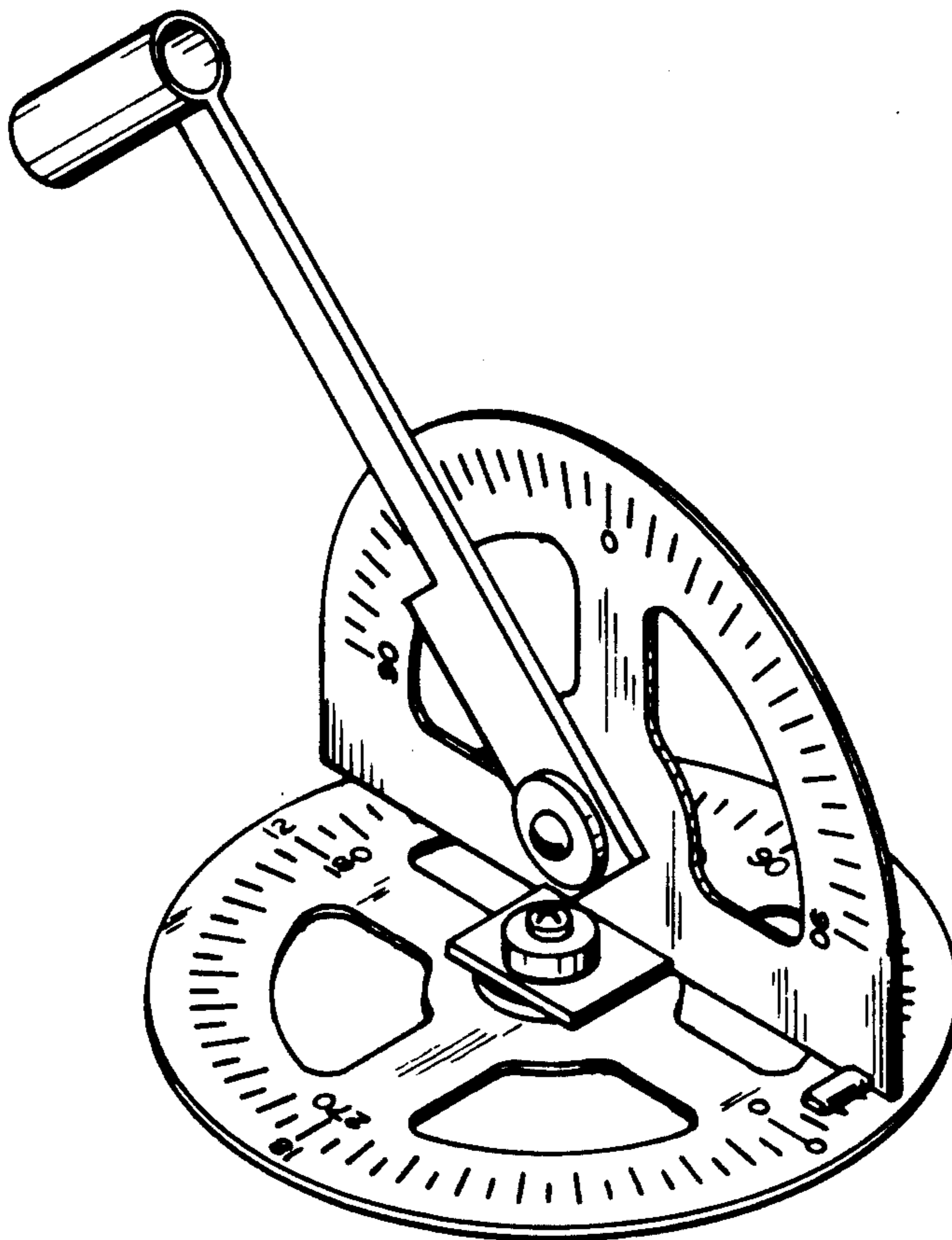


FIG. 1

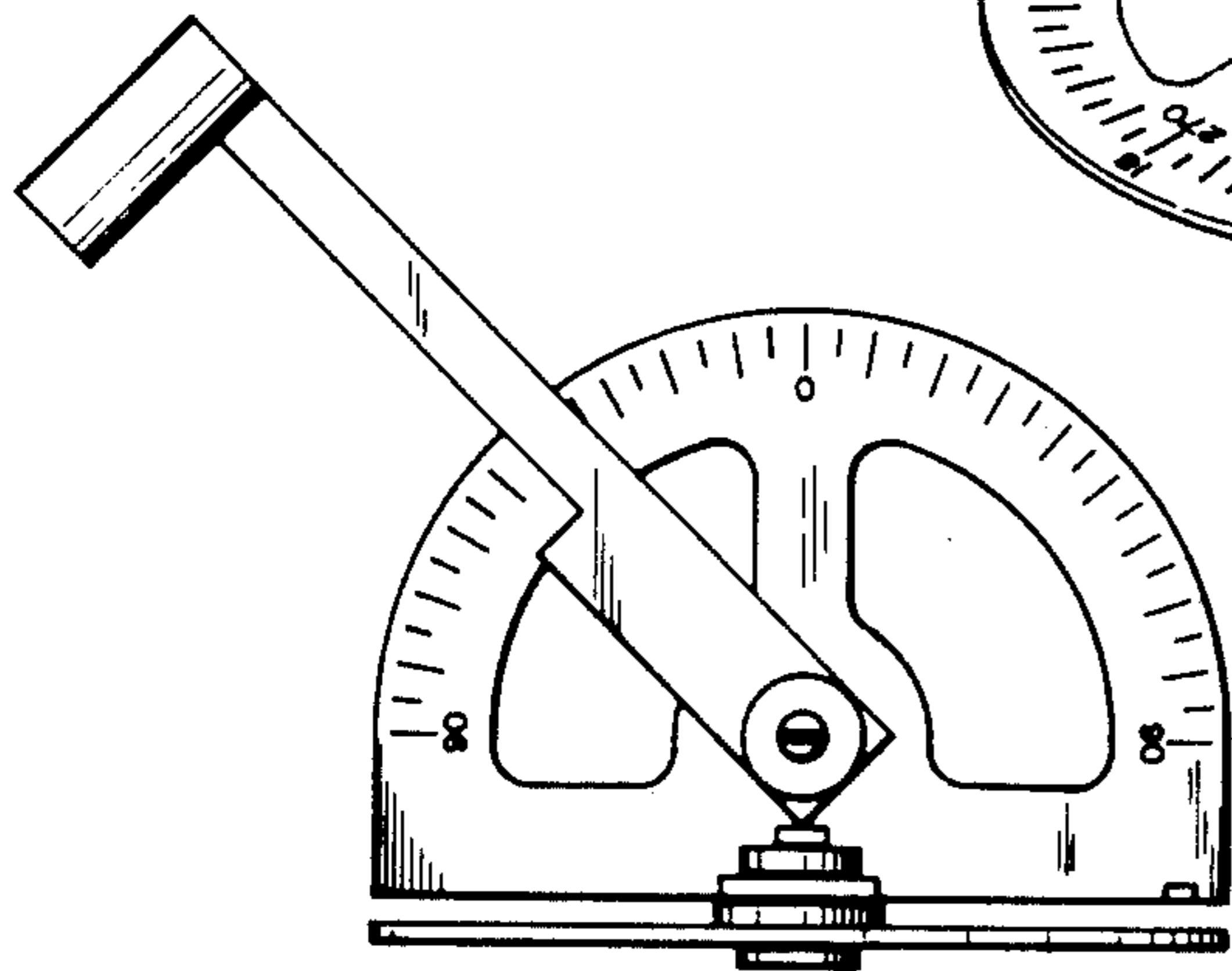
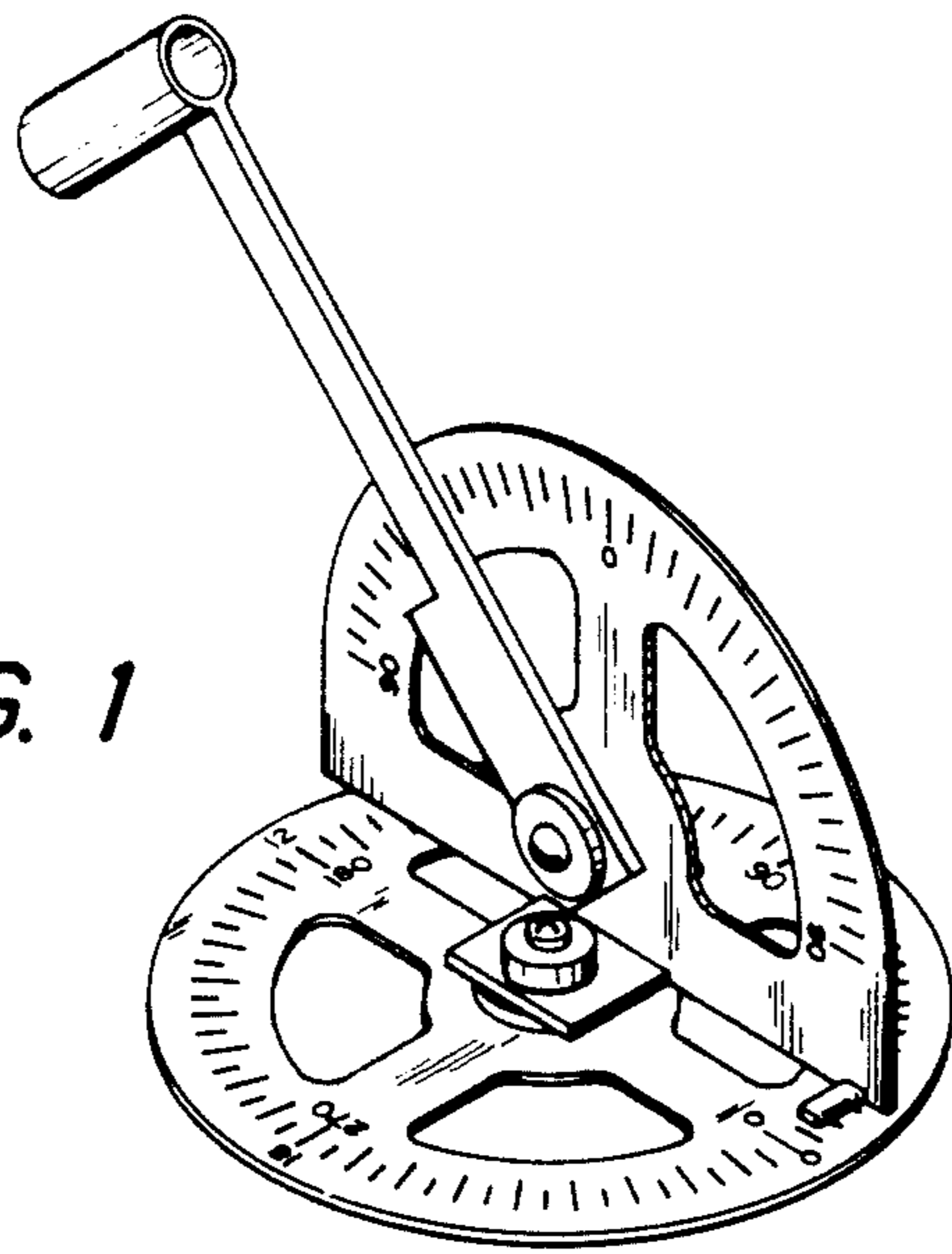


FIG. 2

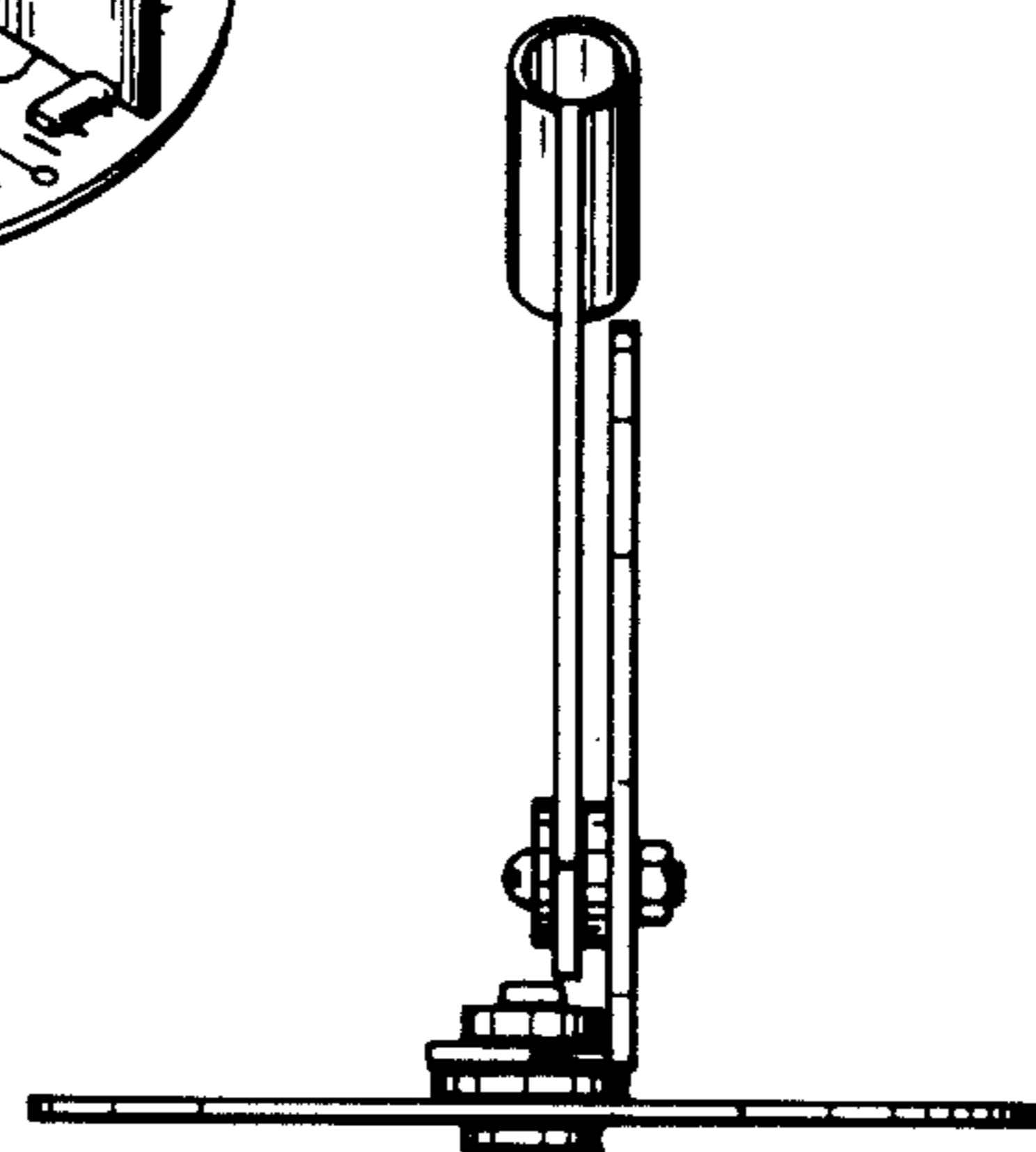


FIG. 3

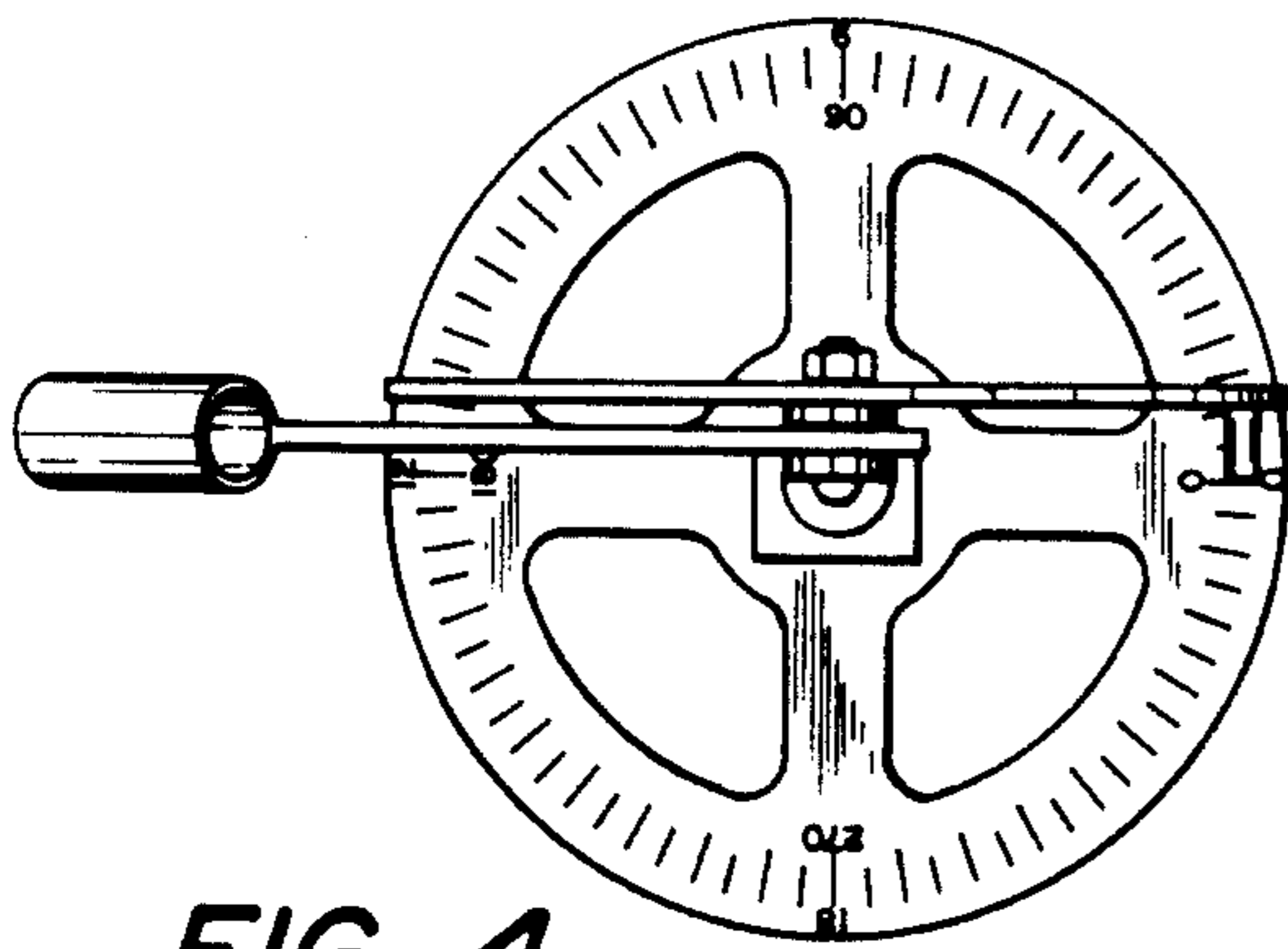


FIG. 4

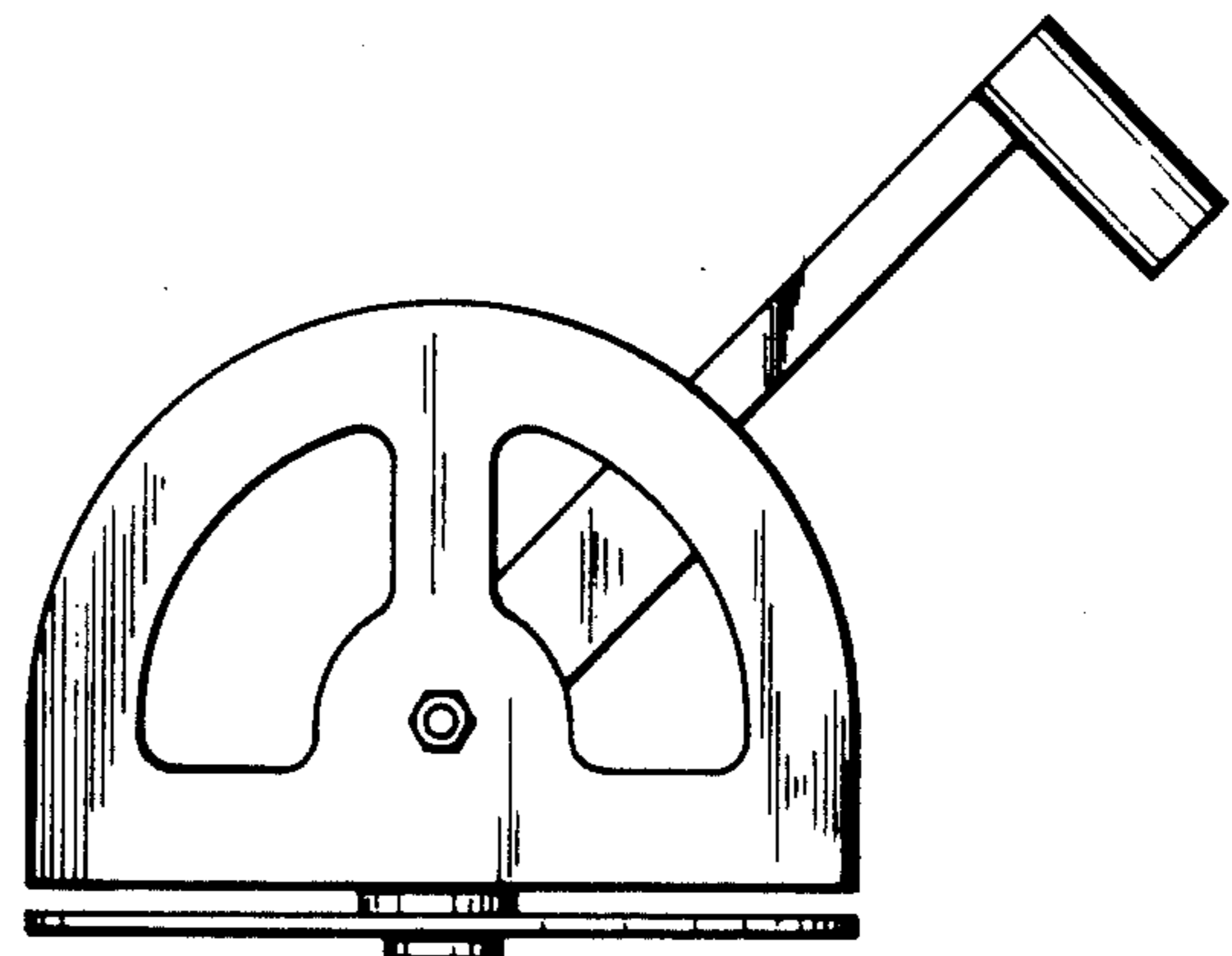


FIG. 5

FIG. 6

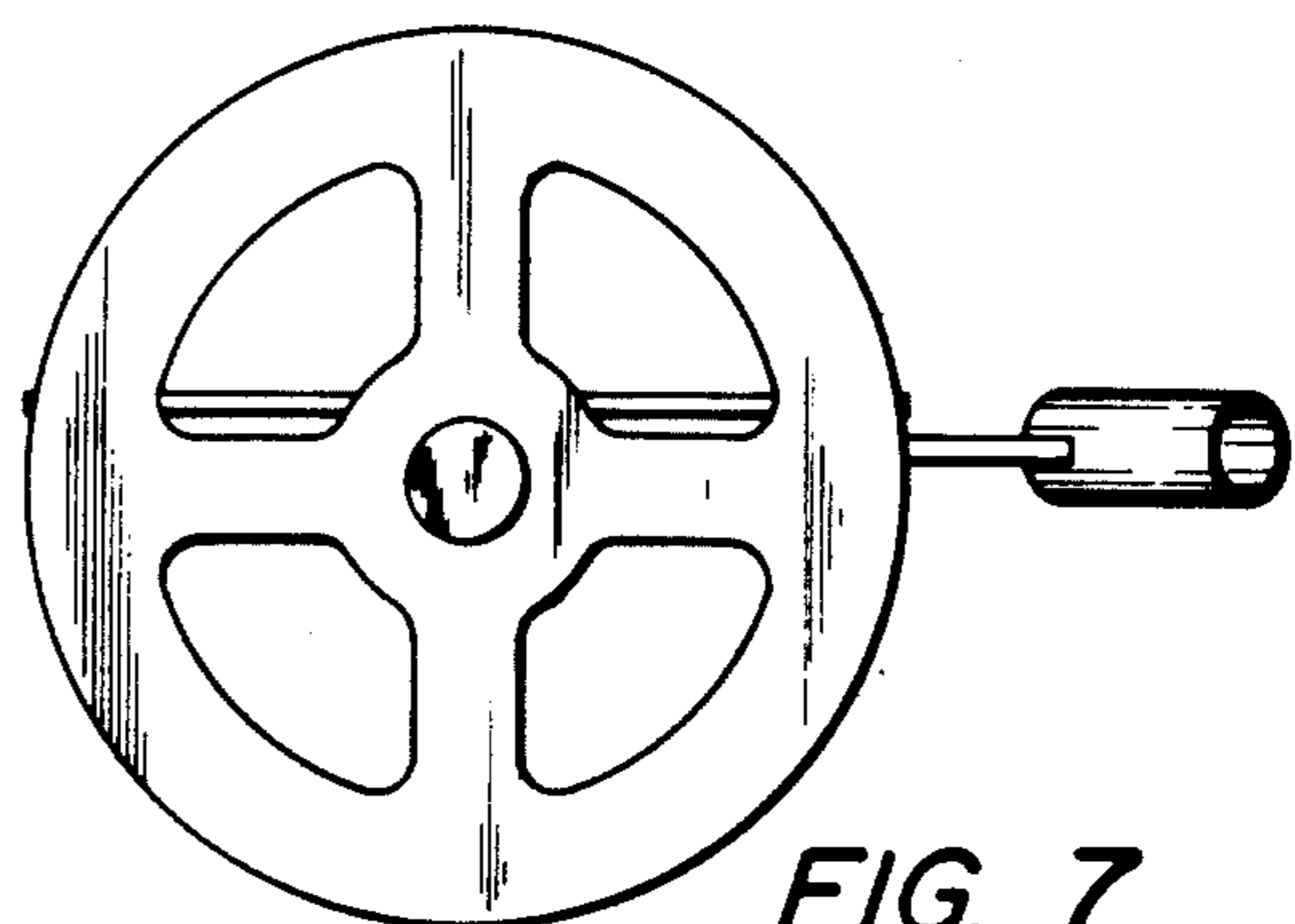
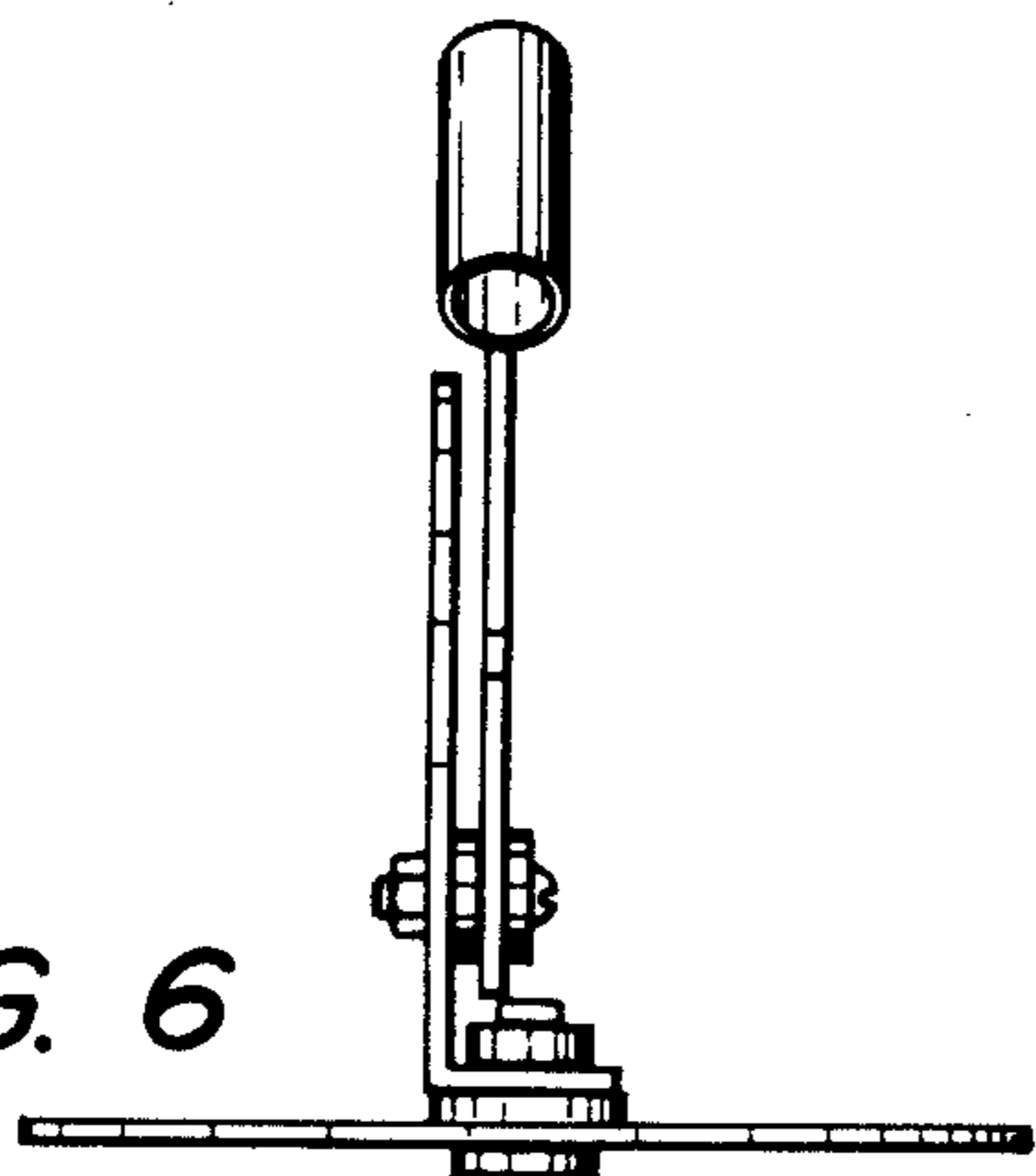


FIG. 7