

[54] **FOOD PROCESSOR**

[75] **Inventor:** Irving R. Belinkoff, Queens Village, N.Y.

[73] **Assignee:** Kidde Consumer Durables Corp., Bala Cynwyd, Pa.

[**] **Term:** 14 Years

[21] **Appl. No.:** 776,333

[22] **Filed:** Mar. 10, 1977

[51] **Int. Cl.** D7-04

[52] **U.S. Cl.** D7/153; D7/154;
D7/159

[58] **Field of Search** D7/153, 154, 156, 157,
D7/158, 159, 160

[56] **References Cited**

U.S. PATENT DOCUMENTS

D. 191,153 8/1961 Gresens et al. D7/154

D. 201,116 5/1965 Hauptli D7/155
D. 226,124 1/1973 Roberts D7/159

OTHER PUBLICATIONS

Stile Industria, #40, 12-1962, p. 30, Mixer and Whisk Machine by Brown Boveri & Co., top row.

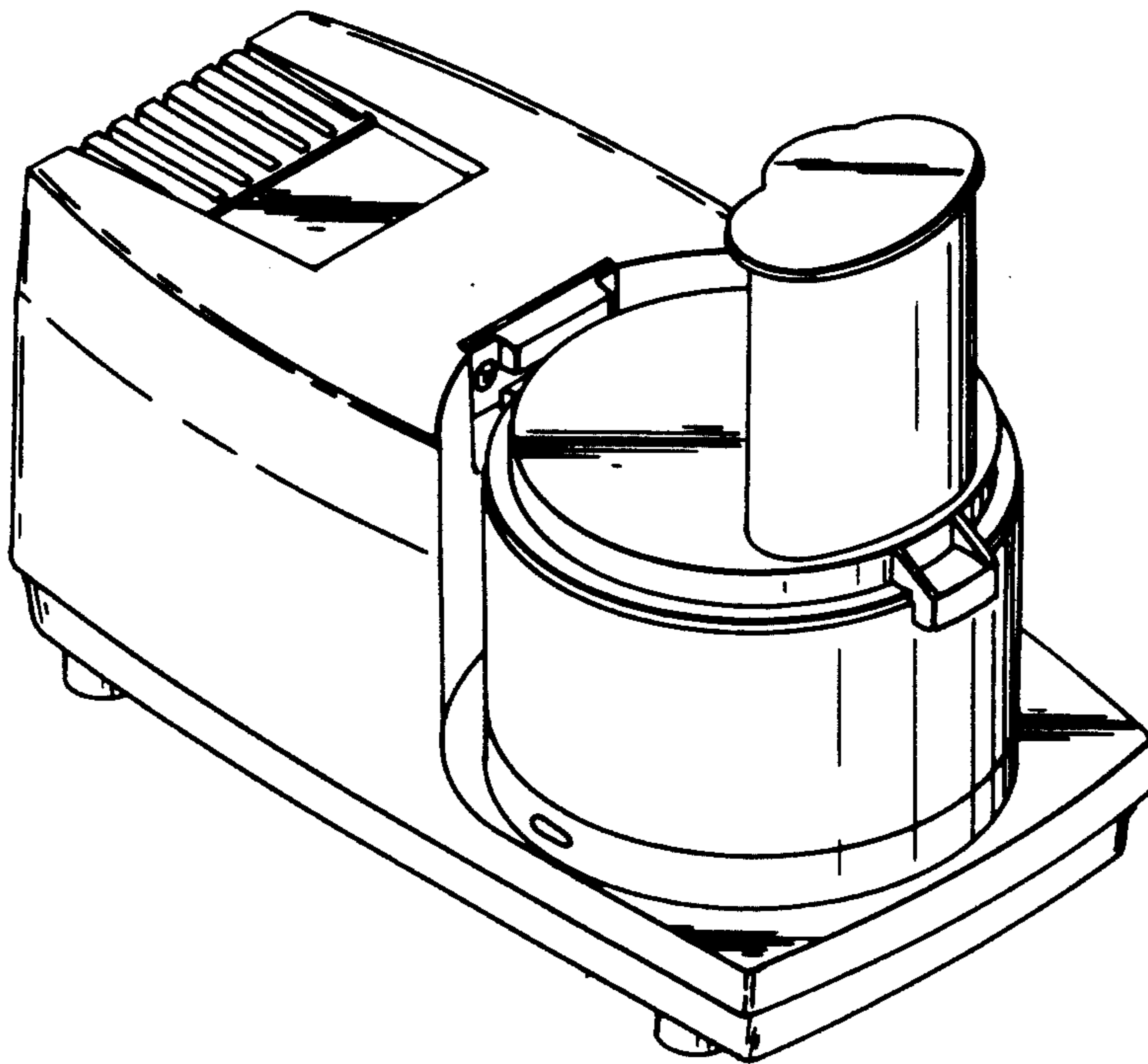
Primary Examiner—Winifred E. Herrmann
Attorney, Agent, or Firm—Arthur H. Seidel

[57] **CLAIM**

The ornamental design for a food processor, substantially as shown and described.

DESCRIPTION

FIG. 1 is a top front perspective view of a food processor showing my new design;
FIG. 2 is a right side elevational view thereof;
FIG. 3 is a top plan view thereof;
FIG. 4 is a bottom plan view thereof;
FIG. 5 is a rear elevational view thereof; and
FIG. 6 is a front elevational view thereof.



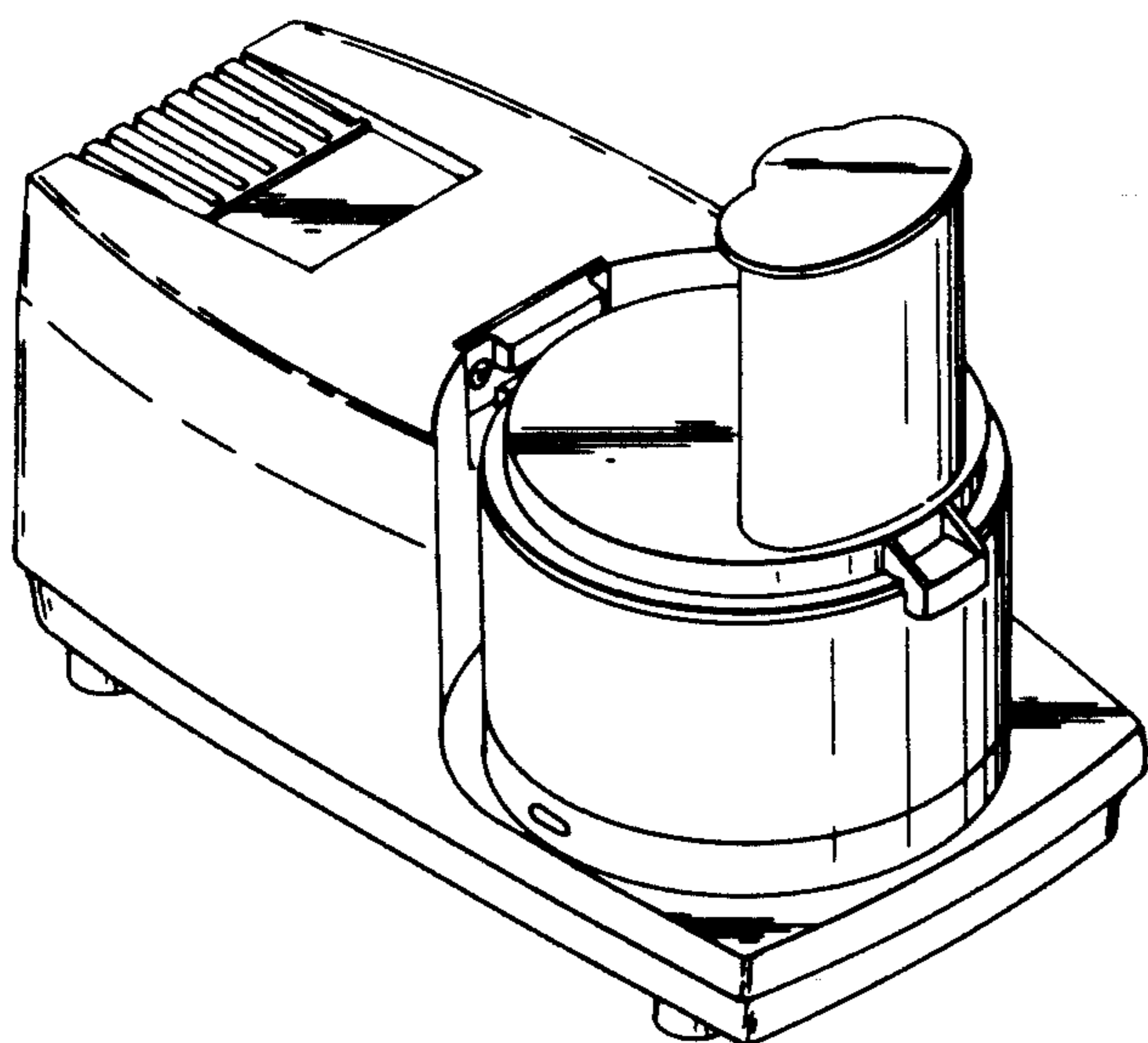


FIG. 1

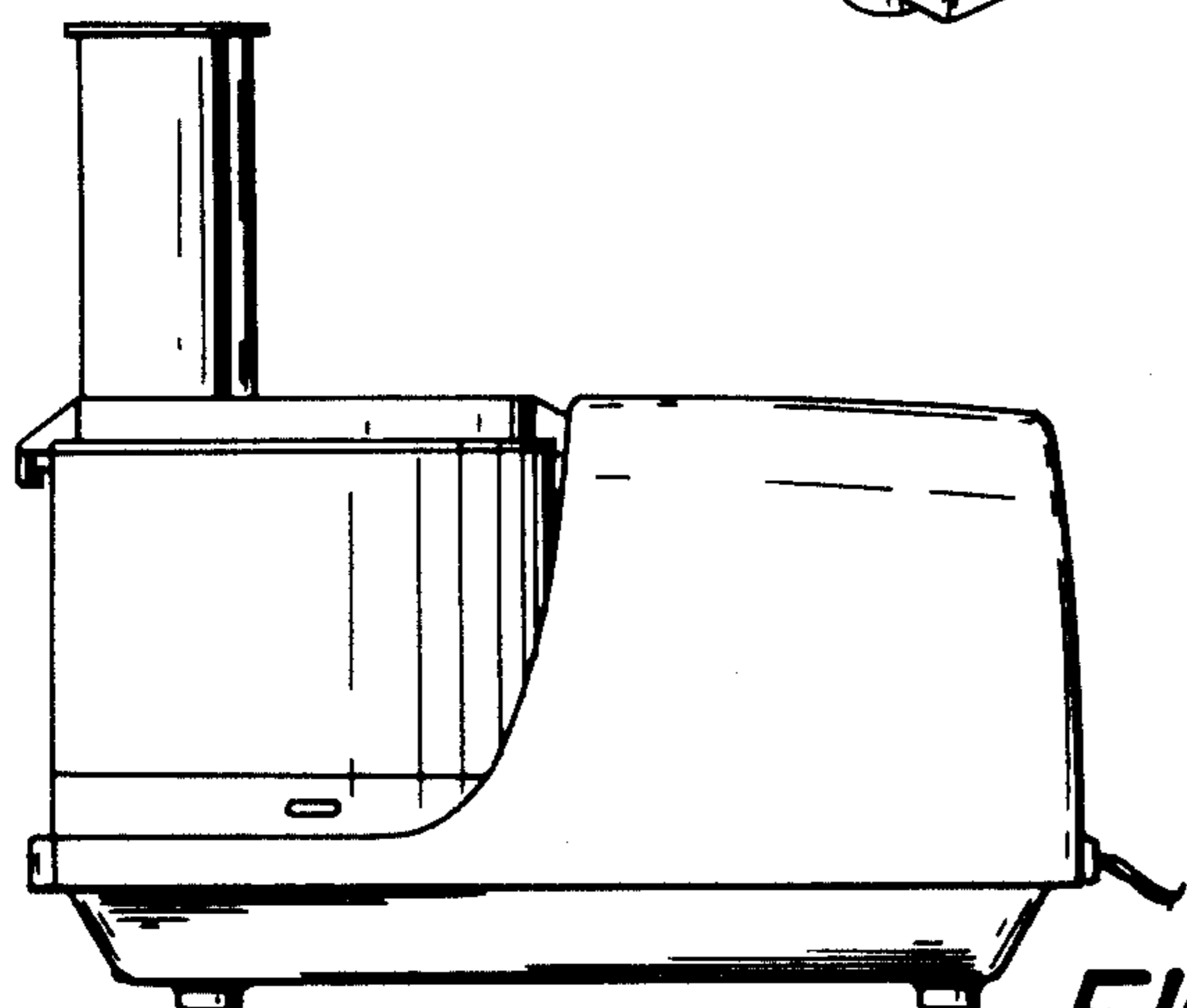


FIG. 2

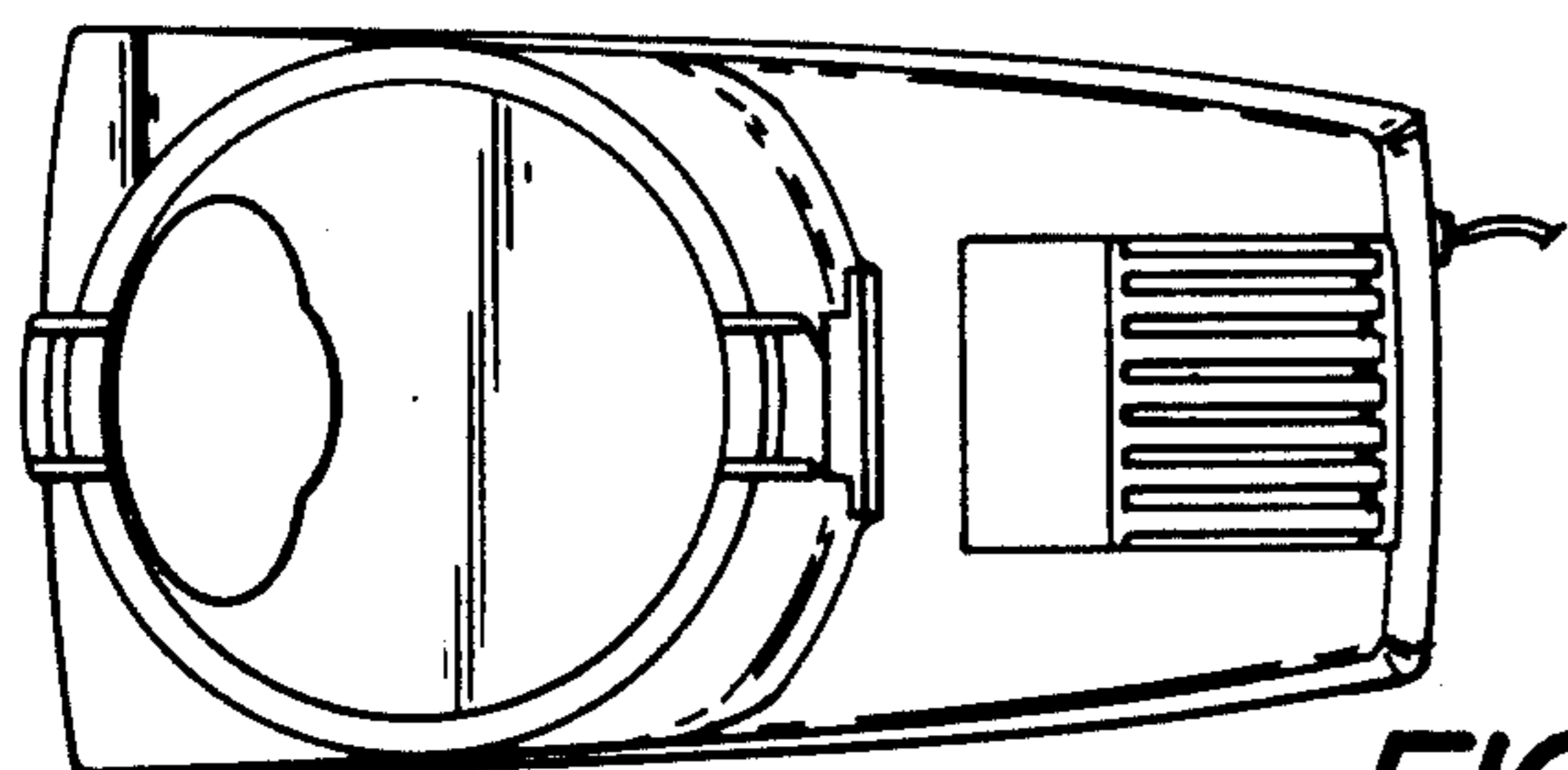


FIG. 3

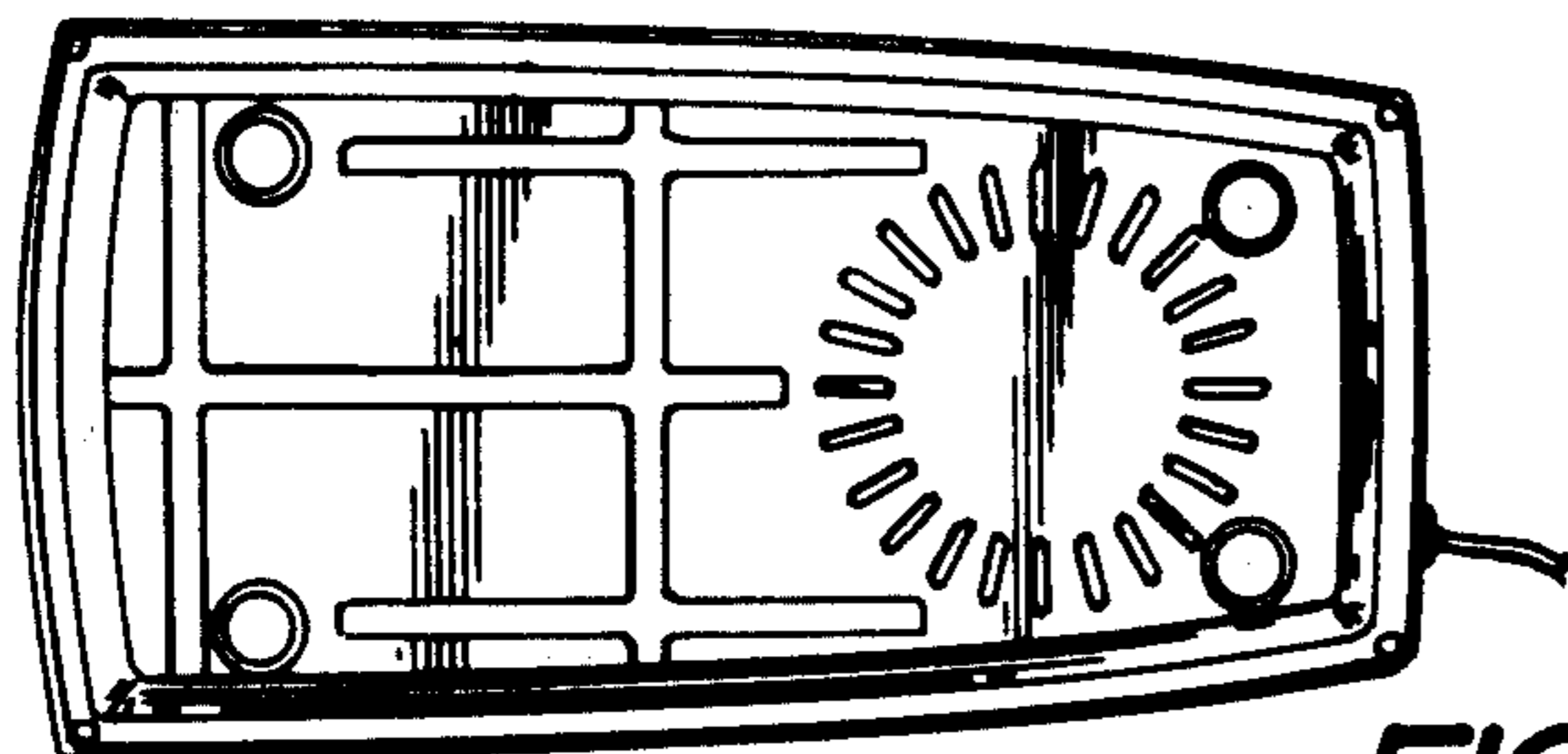


FIG. 4

FIG. 5

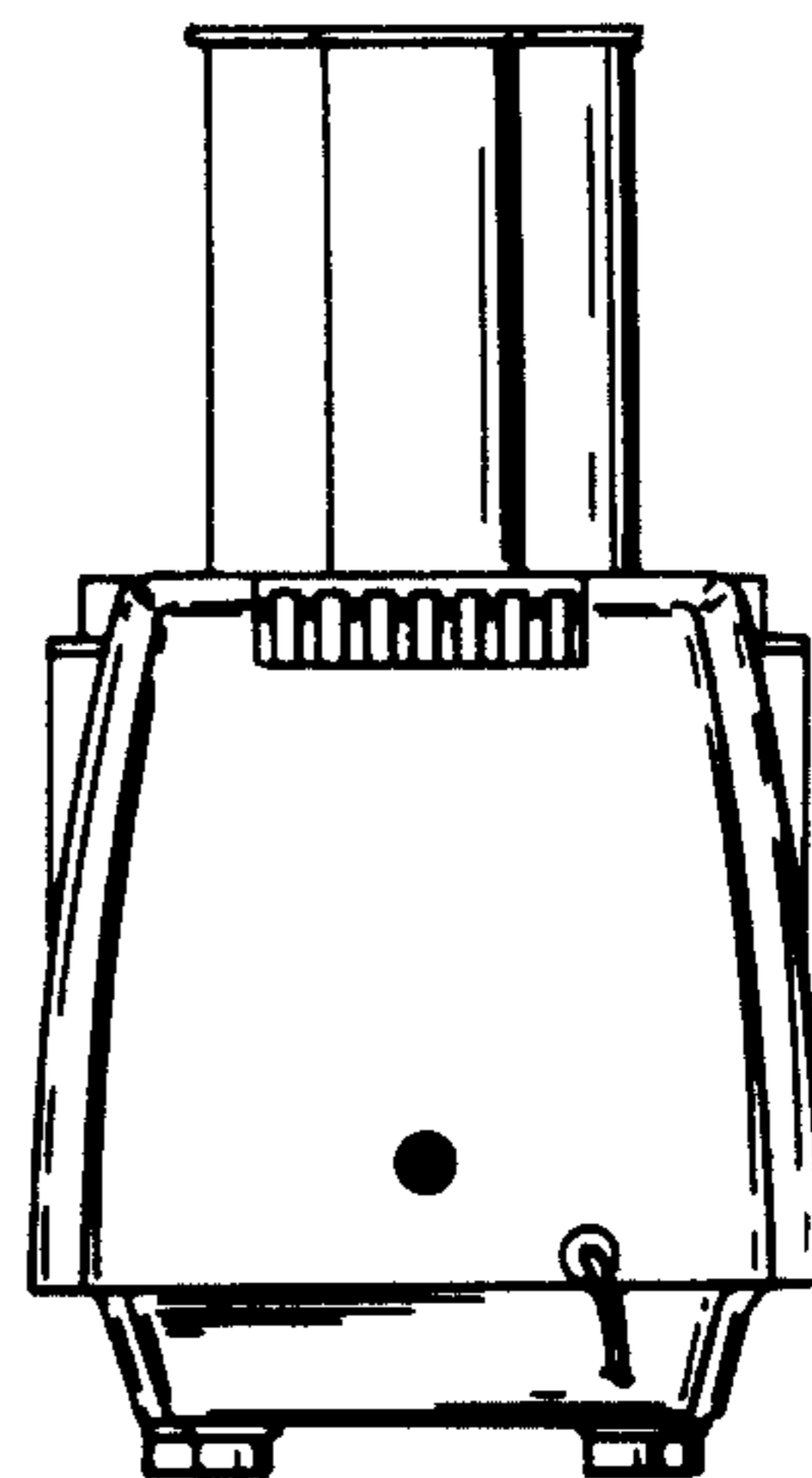


FIG. 6

