

[54] DOUGHNUT COOKER OR SIMILAR ARTICLE

[75] Inventors: Samuel L. McNair; Donald L. Avise, both of Kansas City, Mo.; Foster L. Talge, Lake Quivira, Kans.

[73] Assignee: Dazey Products Company, Industrial Airport, Kans.

[**] Term: 14 Years

[21] Appl. No.: 745,987

[22] Filed: Nov. 26, 1976

[51] Int. Cl. D7-02

[52] U.S. Cl. D7/88

[58] Field of Search D7/85, 86, 87, 88, 89, D7/94, 95, 96, 97, 121, 122, 123, 124; 426/549, 439; 99/374, 383

[56] References Cited

U.S. PATENT DOCUMENTS

- D. 122,260 9/1940 Dickey D7/88
- D. 132,252 5/1942 Faunce D7/89

- D. 175,547 9/1955 Josephson D7/88
- 1,638,673 8/1927 Wilcox 99/382
- 1,663,719 3/1928 Morley 426/549
- 1,966,411 7/1934 Kaufmann 99/382
- 2,376,585 5/1945 Dickey 99/374 X
- 3,236,196 2/1966 Ibex 426/439

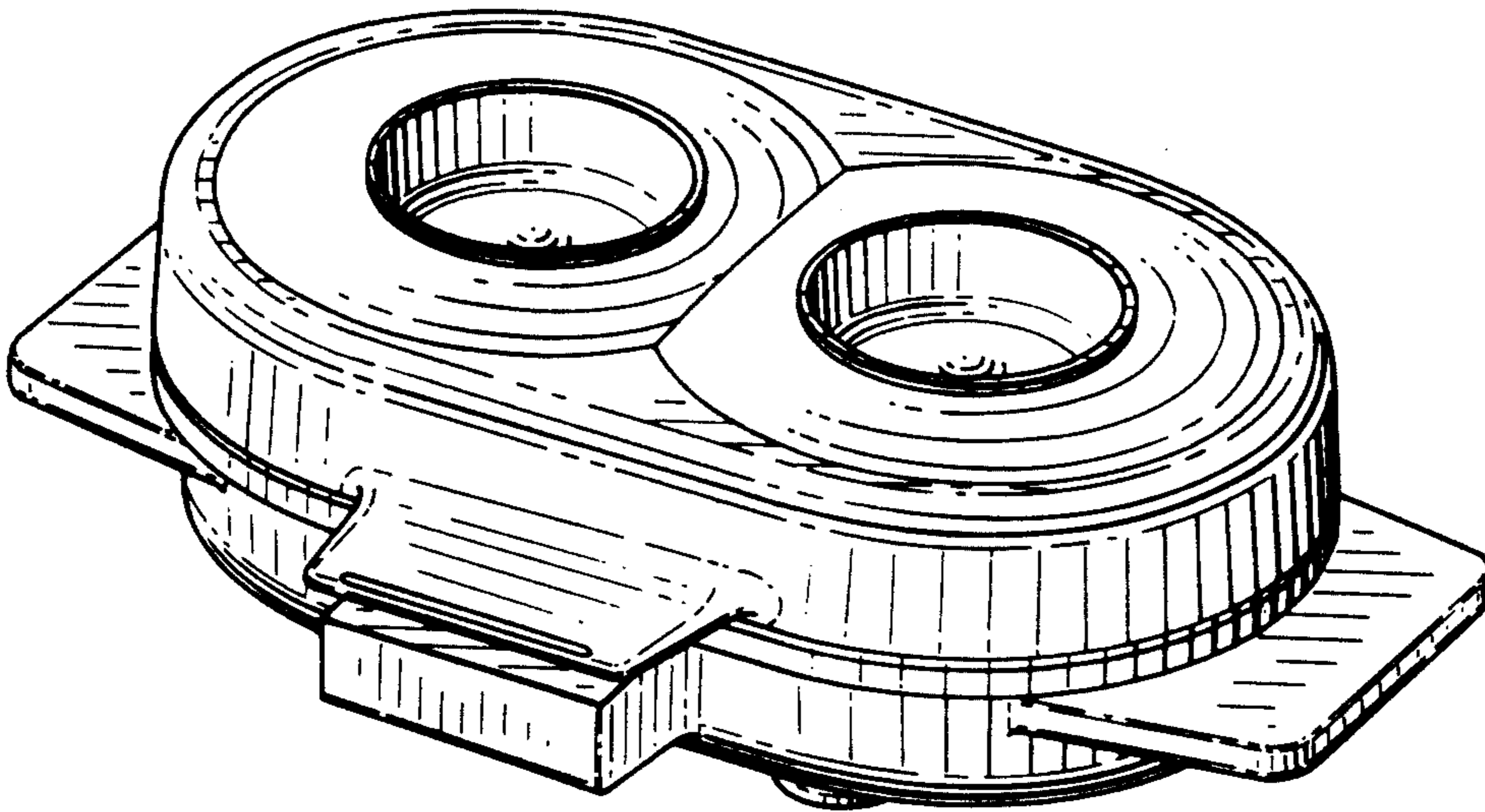
Primary Examiner—Winifred E. Herrmann
Attorney, Agent, or Firm—Gordon D. Schmidt

[57] CLAIM

The ornamental design for a doughnut cooker or similar article, as shown and described.

DESCRIPTION

FIG. 1 is a top front perspective view of a doughnut cooker or similar article showing our new design; FIG. 2 is a top plan view thereof; FIG. 3 is a front elevational view thereof; FIG. 4 is a rear elevational view thereof; and FIG. 5 is a side elevational view thereof, the side elevational views of the doughnut cooker or similar article being identical. The bottom is flat except for the four cylindrical support feet.



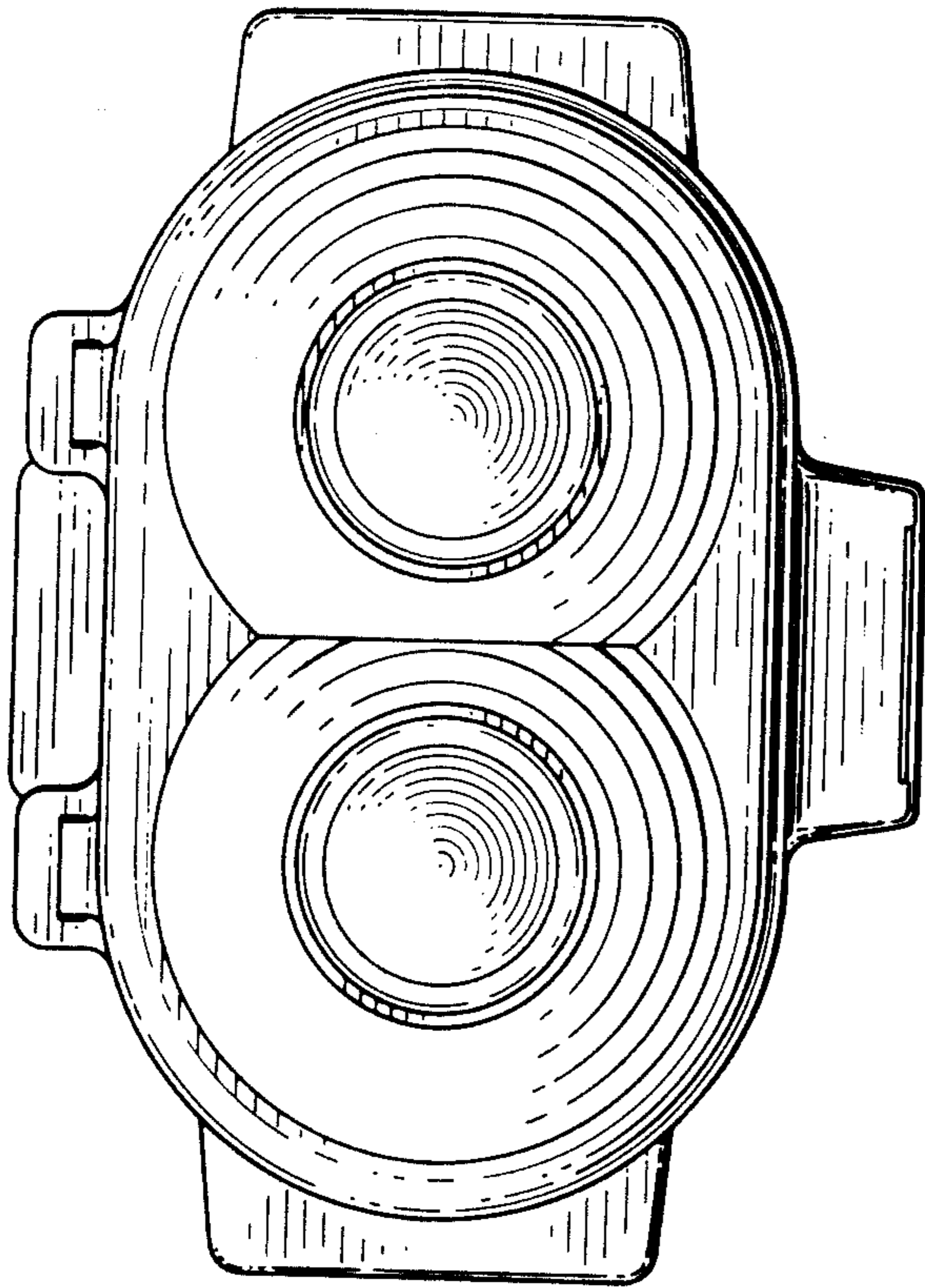


Fig. 1.

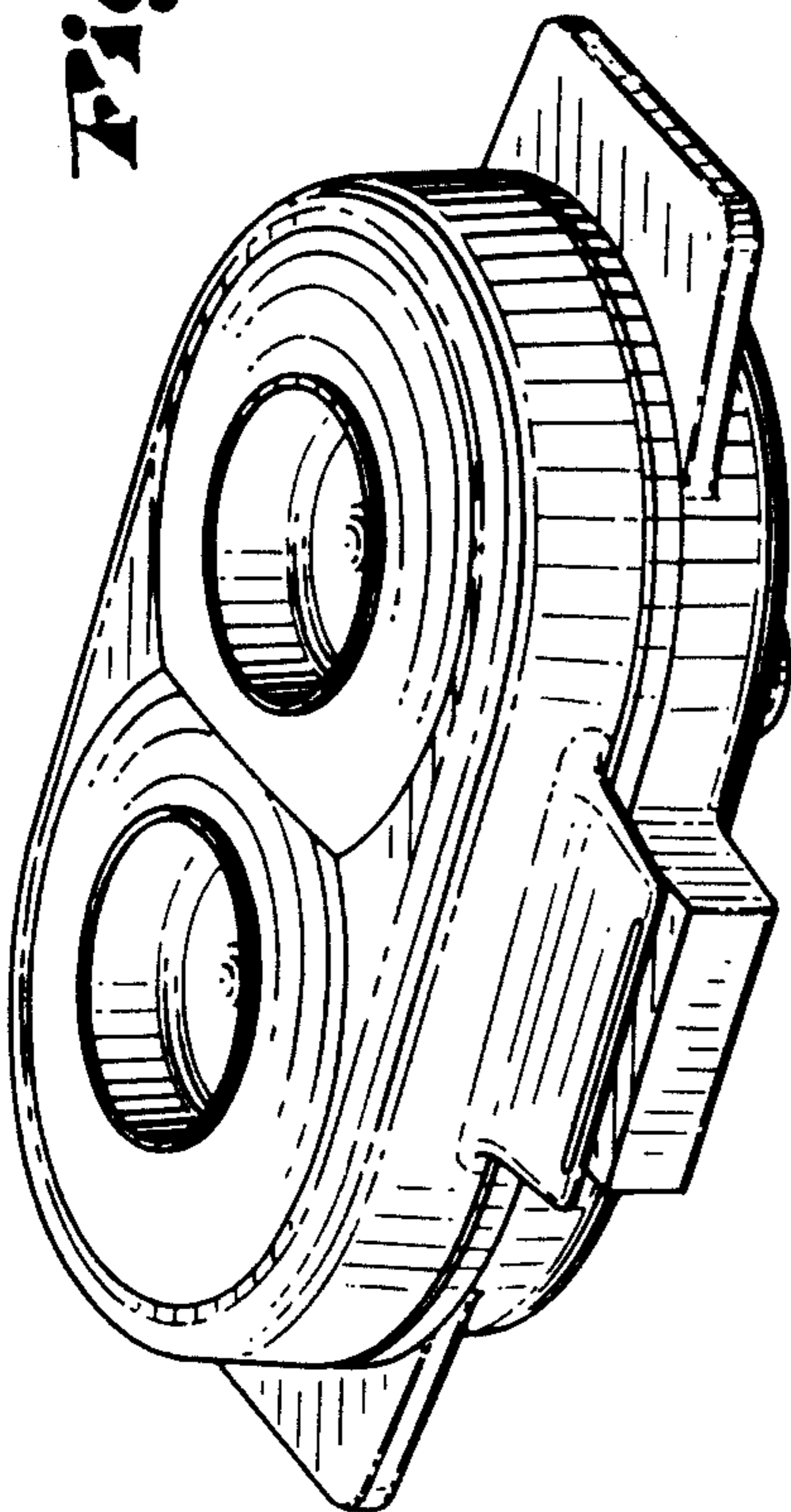


Fig. 2.

Fig. 4.



Fig. 3.

Fig. 5.

