

[54] GEOLOGICAL SPECIMEN CASE

- [75] Inventor: Jon Myhre, Stjordal, Norway
- [73] Assignee: Fangel & Co. A/S, Oslo, Norway
- [**] Term: 3½ Years
- [21] Appl. No.: 869,925
- [22] Filed: Jan. 16, 1978

Related U.S. Application Data

- [63] Continuation-in-part of Ser. No. 822,830, Aug. 8, 1977, abandoned.

[30] Foreign Application Priority Data

Feb. 9, 1977 [NO] Norway 7758062

- [51] Int. Cl. D3—02
- [52] U.S. Cl. D87/1 R; D24/99
- [58] Field of Search D9/189, 184, 232; D87/1 D; 312/330 R, 111, 214, 256; 271/272, 245; 206/512; D24/99

[56] References Cited

U.S. PATENT DOCUMENTS

D. 201,845	8/1965	Shiffman	D9/232
D. 207,279	3/1967	Sellen et al.	D9/185
D. 221,268	7/1971	Heaton	D87/1 R
D. 223,652	5/1972	Jaffe et al.	D9/189
D. 242,657	12/1976	Kurtz	D87/1 R

OTHER PUBLICATIONS

Biological Materials, Carolina Biological Supply Co., 1966-1967, Cat. No. 37, p. 446, Geological Specimen Collection.

Primary Examiner—Bernard Ansher
Attorney, Agent, or Firm—John J. Dennemeyer

[57] CLAIM

The ornamental design of a geological specimen case, as shown and described.

DESCRIPTION

FIG. 1 is a top perspective view of a geological specimen case showing my new design;
 FIG. 2 is a perspective view thereof, with one of the covers in an open position;
 FIG. 3 is a perspective view thereof with two of the covers in an open position;
 FIG. 4 is a top plan view thereof, with the covers omitted for ease of illustration;
 FIG. 5 is a right end elevation thereof;
 FIG. 6 is a front elevation thereof;
 FIG. 7 is a bottom plan view thereof;
 FIG. 8 is a cross section taken on the line 8—8 of FIG. 4.
 FIG. 9 is a top plan view of one of the cover members shown separately for ease of illustration;
 FIG. 10 is a front elevation thereof;
 FIG. 11 is a left end elevation thereof; and
 FIG. 12 is a rear elevation thereof.

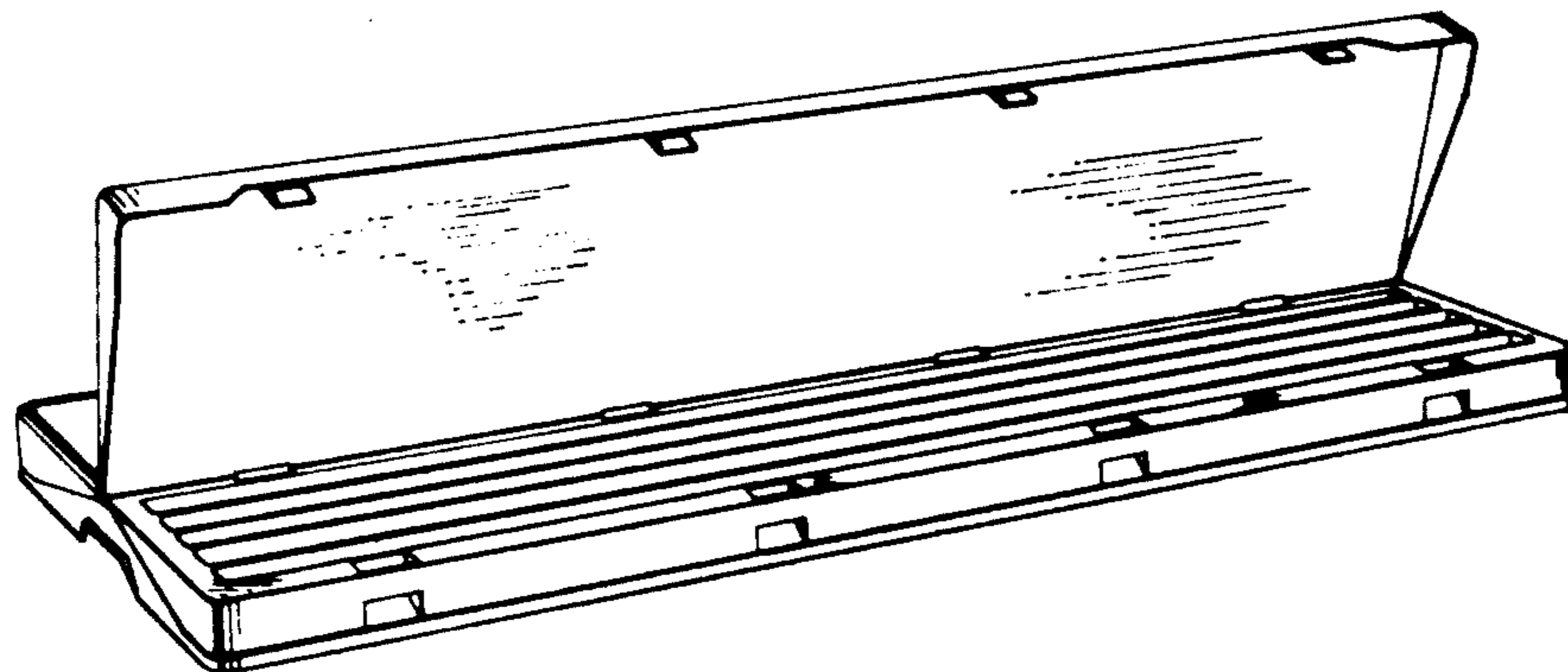
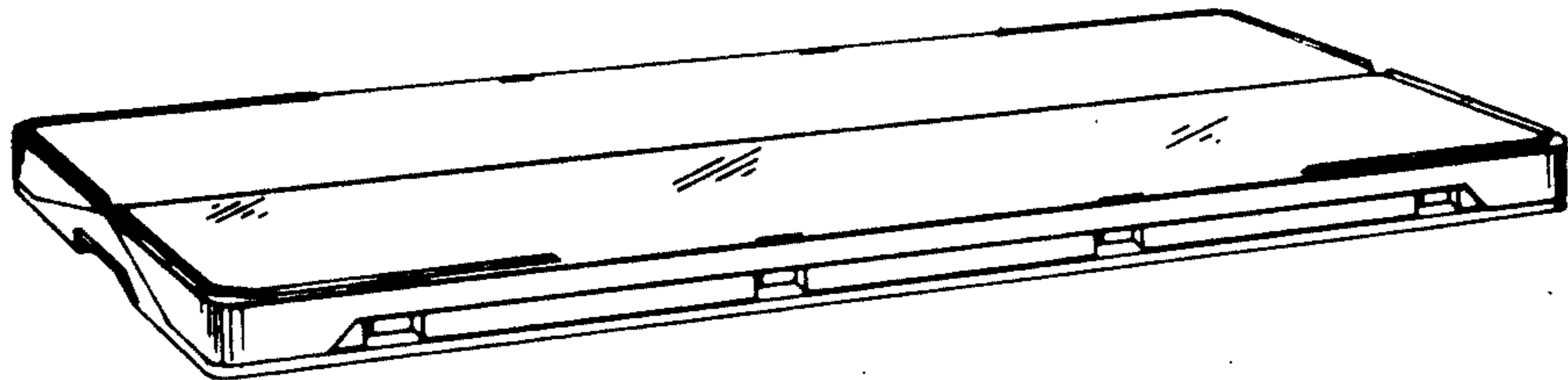


Fig. 1.

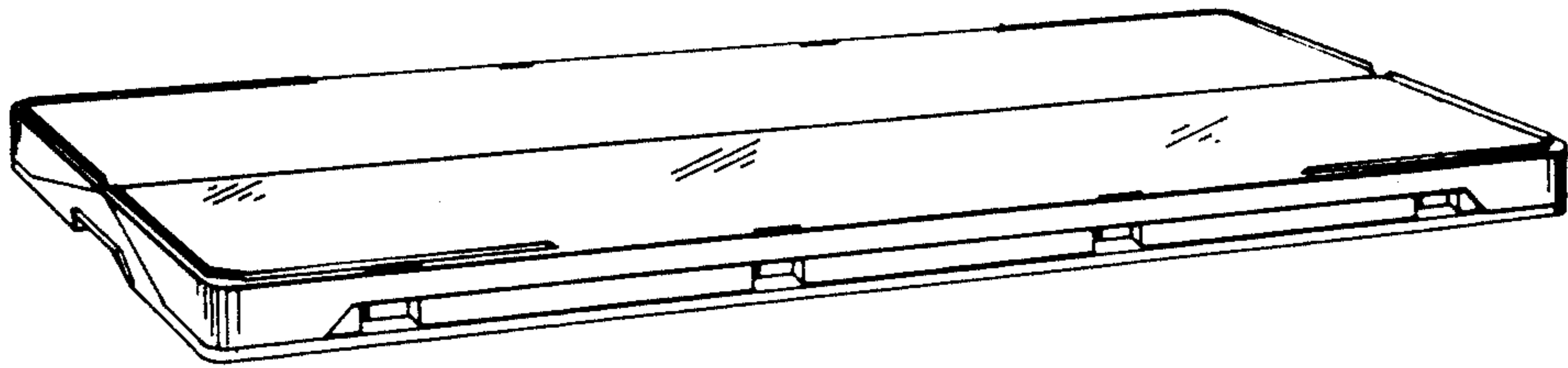


Fig. 2.

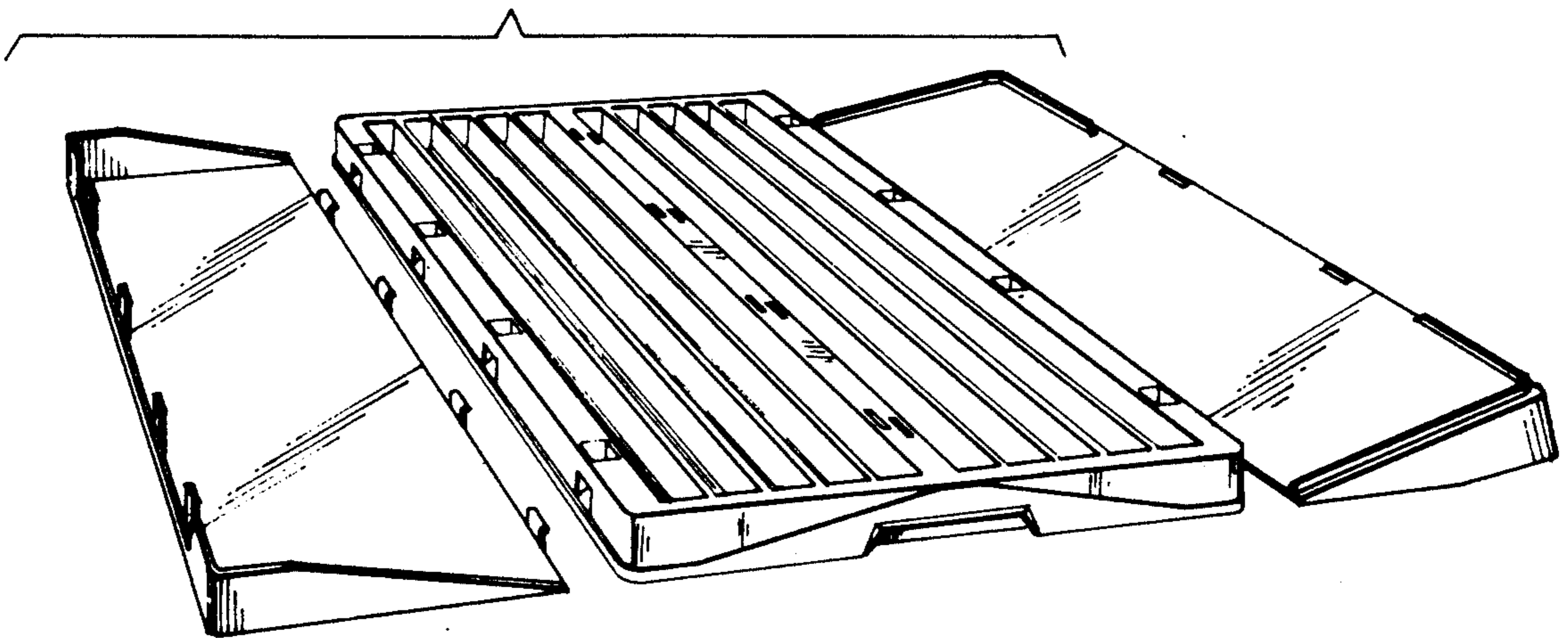
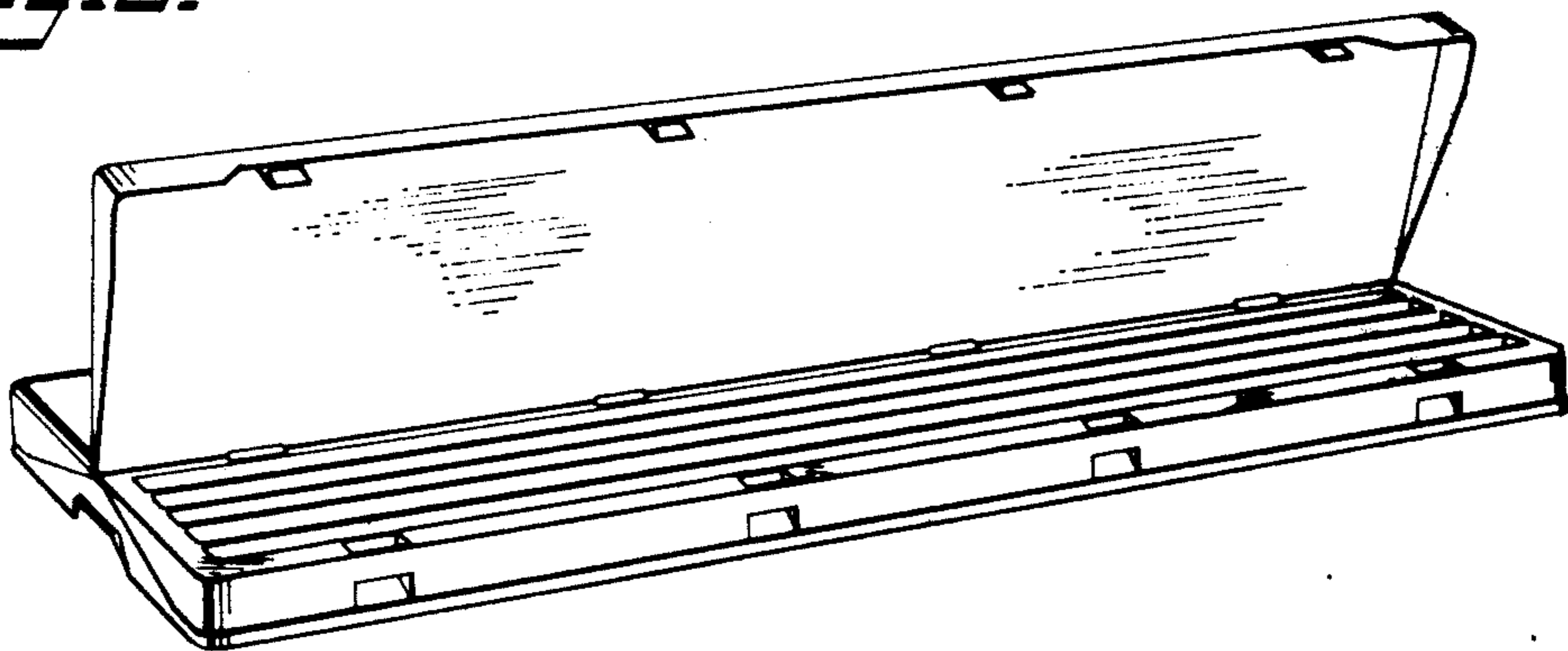


Fig. 3.

Fig. 4.

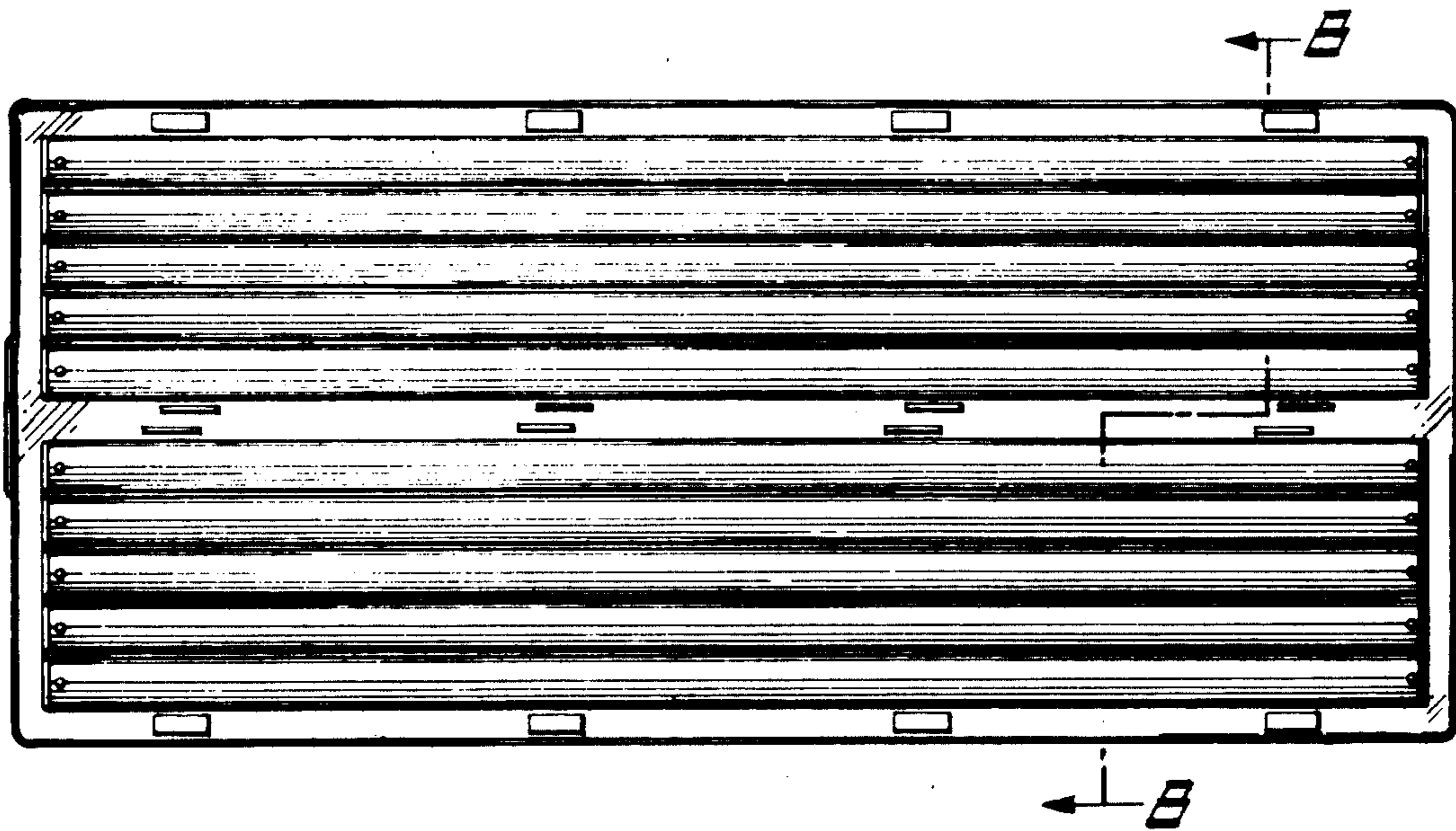


Fig. 5.

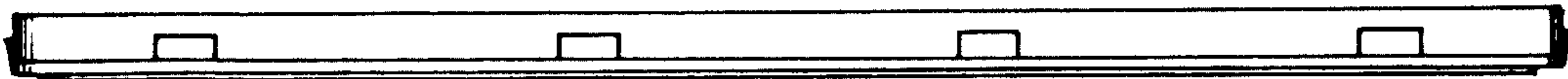


Fig. 6.

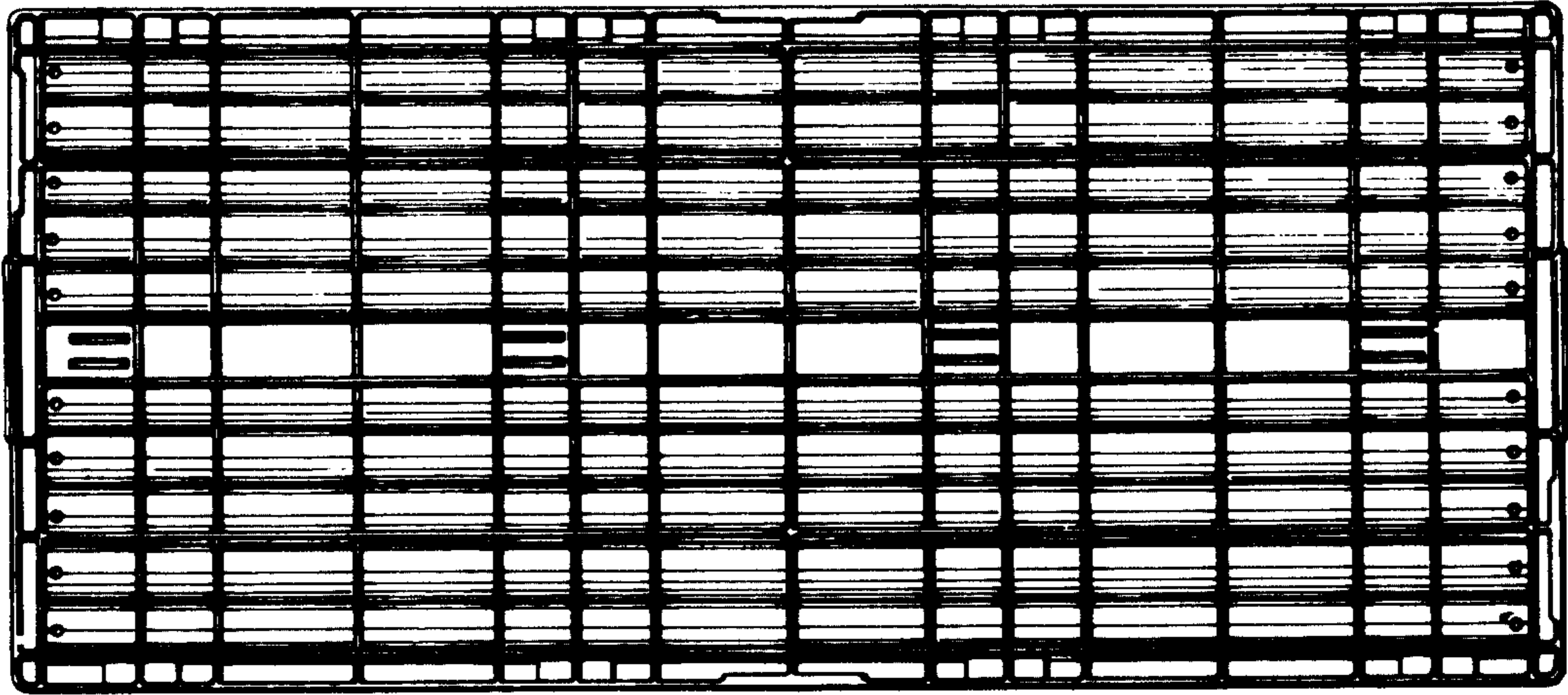


Fig. 7.



Fig. 8.

Fig. 9.

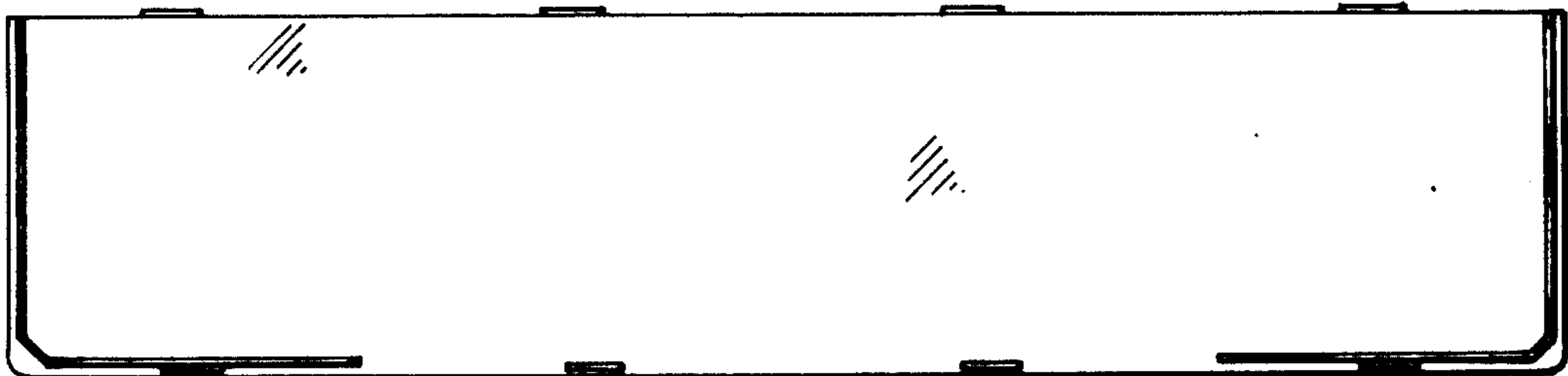


Fig. 10.

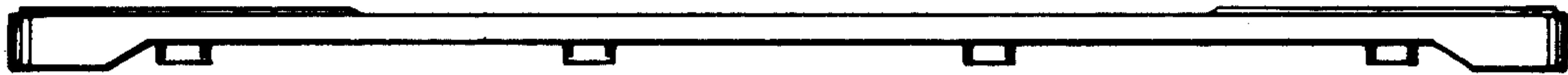


Fig. 11.

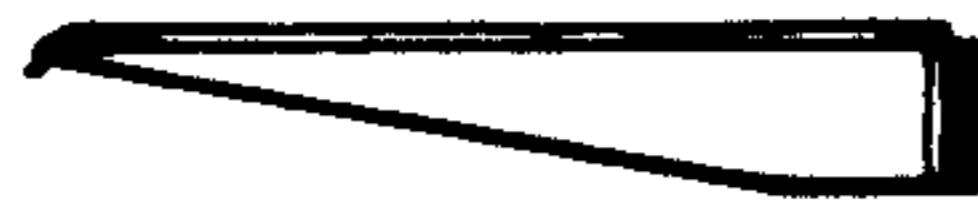


Fig. 12.

