

[54] CARRYING CASE FOR TAPE CASSETTES

[75] Inventor: Ole Winther, Helsingör, Denmark

[73] Assignee: Esselte Obergs AB, Stockholm, Sweden

[*] Notice: The portion of the term of this patent subsequent to Apr. 18, 1992, has been disclaimed.

[**] Term: 14 Years

[21] Appl. No.: 713,551

[22] Filed: Aug. 11, 1976

[30] Foreign Application Priority Data

Feb. 16, 1976 [SE] Sweden 760362

[51] Int. Cl. D3-02

[52] U.S. Cl. D87/1 D; D87/1 R

[58] Field of Search D87/1 D, 1 R; 206/387, 206/564; 220/334, 255; 312/DIG. 33; 211/40, 163; D6/130, 188

[56] References Cited

U.S. PATENT DOCUMENTS

1,893,527	1/1933	Shriver	312/DIG. 33
2,044,661	6/1936	Bentz	312/DIG. 33
3,567,063	3/1971	Kovach	D87/1 D
4,040,518	8/1977	Carter	206/387

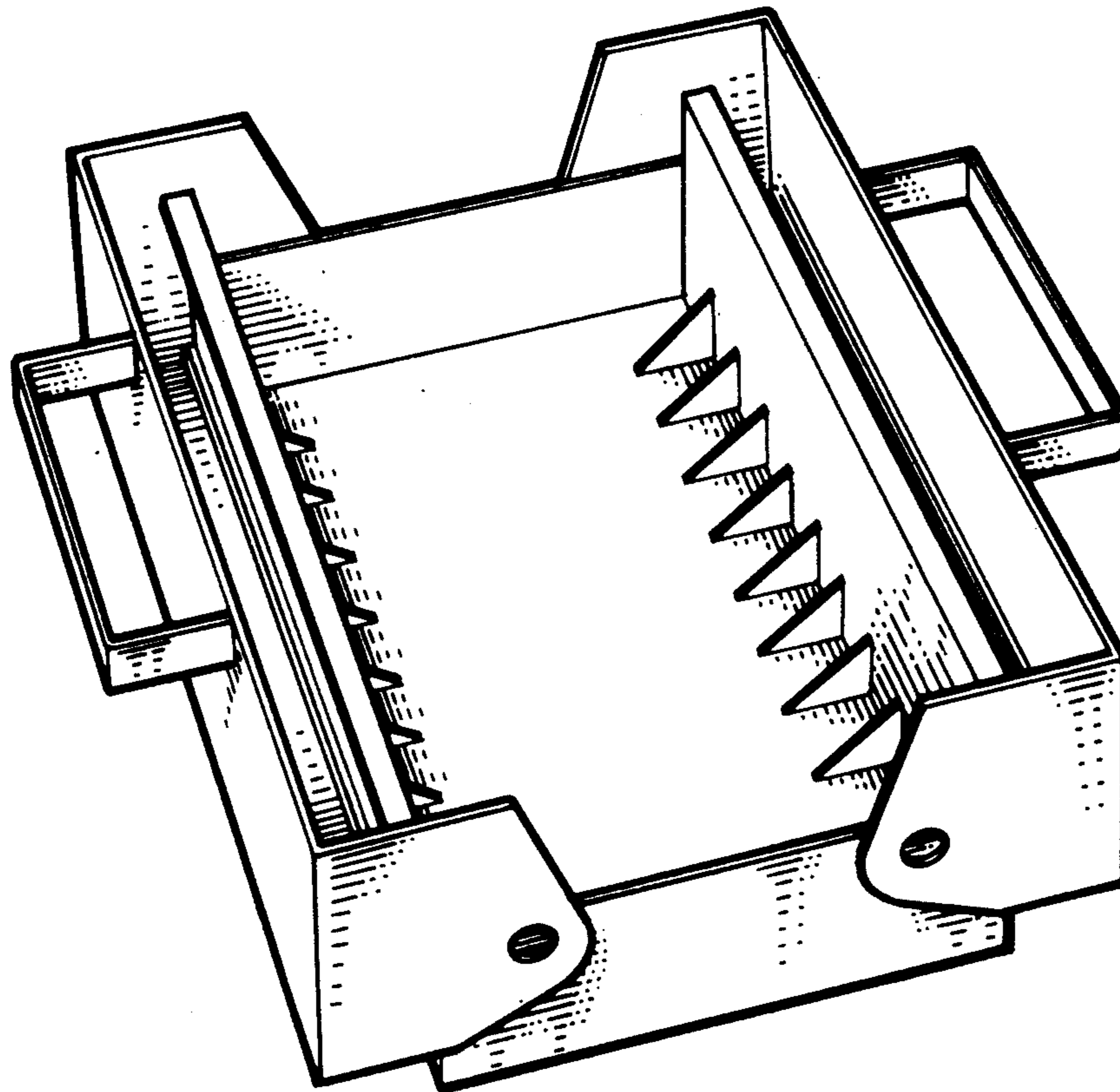
Primary Examiner—Joel Stearman
Assistant Examiner—George P. Word
Attorney, Agent, or Firm—Richard C. Sughrue

[57] CLAIM

The ornamental design for a carrying case for tape cassettes, as shown and described.

DESCRIPTION

FIG. 1 is a perspective view of a carrying case for tape cassettes showing my new design in an open condition; FIG. 2 is an inverted bottom rear perspective view thereof; and FIG. 3 is a perspective view of FIG. 1 in a closed condition.



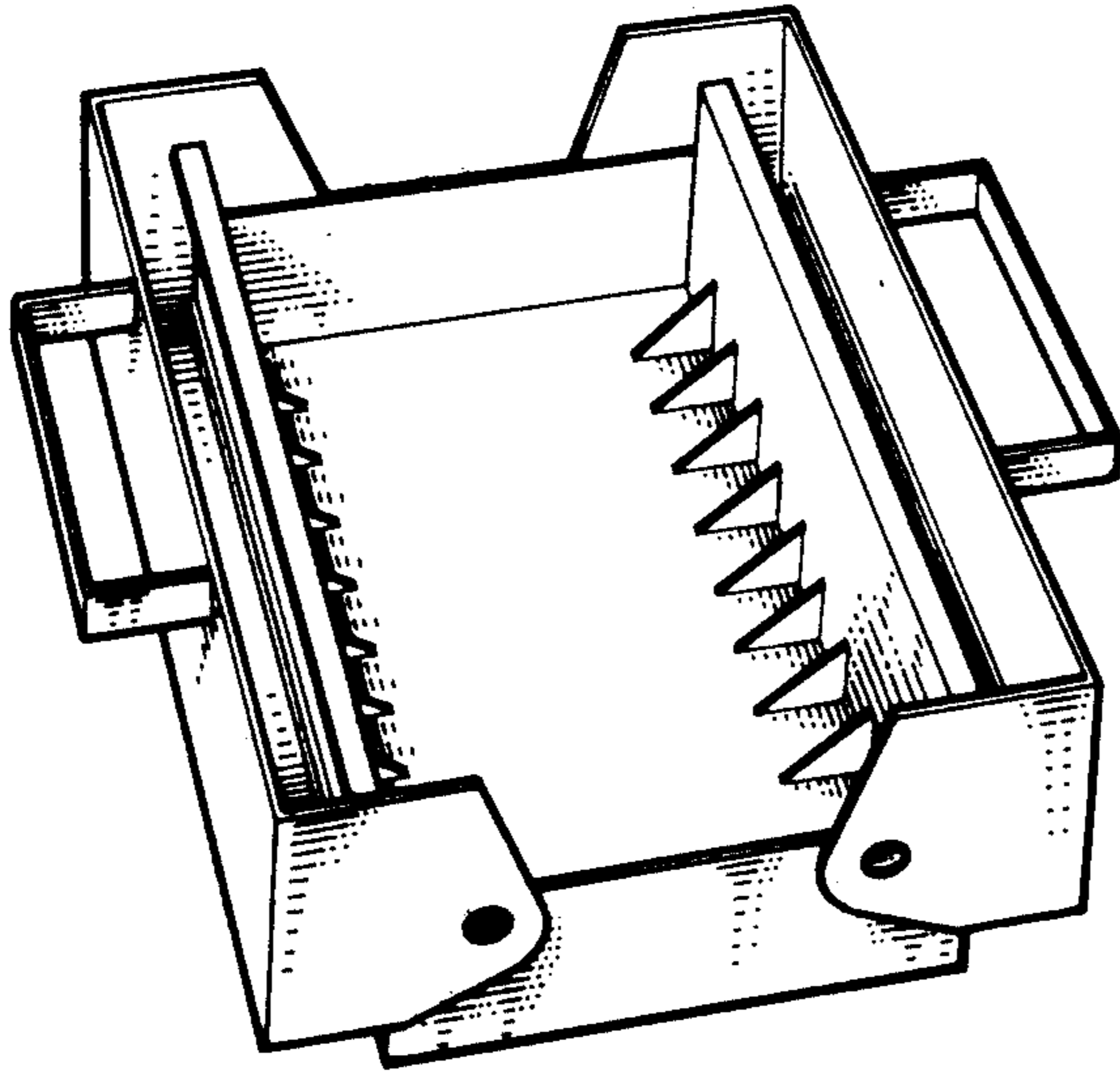


FIG. 1

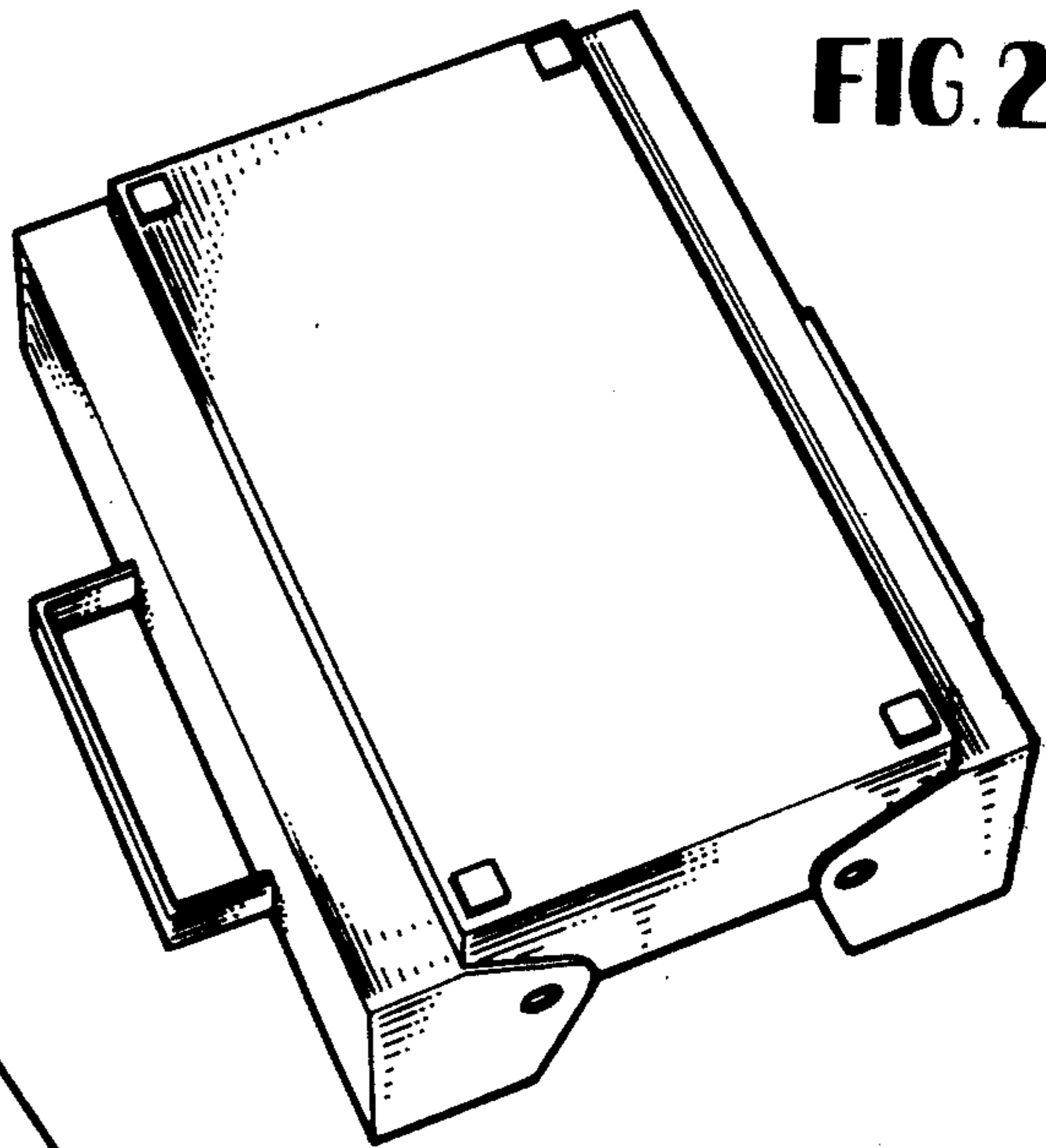


FIG. 2

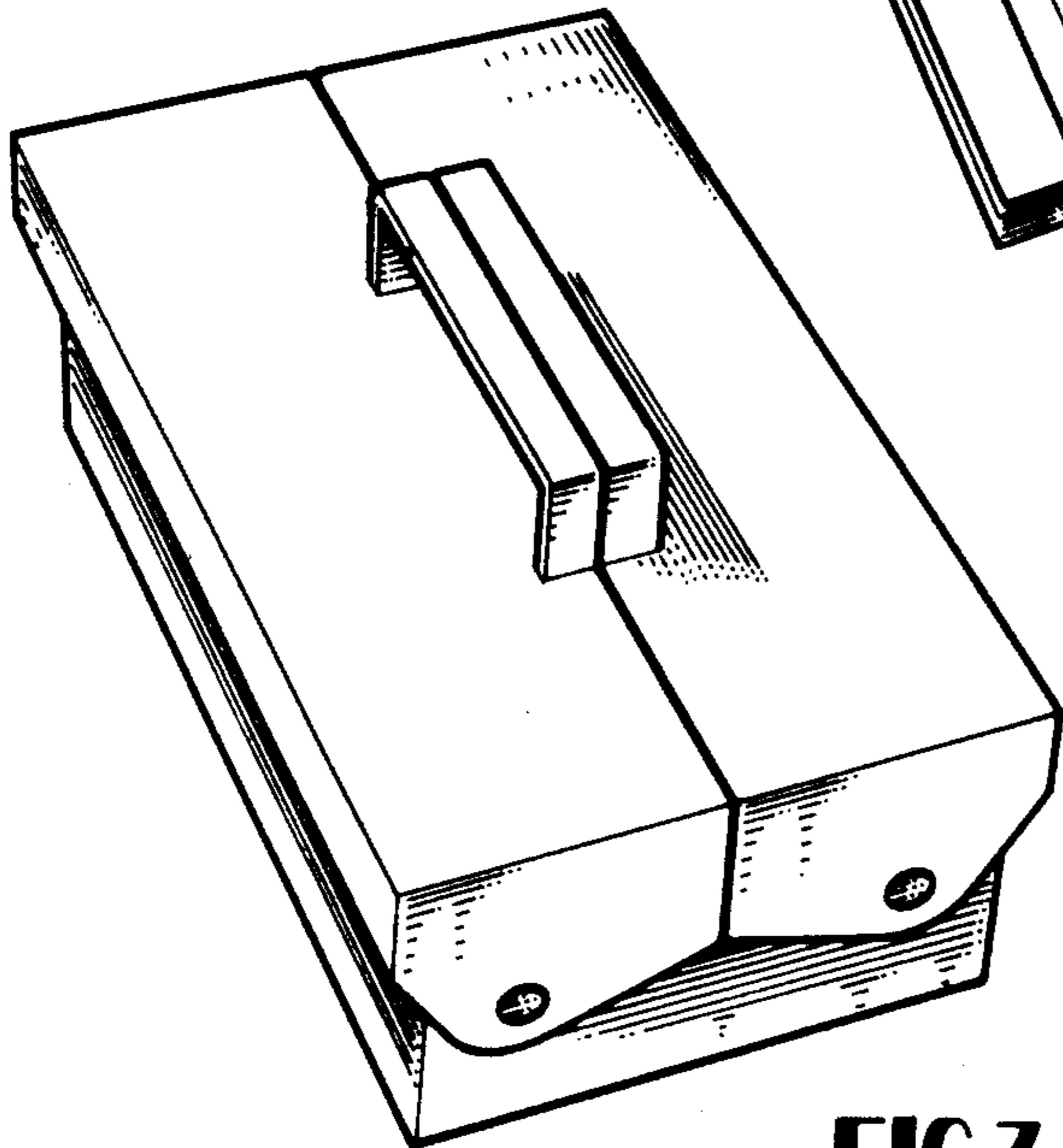


FIG. 3